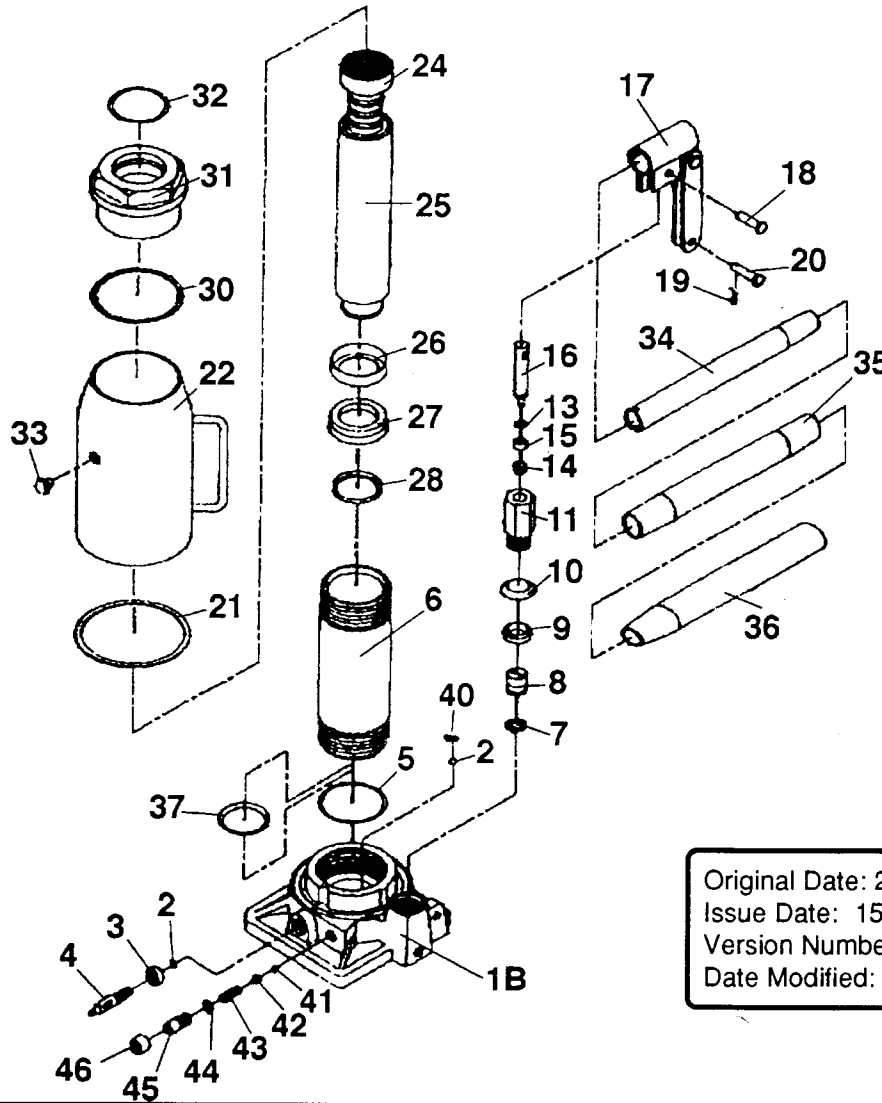


# SEALEY

# Quality MACHINERY

## SJ10 & SJ12 BOTTLE JACKS PARTS LIST & DIAGRAM



Original Date: 24/06/93  
Issue Date: 15/01/97  
Version Number: 0  
Date Modified: 16/12/96

Index no.	Stock Code	Description	Qty
1B	SJ12/01B	Base	1
2	SJ8/02	Ball, 1/4"	2
3	SJ8/03	Seal	1
4	SJ8/04	Release Valve	1
5	SJ12/05	O-Ring	1
6	SJ12/06	Cylinder	1
7	SJ8/07	Washer	1
8	SJ12/08	Check Valve Kit	1
9	SJ8/09	Seal	1
10	SJ8/10	Cap Washer	1
11	SJ8/11	Pump Cylinder	1
13	SJ12/13	O-Ring	1
14	SJ12/14	Cup Seal	1
15	SJ12/15	Back-up Ring	1
16	SJ8/16	Pump Plunger	1
17	SJ12/17	Handle Sleeve	1
18	SJ8/18	Pin	2
19	SJ8/19	Cotter Pin	1
20	SJ8/20	Pin	1
21	SJ12/21	Packing	1

Index no.	Description	Qty	
22	SJ12/22	Reservoir	1
24	SJ12/24	Extension Screw	1
25	SJ12/25	Ram	1
26	SJ12/26	Bushing	1
27	SJ12/27	Cup Seal	1
28	SJ12/28	Cap Washer	1
30	SJ12/30	Packing	1
31	SJ12/31	Top Nut	1
32	SJ12/32	O-Ring	1
33	SJ8/33	Filler Plug	1
34	SJ12/34	Handle	1
35	SJ12/35	Handle	1
37	SJ12/37	"L" Ring	1
40	SJ12/40	Washer	1
41	SJ12/41	Ball, 3/16"	1
42	SJ12/42	Spring Plunger	1
43	SJ12/43	Spring Safety Valve	1
44	SJ12/44	O-Ring	1
45	SJ12/45	Screw Safety Valve	1