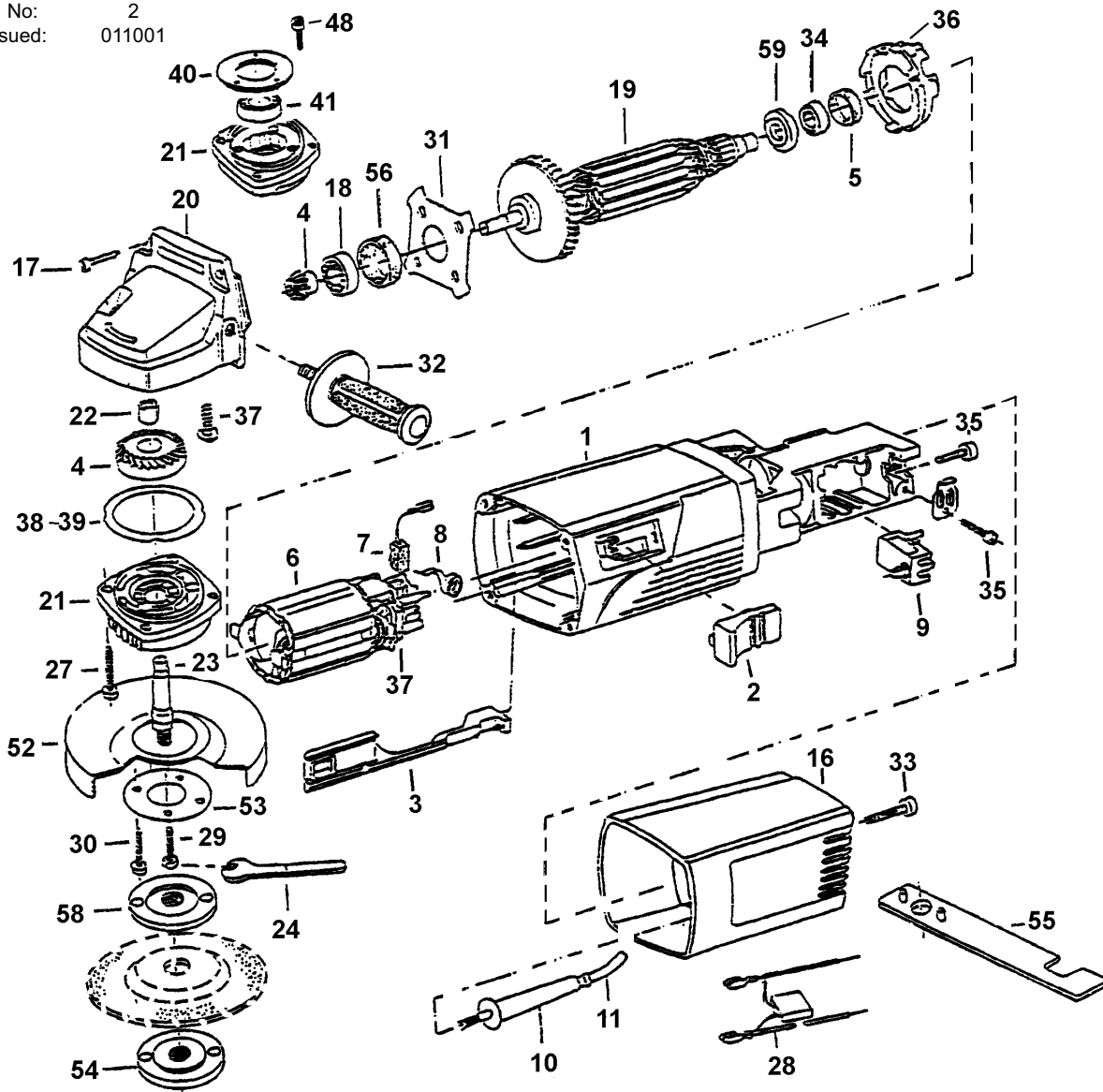


Version No: 2  
 Date Issued: 011001



Item	Part No.	Description	Item	Part No.	Description	Item	Part No.	Description
1	332/134331031	Motor cover	20	332/134331011	Gear box	37	332/134329111	Brush holder 5x10mm
2	332/134324021	Switch control button	21	332/134329171	Aluminium gear cover	38	332/134311591	Compensation washer 0.1mm
3	332/134324201	Switch control	22	332/713721080	Bushing	39	332/134311592	Compensation washer 0.2mm
4	332/134319283	Bevel gears set	23	332/134313011	Disc spindle	40	332/134321311	Ring
5	332/130131601	Rubber ring	24	332/135705211	Wrench 8mm	41	B/6201ZZ	Ball bearing
6	332/134459023	Field 230V 800W	27	332/844800048	Screw 4x16TP	48	332/849081250	Screw M4x10
7	332/134339071	Brush 5x10mm (pair)	28	332/134329081	Condenser group	52	332/134315801	Wheel guard D115mm
8	332/134312251	Brush spring	29	332/840201285	Screw 5x12 DIN931	53	332/134315781	Fastening disc
9	332/76325021	Switch	30	332/849081250	Screw 4,5x14TP for 21	54	332/134313391	Nut flange
10	332/134314181	Sleeve	31	332/134311341	Ball bearing cover	55	332/134449521	Spanner
11	332/767670105	Power cable	32	332/910560100	Auxiliary handle	56	332/134321561	Rubber ring
16	332/134311061	Cover	33	332/844800050	Screw 4x20TP	58	332/134313141	Seating flange
17	332/844800054	Screw 4-4,5x30TP	34	B/607ZZ	Ball bearing	59	332/134321861	Sealing ring
18	B/609ZZ	Ball bearing	35	332/844800027	Screw 3,5x14TP			
19	332/134319036	Armature 230V 800W	36	332/134312611	Air guide			

**NOTE:** It is our policy to continually improve products and as such we reserve the right to alter data, specifications and component parts without prior notice.



01284 757500



01284 703534

E-mail: [sales@sealey.co.uk](mailto:sales@sealey.co.uk)