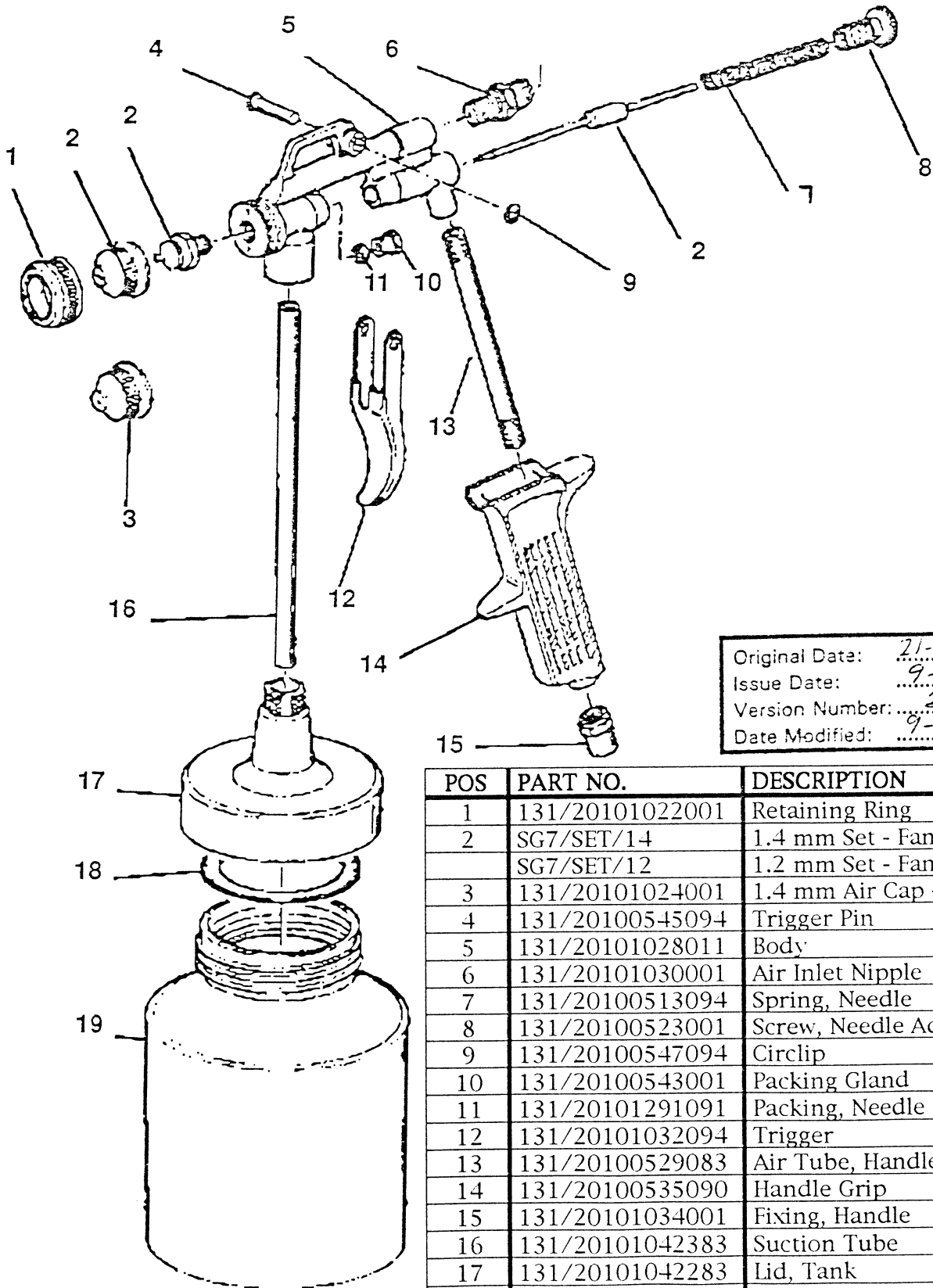


# SG7 LOW PRESSURE SPRAYGUN



Original Date:	21-7-92
Issue Date:	9-9-93
Version Number:	2
Date Modified:	9-9-93

POS	PART NO.	DESCRIPTION
1	131/20101022001	Retaining Ring
2	SG7/SET/14	1.4 mm Set - Fan (STD)
	SG7/SET/12	1.2 mm Set - Fan
3	131/20101024001	1.4 mm Air Cap - Rose
4	131/20100545094	Trigger Pin
5	131/20101028011	Body
6	131/20101030001	Air Inlet Nipple
7	131/20100513094	Spring, Needle
8	131/20100523001	Screw, Needle Adjusting
9	131/20100547094	Circlip
10	131/20100543001	Packing Gland
11	131/20101291091	Packing, Needle
12	131/20101032094	Trigger
13	131/20100529083	Air Tube, Handle
14	131/20100535090	Handle Grip
15	131/20101034001	Fixing, Handle
16	131/20101042383	Suction Tube
17	131/20101042283	Lid, Tank
18	131/20101042096	Gasket, Lid
19	131/20101044083	Tank, 1000cc (Screw Top)

