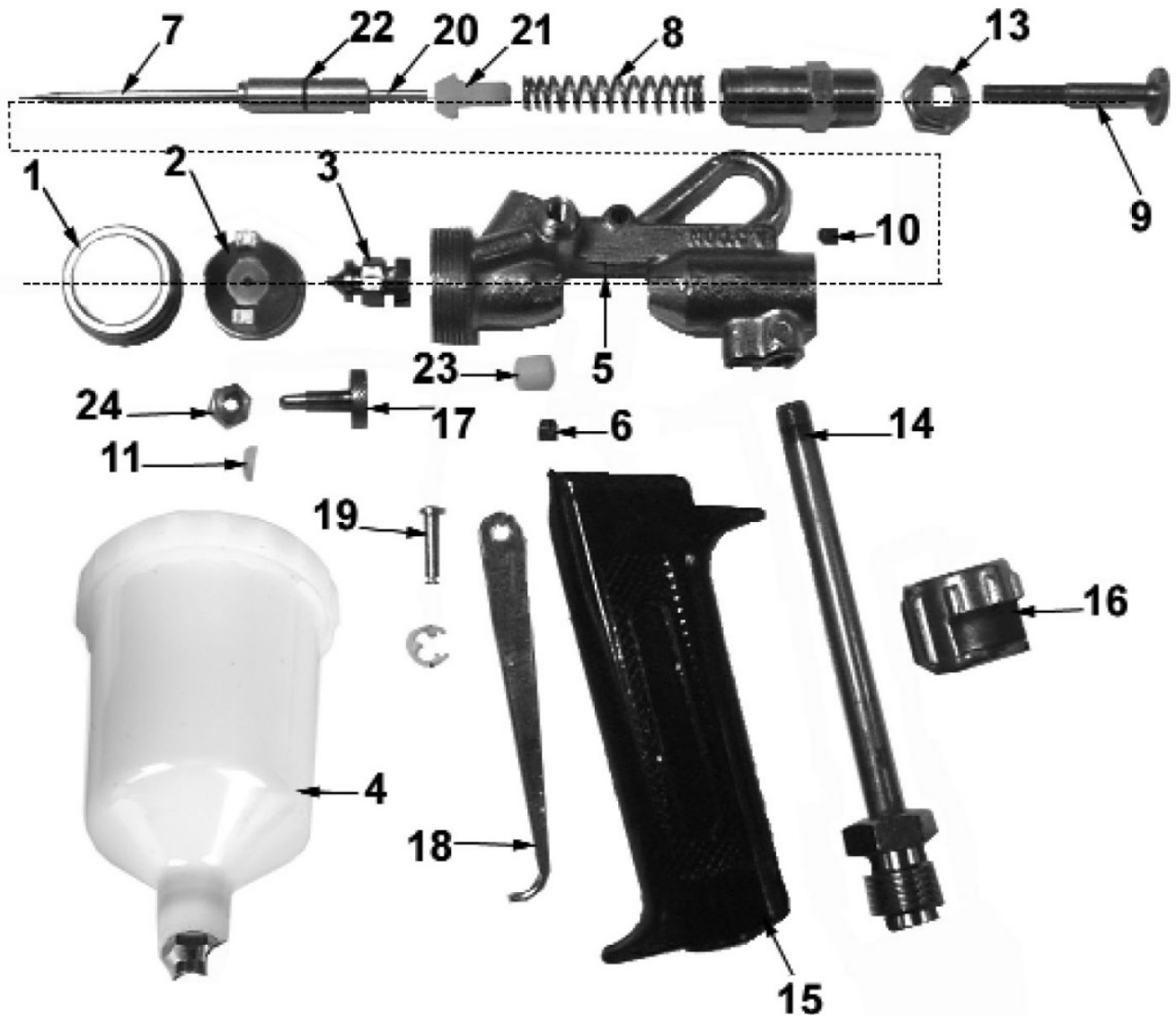


Parts Information:
Spray Gun Touch-Up Variable Fan 0.7mm Set-Up
Model No: SG6VC.V2



Item	Part No.	Description
1	SG6VC.V2-01	Retaining Ring
2	SG6VC.V2-02	Air Cap
3	SG6VC.V2-03	Nozzle
4	SG6VC.V2-04	Cup, Gravity Feed 250cc
5	SG6VC.V2-05	Body
6	SG6VC.V2-06	Plug
7	SG6VC.V2-07	Needle
8	SG6VC.V2-08	Spring
9	SG6VC.V2-09	Needle Adjusting Screw
10	SG6VC.V2-10	Plug, Air Valve
11	SG6VC.V2-11	Gasket
13	SG6VC.V2-13	Cap, Air Valve
14	SG6VC.V2-14	Air Delivery Tube

Item	Part No.	Description
15	SG6VC.V2-15	Handle
16	SG6VC.V2-16	Air Connector
17	SG6VC.V2-17	Adjust Jet Screw
18	SG6VC.V2-18	Trigger
19	SG6VC.V2-19	Trigger Pin
20	SG6VC.V2-20	Pin, Air Valve
21	SG6VC.V2-21	Air Valve
22	SG6VC.V2-22	O-Ring, (Ex: 7.15 In: 4.96 Cs: 1.10)
23	SG6VC.V2-23	Packing, Needle
24	SG6VC.V2-24	Gland
--	SG6VC.V2-S0.5	Set-Up, 0.5mm (Not Shown)
--	SG6VC.V2-S0.7	Set-Up, 0.7mm (Not Shown)
--	SG6VC.V2-S1.0	Set-Up, 1.0mm (Not Shown)

NOTE: It is our policy to continually improve products and as such we reserve the right to alter data, specifications and component parts without prior notice. There may be alternative versions of this product, please contact us should you require this information.

IMPORTANT: No liability is accepted for incorrect use of product. Spare parts must be fitted by a competent person

WARRANTY: Guarantee is 12 months from purchase date, proof of which will be required for any claim.