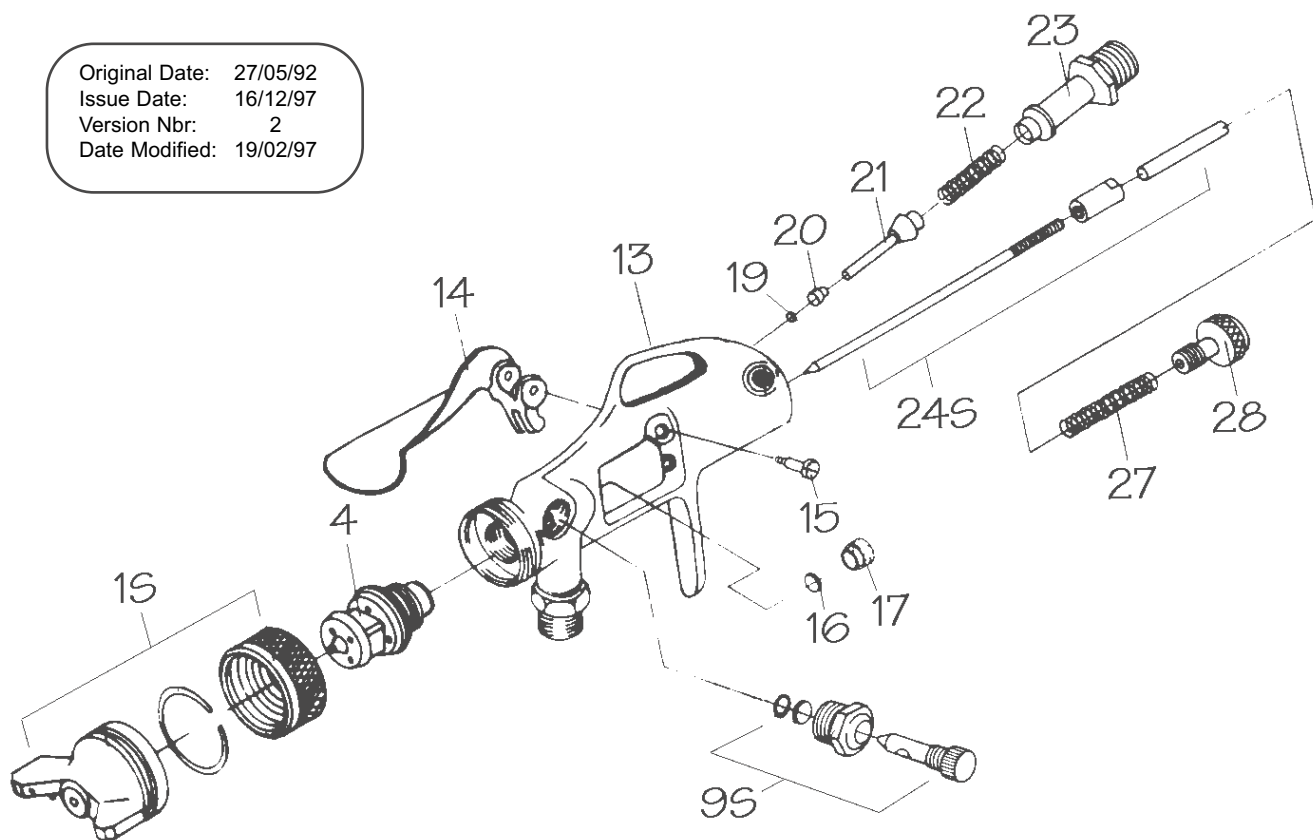


Original Date: 27/05/92  
Issue Date: 16/12/97  
Version Nbr: 2  
Date Modified: 19/02/97



No.	Stock Code	Description
1S	SG6T/97-01S	Nozzle Assembly
4	SG6T/97-04	Fluid Nozzle
9S	SG6T/97-09S	Fan Adjust Assembly
13	SG6T/97-13	Body
14	SG6T/97-14	Trigger
15	SG6T/97-15	Trigger Screw
16	SG6T/97-16	Packing (4)
17	SG6T/97-17	Nut
19	SG6T/97-19	Packing
20	SG6T/97-20	Valve Nut
21	SG6T/97-21	Stem Assembly
22	SG6T/97-22	Spring
23	SG6T/97-23	Air Connection
24S	SG6T/97-024S	Stem Assembly
27	SG6T/97-27	Spring
28	SG6T/97-28	Screw