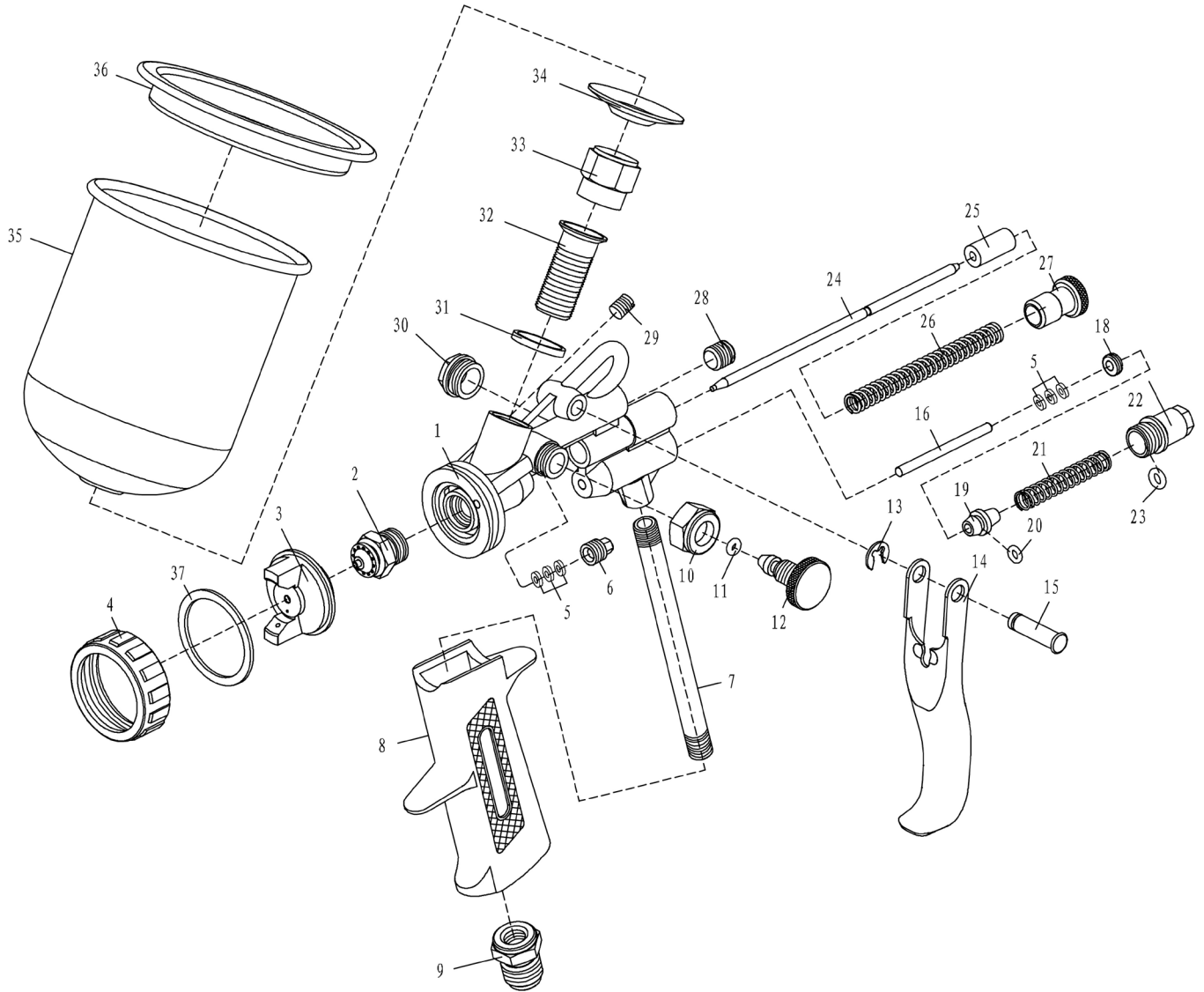




Parts Information:
**Spray Gun Standard Gravity Feed 1.4mm
Set-Up
Model No: SG4.V4**



NOTE: It is our policy to continually improve products and as such we reserve the right to alter data, specifications and component parts without prior notice. There may be alternative versions of this product, please contact us should you require this information.

IMPORTANT: No liability is accepted for incorrect use of product. Spare parts must be fitted by a competent person

WARRANTY: Guarantee is 12 months from purchase date, proof of which will be required for any claim.

Sealey Group, Kempson Way, Suffolk Business Park, Bury St Edmunds, Suffolk. IP32 7AR



01284 757500



01284 703534



sales@sealey.co.uk



www.sealey.co.uk



Parts Information:
**Spray Gun Standard Gravity Feed 1.4mm
 Set-Up
 Model No: SG4.V4**

Item	Part No.	Description
1	SG4.V4-01	Gun Body
2	SG4.V4-02A	Fluid Nozzle 1.4mm
--	SG4.V4-02B	Fluid Nozzle 1.2mm
--	SG4.V4-02C	Fluid Nozzle 1.6mm
--	SG4.V4-02D	Fluid Nozzle 1.8mm
--	SG4.V4-02E	Fluid Nozzle 2.0mm
--	SG4.V4-02F	Fluid Nozzle 2.2mm
--	SG4.V4-02G	Fluid Nozzle 2.5mm
--	SG4.V4-02H	Fluid Nozzle 3.0mm
3	SG4.V4-03A	Air Cap 1.4mm
--	SG4.V4-03B	Air Cap 1.2mm
--	SG4.V4-03C	Air Cap 1.6mm
--	SG4.V4-03D	Air Cap 1.8mm
--	SG4.V4-03E	Air Cap 2.0mm
--	SG4.V4-03F	Air Cap 2.2mm
--	SG4.V4-03G	Air Cap 2.5mm
--	SG4.V4-03H	Air Cap 3.0mm
4	SG4.V4-04	Air Cap Retaining Ring
5	SG4.V4-05	Needle Packing Gasket
6	SG4.V4-06	Needle Packing Screw
7	SG4.V4-07	Dip Tube
8	SG4.V4-08	Handle
9	SG4.V4-09	Air Inlet Connector
10	SG4.V4-10	Pattern Adjustment Seat
11	SG4.V4-11	O-Ring (3.15 x 2.65)
12	SG4.V4-12	Pattern Adjustment Knob
13	SG4.V4-13	Trigger Pin Clip
14	SG4.V4-14	Trigger
15	SG4.V4-15	Trigger Pin Clip
16	SG4.V4-16	Air Valve Stem
18	SG4.V4-18	Sealing Screw
19	SG4.V4-19	Air Valve Cap
20	SG4.V4-20	O-Ring (4.0 x 2.0)

Item	Part No.	Description
21	SG4.V4-21	Air Valve Spring
22	SG4.V4-22	Air Valve Spring Seat
23	SG4.V4-23	O-Ring (8 x 1.8)
24	SG4.V4-24A	Fluid Needle 1.4mm
--	SG4.V4-24B	Fluid Needle 1.2mm
--	SG4.V4-24C	Fluid Needle 1.6mm
--	SG4.V4-24D	Fluid Needle 1.8mm
--	SG4.V4-24E	Fluid Needle 2.0mm
--	SG4.V4-24F	Fluid Needle 2.2mm
--	SG4.V4-24G	Fluid Needle 2.5mm
--	SG4.V4-24H	Fluid Needle 3.0mm
25	SG4.V4-25	Needle Seat
26	SG4.V4-26	Needle Adjustment Spring
27	SG4.V4-27	Needle Adjustment Knob
28	SG4.V4-28	Sealing Screw
29	SG4.V4-29	Grub Screw M6x7
30	SG4.V4-30	Sealing Screw
31	SG4.V4-31	Fluid Pot Sealing Ring
32	SG4.V4-32	Fluid Pot Inner Screw
33	SG4.V4-33	Fluid Pot Inner Nut
34	SG4.V4-34	Fluid Pot Gasket
35	SG4.V4-35	Fluid Pot
36	SG4.V4-36	Fluid Pot Cover
37	SG4.V4-37	Air Cap Gasket
--	SG4.V4-S1.2	Set-Up 1.2mm for SG4.V4
--	SG4.V4-S1.4	Set-Up 1.4mm for SG4.V4
--	SG4.V4-S1.6	Set-Up 1.6mm for SG4.V4
--	SG4.V4-S1.8	Set-Up 1.8mm for SG4.V4
--	SG4.V4-S2.0	Set-Up 2.0mm for SG4.V4
--	SG4.V4-S2.2	Set-Up 2.2mm for SG4.V4
--	SG4.V4-S2.5	Set-Up 2.5mm for SG4.V4
--	SG4.V4-S3.0	Set-Up 3.0mm for SG4.V4

NOTE: It is our policy to continually improve products and as such we reserve the right to alter data, specifications and component parts without prior notice. There may be alternative versions of this product, please contact us should you require this information.

IMPORTANT: No liability is accepted for incorrect use of product. Spare parts must be fitted by a competent person

WARRANTY: Guarantee is 12 months from purchase date, proof of which will be required for any claim.

Sealey Group, Kempson Way, Suffolk Business Park, Bury St Edmunds, Suffolk. IP32 7AR



01284 757500



01284 703534



sales@sealey.co.uk



www.sealey.co.uk