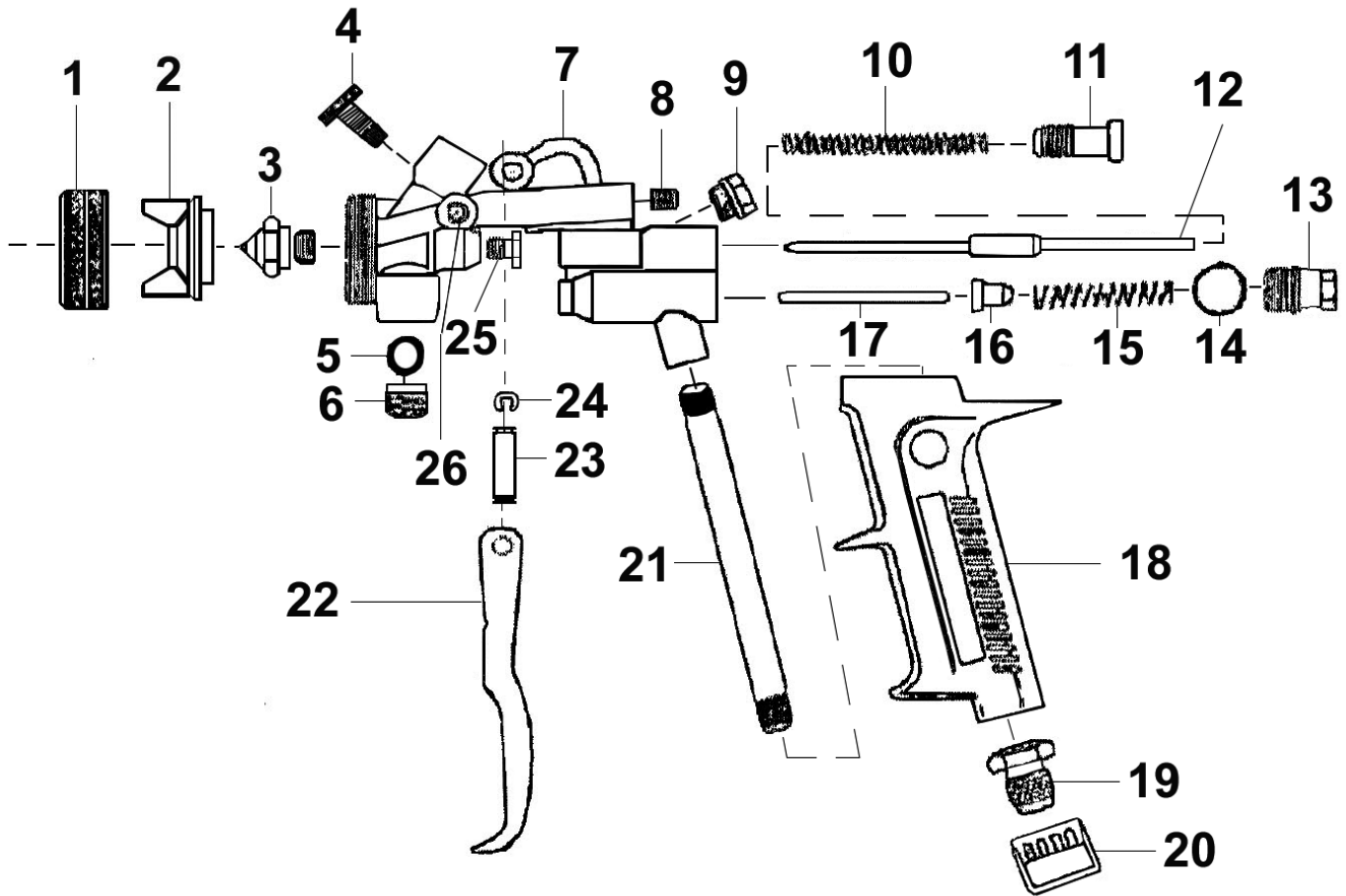


Parts Information:
Spray Gun Standard Gravity Feed 1.4mm Set-Up
Model No: SG4.V2



Item	Part No.	Description
1	SG4C/01	Air Cap Retaining Ring
2	SG4C/02	Air Cap
3	SG4C/03	Fluid Nozzle
4	SG4C/04	Fan Adjustment
5	SG4C/05	Gasket
6	SG4C/06	Nut
7	SG4C/07	Body
8	SG4C/08	Screw
9	SG4C/09	Right Screw
10	SG4C/10	Spring For Paint Needle
11	SG4C/11	Needle Adjustment
12	SG4C/12	Needle
13	SG4C/13	Air Valve Nut
14	SG4C/14	Air Valve Gasket
15	SG4C/15	Air Valve Spring
16	SG4C/16	Air Valve
17	SG4C/17	Air valve Rod
18	SG4C/18	Handle
19	SG4C/19	Air Inlet

Item	Part No.	Description
20	SG4C/20	Screwing Nut
21	SG4C/21	Air Tube
22	SG4C/22	Trigger
23	SG4C/23	Trigger Pin
24	SG4C/24	Circlip
25	SG4C/25	Packing Nut
26	SG4C/26	Packing Valve
--	SG4C/SET/1.2	Nozzle set 1.2mm (Not Shown)
--	SG4C/SET/1.4	Nozzle set 1.4mm (Not Shown)
--	SG4C/SET/1.5	Nozzle set 1.5mm (Not Shown)
--	SG4C/SET/1.7	Nozzle set 1.7mm (Not Shown)
--	SG4C/SET/1.8	Nozzle set 1.8mm (Not Shown)
--	SG4C/SET/1.9	Nozzle set 1.9mm (Not Shown)
--	SG4C/SET/2.0	Nozzle set 2.0mm (Not Shown)
--	SG4C/SET/2.2	Nozzle set 2.2mm (Not Shown)
--	SG4C/SET/2.5	Nozzle set 2.5mm (Not Shown)
--	SG4C/SET/3.0	Nozzle set 3.0mm (Not Shown)
--	142/BL088055	Gravity pot,500cc (Not Shown)

NOTE: It is our policy to continually improve products and as such we reserve the right to alter data, specifications and component parts without prior notice. There may be alternative versions of this product, please contact us should you require this information.

IMPORTANT: No liability is accepted for incorrect use of product. Spare parts must be fitted by a competent person

WARRANTY: Guarantee is 12 months from purchase date, proof of which will be required for any claim.