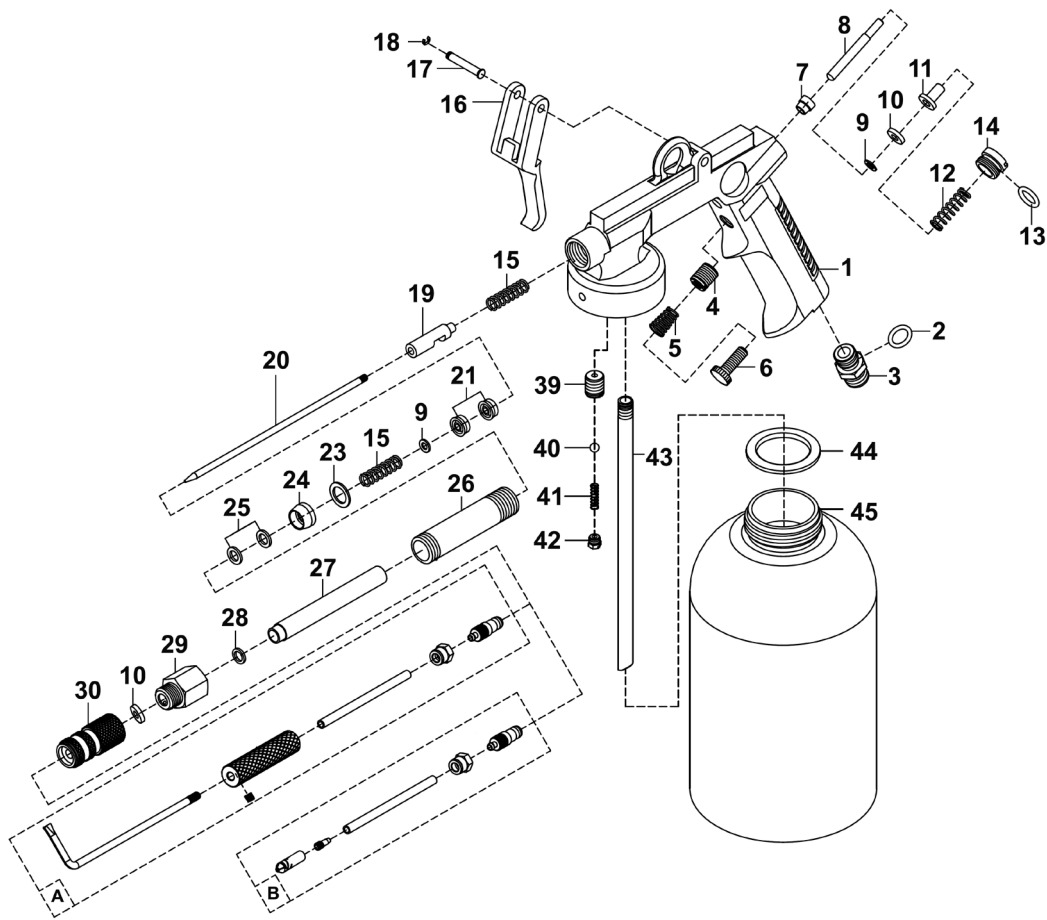


Parts Information: Air Operated Wax Injector Kit Model No: SG18.V3



Item	Part No.	Description
1	SG18.V3-01	Gun Body
2	SG18.V3-02	O-Ring 8 x 1.8mm
3	SG18.V3-03	Inlet Fitting
4	SG18.V3-04	Trigger Adjusting Seat
5	SG18.V3-05	Trigger Adjusting Spring
6	SG18.V3-06	Trigger Adjusting Screw
7	SG18.V3-07	Sealing Ring
8	SG18.V3-08	Air Valve Stem
9	FWM4.S	Flat washer M4 Single
10	SG18.V3-10	Air Valve Stem Gasket
11	SG18.V3-11	Air Valve Stem Seat
12	SG18.V3-12	Air Valve Spring
13	SG18.V3-13	O-Ring 10 x 1.8mm
14	SG18.V3-14	Sealing Screw
15	SG18.V3-15	Needle Spring
16	SG18.V3-16	Trigger
17	SG18.V3-17	Trigger Pin
18	SG18.V3-18	E-Clip 3mm
19	SG18.V3-19	Needle Seat

Item	Part No.	Description
20	SG18.V3-20	Needle
21	SG18.V3-21	Sealing Gasket
23	SG18.V3-23	Packing
24	SG18.V3-24	Rubber Seat
25	SG18.V3-25	Gasket
26	SG18.V3-26	Aluminium Tube (Outer)
27	SG18.V3-27	Aluminium Tube (Inner)
28	SG18.V3-28	Gasket
29	SG18.V3-29	Front Nozzle
30	SG18.V3-30	Coupler
39	SG18.V3-39	Valve Seat / Valve Seat
40	SB-4.0	Steel ball 4.0mm / Steel ball 4.0mm
41	SG18.V3-41	Valve Spring / Valve Spring
42	SG18.V3-42	Valve Screw / Valve Screw
43	SG18.V3-43	Fluid Tube / Fluid Tube
44	SG18.V3-44	Sealing Gasket / Sealing Gasket
45	SG18.V3-45	Fluid Pot / Fluid Pot
A	SG18.V3-A	Hook Nozzle Assembly
B	SG18.V3-B	360° Nozzle Assembly

NOTE: It is our policy to continually improve products and as such we reserve the right to alter data, specifications and component parts without prior notice. There may be alternative versions of this product, please contact us should you require this information.

IMPORTANT: No liability is accepted for incorrect use of product. Spare parts must be fitted by a competent person

WARRANTY: Guarantee is 12 months from purchase date, proof of which will be required for any claim.