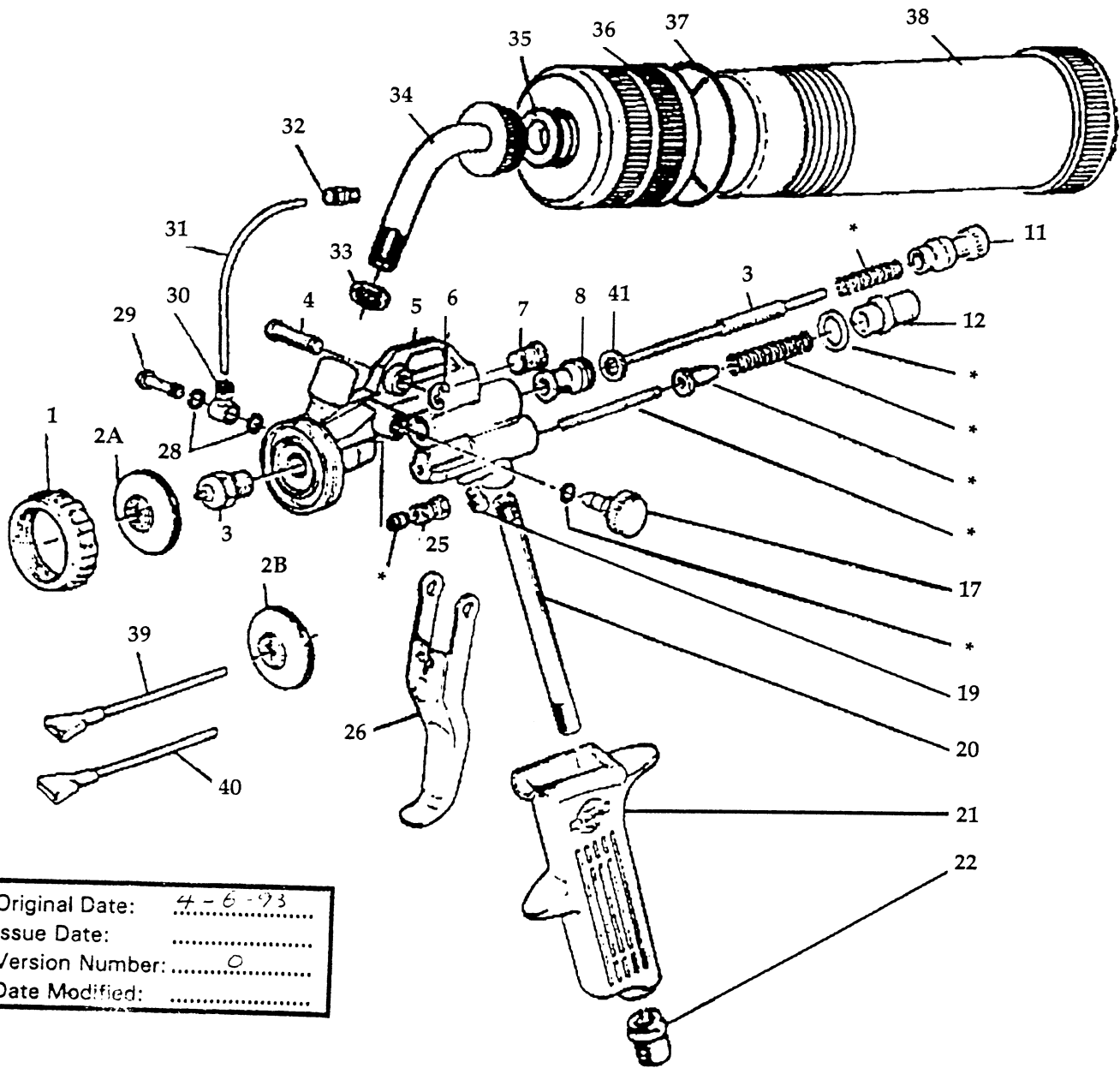


# SG17 - AIR OPERATED SEALANT GUN



Original Date: 4-6-93  
 Issue Date: .....  
 Version Number: 0  
 Date Modified: .....

POS	PART NUMBER	DESCRIPTION
1	131/20100716011	Retaining Ring
2A	131/20100832001	Air Cap, Multi-hole (std)
2B	131/20100831001	Air CAP, Single Hole
3	SG17/SET/22	Nozzle & Needle Kit Ø2.2mm
4	131/20100545094	Trigger Stud
5	131/20100829001	Body
6	131/40500148040	Circlip, Trigger Pin
7	131/20100521001	Plug M9
8	131/20100791001	Bushing Needle
11	131/20100796001	Screw, Needle Adjusting
12	131/20100525001	Plug, Air Valve Retaining
17	131/20100810001	Screw, Air Regulator
19	131/20100519001	Screw, Air Control
20	131/20100529083	Air Tube, Handle
21	131/20100535090	Handle
22	131/20100537001	Nipple, 1/4"
25	131/20100543001	Packing Gland

POS	PART NUMBER	DESCRIPTION
26	131/20100549094	Trigger
28	131/40500157005	Washer
29	131/40500156005	Screw, Union
30	131/40500152427	Union
31	131/20100838097	Tube, Union / Canister
32	131/40500151427	Connection
33	131/20100821001	Nut
34	131/20100851050	Tube, Canister / Gun
35	131/20100819096	Seal
36	131/20100812083	Lid, Canister
37	131/40500150536	O-Ring
38	131/20100852050	Canister
39	SG17/ACC2	Nozzle, Ridge (pack of 10)
40	SG17/ACC1	Nozzle, Flat (pack of 10)
41	131/20100793096	Seal
*	SG4/RK	Service Kit (contains seals, packing etc.)

**SEALEY**

*Quality*  
**MACHINERY**