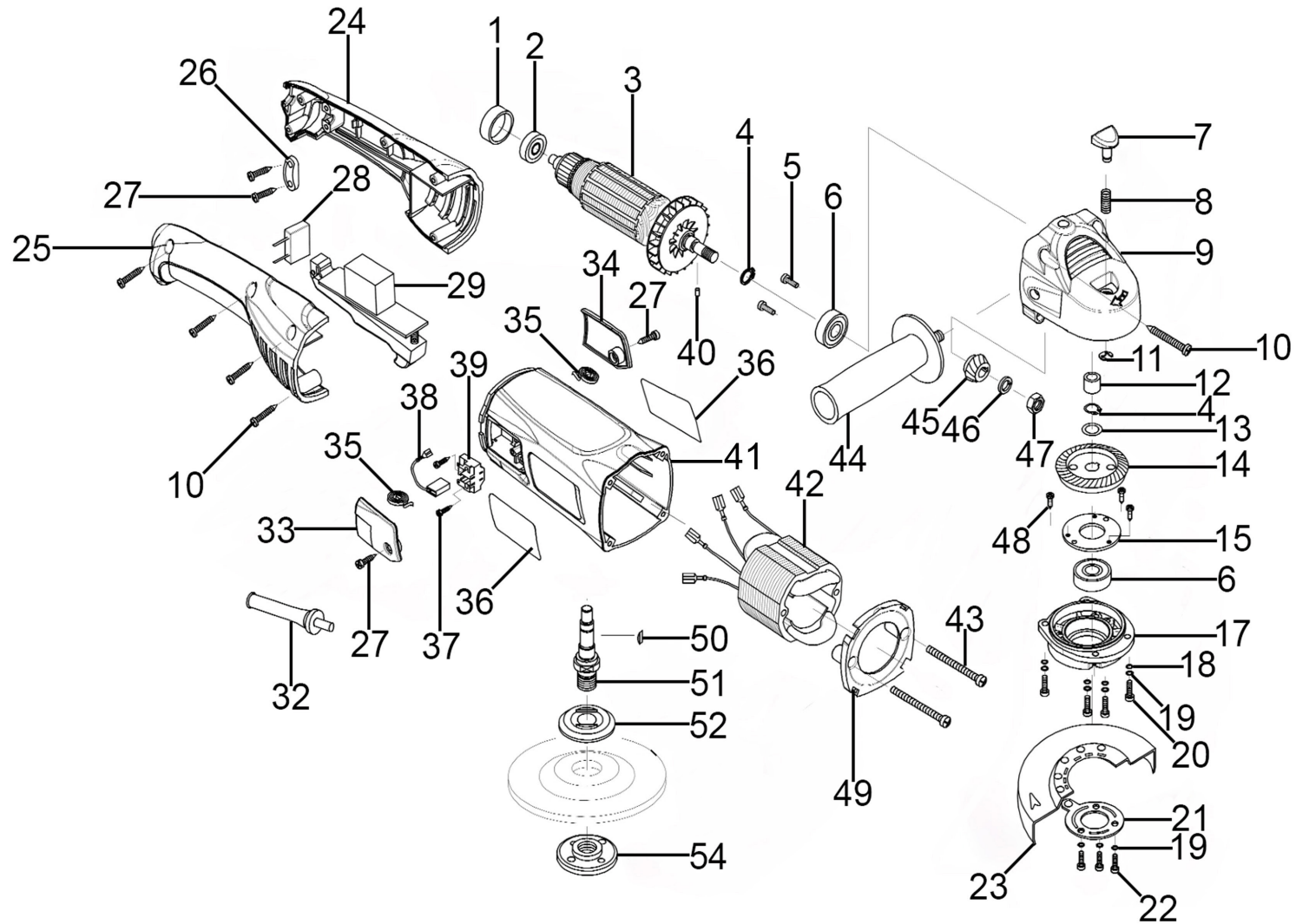




Parts Information:
Angle Grinder Ø125mm 1000W/230V
Model No: SG125



NOTE: It is our policy to continually improve products and as such we reserve the right to alter data, specifications and component parts without prior notice.

There may be alternative versions of this product, please contact us should you require this information.

IMPORTANT: No liability is accepted for incorrect use of product. Spare parts must be fitted by a competent person

WARRANTY: Guarantee is 12 months from purchase date, proof of which will be required for any claim.

Sealey Group, Kempson Way, Suffolk Business Park, Bury St Edmunds, Suffolk. IP32 7AR



01284 757500



01284 703534



sales@sealey.co.uk



www.sealey.co.uk



Parts Information:
Angle Grinder Ø125mm 1000W/230V
Model No: SG125

Item	Part No.	Description
1	SG125.01	Sleeve
2	B/607Z	Bearing
3	SG125.03	Armature
4	SG125.04	Circlip
5	MSP46.S	Machine Screw Pan Head Phillips M4 x 6mm
6	B/6000Z	Bearing
7	SG125.07	Stop Pin
8	SG125.08	Spring
9	SG125.09	Gearbox
10	S0685.V2-10	Rd Head S/T Screw M4 x 18mm
11	SG125.11	E-Clip
12	SG125.12	Collar
13	SG125.13	C-Ring
14	SG125.14	Gear Wheel
15	SG125.15	Bearing Cap
17	SG125.17	Front Cap
18	FWM4.S	Flat Washer M4
19	SWM4.SB	Spring Washer M4 Black
20	MSP414.S	Machine Screw Pan Head Phillips M4 x 14mm
21	SG125.21	Flange
22	MSP420.S	Machine Screw Pan Head Phillips M4 x 20mm
23	SG125.23	Guard
24	SG125.24	Handle, Left
25	SG125.25	Handle, Right
26	SG125.26	Cord Clamp
27	SA44.V3-02	Rd Head S/T Screw M3 x 8mm, Flat End

Item	Part No.	Description
28	SG125.28	Capacitor
29	SG125.29	Switch (c/w Safety Lock)
32	SG125.32	Cord Sleeve
33	SG125.33	Brush Cap, Right
34	SG125.34	Brush Cap, Left
35	SG125.35	Spring, Brush
36	SG125.36	Label
37	SG125.37	Screw
38	SG125.38	Brush
39	SG125.39	Brush Holder
40	SG125.40	Roller
41	SG125.41	Housing
42	SG125.42	Stator
43	MSP455.S	Machine Screw Pan Head Phillips M4 x 55mm
44	SG125.44	Side Handle
45	SG125.45	Pinion
46	SWM8.SB	Spring Washer M8 Black
47	SG125.47	Nut
48	SG2303.V2-37	Rd Head S/T Screw M4 x 10mm
49	SG125.49	Baffle
50	SG125.50	Woodruff Key
51	SG125.51	Spindle
52	SG125.52	Flange
54	SG125.54	Flange Nut
--	SG125.55	Spanner (Not Shown)

NOTE: It is our policy to continually improve products and as such we reserve the right to alter data, specifications and component parts without prior notice. There may be alternative versions of this product, please contact us should you require this information.

IMPORTANT: No liability is accepted for incorrect use of product. Spare parts must be fitted by a competent person

WARRANTY: Guarantee is 12 months from purchase date, proof of which will be required for any claim.

Sealey Group, Kempson Way, Suffolk Business Park, Bury St Edmunds, Suffolk. IP32 7AR



01284 757500



01284 703534



sales@sealey.co.uk



www.sealey.co.uk