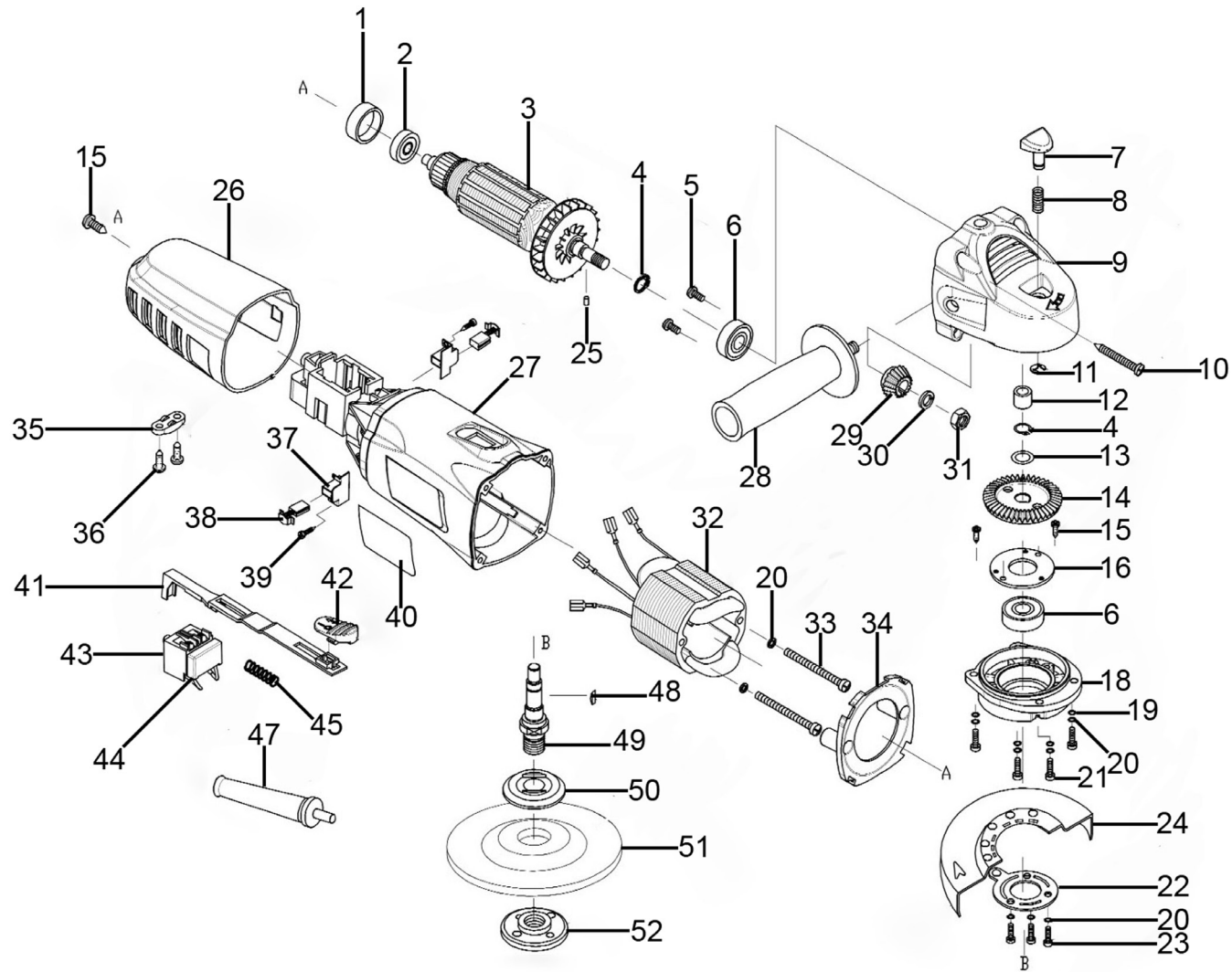




Parts Information:  
Angle Grinder Ø115mm 900W/230V  
Model No: SG115.V2



**NOTE:** It is our policy to continually improve products and as such we reserve the right to alter data, specifications and component parts without prior notice.

There may be alternative versions of this product, please contact us should you require this information.

**IMPORTANT:** No liability is accepted for incorrect use of product. Spare parts must be fitted by a competent person

**WARRANTY:** Guarantee is 12 months from purchase date, proof of which will be required for any claim.

Sealey Group, Kempson Way, Suffolk Business Park, Bury St Edmunds, Suffolk. IP32 7AR



01284 757500



01284 703534



sales@sealey.co.uk



www.sealey.co.uk



Parts Information:  
Angle Grinder Ø115mm 900W/230V  
Model No: SG115.V2

| Item | Part No.     | Description                               |
|------|--------------|---|
| 1    | SG115.V2-01  | Sleeve                                    |
| 2    | B/607ZZ      | Bearing                                   |
| 3    | SG115.V2-03  | Armature                                  |
| 4    | ER1700PD.37  | Circlip                                   |
| 5    | SG115.V2-05  | Screw                                     |
| 6    | B/6000ZZ     | Bearing                                   |
| 7    | SG115.V2-07  | Stop Pin                                  |
| 8    | SG115.V2-08  | Spring                                    |
| 9    | SG115.V2-09  | Gearbox                                   |
| 10   | SG115.V2-10  | Rd Head S/T Screw M3.9 x 20mm             |
| 11   | SG115.V2-11  | E-Clip                                    |
| 12   | SG115.V2-12  | Brass Bush                                |
| 13   | SG115.V2-13  | Spring Washer                             |
| 14   | SG115.V2-14  | Gear Wheel                                |
| 15   | SG2303.V2-37 | Rd Head S/T Screw M4 x 10mm               |
| 16   | SG115.V2-16  | Bearing Cap                               |
| 18   | SG115.V2-18  | Gearcase Cover                            |
| 19   | FWM4.S       | Flat Washer M4                            |
| 20   | SWM4.SB      | Spring Washer M4 Black                    |
| 21   | MSP414.S     | Machine Screw Pan Head Phillips M4 x 14mm |
| 22   | SG115.V2-22  | Flange                                    |
| 23   | MSP420.S     | Machine Screw Pan Head Phillips M4 x 20mm |
| 24   | SG115.V2-24  | Guard                                     |
| 25   | SG115.V2-25  | Roller                                    |
| 26   | SG115.V2-26  | Back Housing                              |
| 27   | SG115.V2-27  | Housing                                   |

| Item | Part No.    | Description                               |
|------|-------------|---|
| 28   | SG115.V2-28 | Side Handle                               |
| 29   | SG115.V2-29 | Pinion                                    |
| 30   | SWM8.SB     | Spring Washer M8 Black                    |
| 31   | SG115.V2-31 | Lock Nut 8mm                              |
| 32   | SG115.V2-32 | Stator                                    |
| 33   | MSP455.S    | Machine Screw Pan Head Phillips M4 x 55mm |
| 34   | SG115.V2-34 | Baffle                                    |
| 35   | SG115.V2-35 | Cord Clamp                                |
| 36   | SG115.V2-36 | Rd Head S/T Screw M4 x 12mm               |
| 37   | SG115.V2-37 | Brush Holder                              |
| 38   | SG115.V2-38 | Brush (Pair)                              |
| 39   | SG115.V2-39 | Rd Head S/T Screw M2.9 x 8mm              |
| 40   | SG115.V2-40 | Label                                     |
| 41   | SG115.V2-41 | Rod                                       |
| 42   | SG115.V2-42 | Button, Switch                            |
| 43   | SG115.V2-43 | Switch, Power                             |
| 44   | SG125.28    | Capacitor                                 |
| 45   | SG115.V2-45 | Spring                                    |
| 47   | SG115.V2-47 | Cord Sleeve                               |
| 48   | SG115.V2-48 | Woodruff Key                              |
| 49   | SG115.V2-49 | Spindle                                   |
| 50   | SG115.V2-50 | Flange                                    |
| 51   | PTC/115G    | Grinding Disc                             |
| 52   | SG115.V2-52 | Flange Nut                                |
| --   | SG115.V2-53 | Pin Spanner (Not Shown)                   |

**NOTE:** It is our policy to continually improve products and as such we reserve the right to alter data, specifications and component parts without prior notice. There may be alternative versions of this product, please contact us should you require this information.

**IMPORTANT:** No liability is accepted for incorrect use of product. Spare parts must be fitted by a competent person

**WARRANTY:** Guarantee is 12 months from purchase date, proof of which will be required for any claim.

Sealey Group, Kempson Way, Suffolk Business Park, Bury St Edmunds, Suffolk. IP32 7AR



01284 757500



01284 703534



sales@sealey.co.uk



www.sealey.co.uk