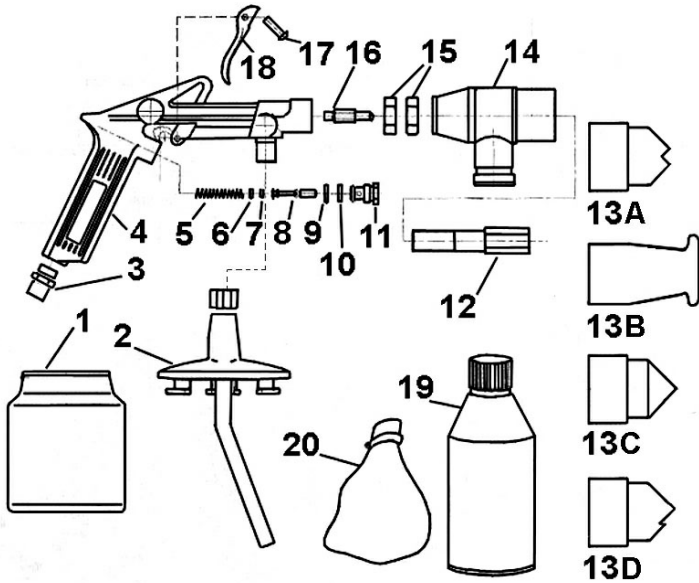




Parts Information:
Air Recirculating Economy Sandblasting Kit
Model No: SG10E



Item	Part No.	Description
1	SG10E.01	POT
2	SG10E.02	POT COVER
3	SG10E.03	AIR INLET CONNECTION
4	SG10E.04	GUN BODY
5	SG10E.05	SPRING
6	SG10E.06	O-RING
7	SG10E.07	O-RING
8	SG10E.08	AIR VALVE BODY
9	SG10E.09	O-RING
10	SG10E.10	WASHER
11	SG10E.11	KNOB
12	SG10E.12	NOZZLE

Item	Part No.	Description
13A	SG10E.13A	NOZZLE "A"
13B	SG10E.13B	NOZZLE "B"
13C	SG10E.13C	NOZZLE "C"
13D	SG10E.13D	NOZZLE "D"
14	SG10E.14	NOZZLE JOINT
15	3S.6R.V3-06	M14 X 1.50 FINE PITCH HALF NUT BLACK
16	SG10E.16	NOZZLE
17	SG10E.17	TRIGGER PIN
18	SG10E.18	TRIGGER
19	SG10E.19	POT
20	SG10E.20	SAND RETURN BAG

NOTE: It is our policy to continually improve products and as such we reserve the right to alter data, specifications and component parts without prior notice.

IMPORTANT: No liability is accepted for incorrect use of product.

WARRANTY: Guarantee is 12 months from purchase date, proof of which will be required for any claim.

Sealey Group, Kempson Way, Suffolk Business Park, Bury St Edmunds, Suffolk. IP32 7AR



01284 757500



01284 703534



sales@sealey.co.uk



www.sealey.co.uk