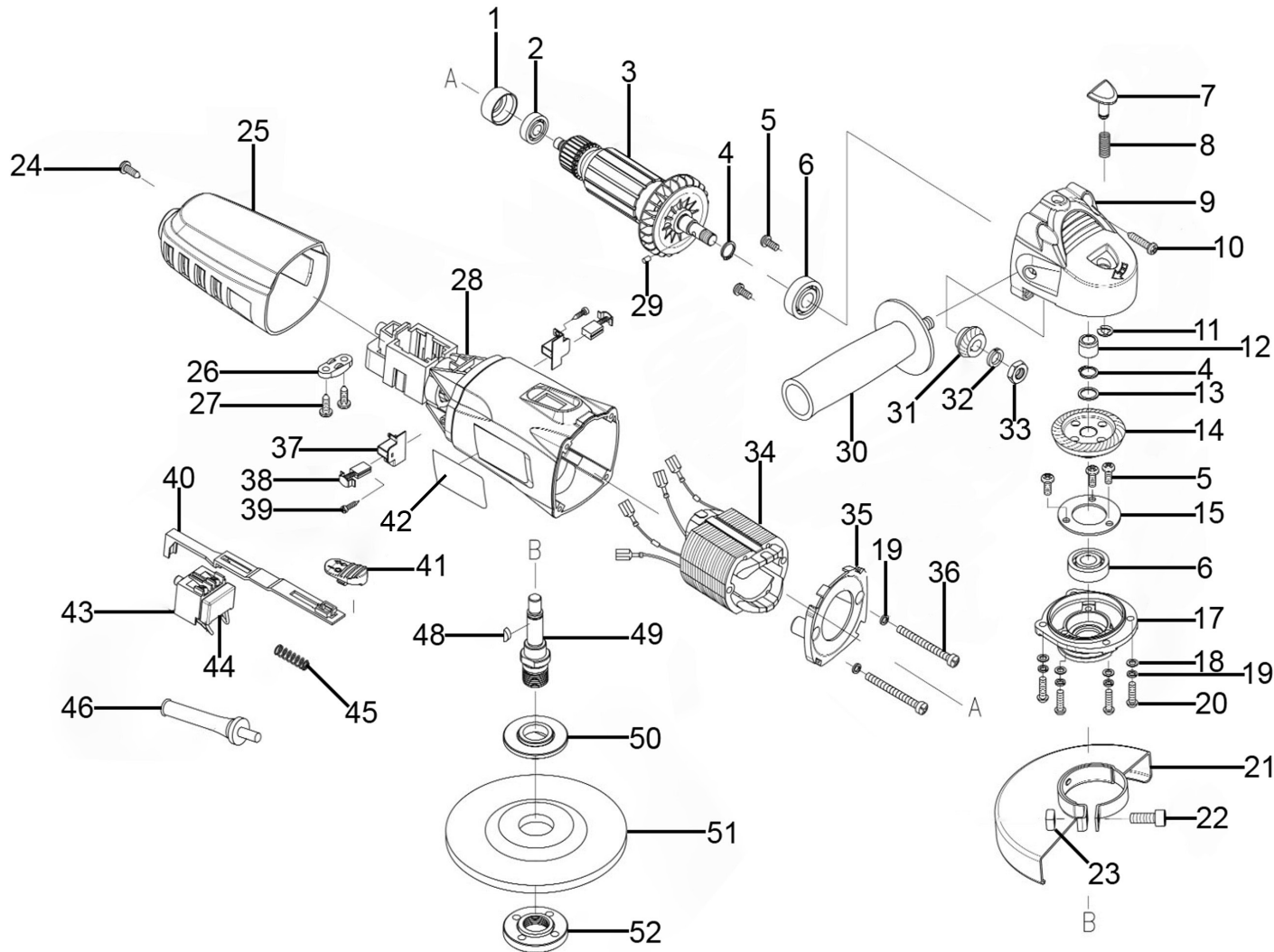




Parts Information:
Angle Grinder Ø100mm 600W/230V
Model No: SG101.V2



NOTE: It is our policy to continually improve products and as such we reserve the right to alter data, specifications and component parts without prior notice.

There may be alternative versions of this product, please contact us should you require this information.

IMPORTANT: No liability is accepted for incorrect use of product. Spare parts must be fitted by a competent person

WARRANTY: Guarantee is 12 months from purchase date, proof of which will be required for any claim.

Sealey Group, Kempson Way, Suffolk Business Park, Bury St Edmunds, Suffolk. IP32 7AR



01284 757500



01284 703534



sales@sealey.co.uk



www.sealey.co.uk



Parts Information:
Angle Grinder Ø100mm 600W/230V
Model No: SG101.V2

Item	Part No.	Description
1	SG101.V2-01	Sleeve
2	B/607Z	Bearing
3	SG101.V2-03	Armature
4	ER1700PD.37	Circlip
5	SG101.V2-05	Screw
6	B/6000ZZ	Bearing
7	SG101.V2-07	Stop Pin
8	SG101.V2-08	Spring
9	SG101.V2-09	Gearbox
10	SD1000.V2-12	Rd Head S/T Screw M4 x 20mm
11	SG101.V2-11	E-Clip
12	SG115.V2-12	Brass Bush
13	SG101.V2-13	Spring Washer
14	SG101.V2-14	Gear Wheel
15	SG101.V2-15	Bearing Cap
17	SG101.V2-17	Front Cap
18	FWM4.S	Flat Washer M4
19	SWM4.SB	Spring Washer M4 Black
20	MSP412.S	Machine Screw Pan Head Phillips M4 x 12mm
21	SG101.V2-21	Guard
22	SCB518.SB	Socket Cap Bolt M5 x 18mm Black
23	SG101.V2-23	Nut
24	SG2303.V2-37	Rd Head S/T Screw M4 x 10mm
25	SG101.V2-25	Back Housing
26	SG101.V2-26	Cord Clamp
27	SG101.V2-27	Rd Head S/T Screw M3.8 x 14mm
28	SG101.V2-28	Housing

Item	Part No.	Description
29	SG101.V2-29	Woodruff Key A
30	SG115.V2-28	Side Handle
31	SG101.V2-31	Pinion
32	SWM8.SB	Spring Washer M8 Black
33	SG101.V2-33	Nut
34	SG101.V2-34	Stator
35	SG101.V2-35	Baffle
36	MSP455.S	Machine Screw Pan Head Phillips M4 x 55mm
37	SG101.V2-37	Brush Holder (Pair)
38	SG101.V2-38	Brush
39	SG101.V2-39	Screw
40	SG101.V2-40	Rod
41	SG101.V2-41	Button, Switch
42	SG101.V2-42	Label
43	SG101.V2-43	Switch, Power
44	SG101.V2-44	Capacitor
45	SG101.V2-45	Spring
46	SG101.V2-46	Cord Sleeve
48	SG101.V2-48	Woodruff Key B
49	SG101.V2-49	Spindle
50	SG101.V2-50	Flange
51	PTC/100G	Grinding Disc
52	SG101.V2-52	Flange Nut
--	SG101.V2-53	Spanner (Not Shown)
--	SG101.V2-52A	Pad Nut (Not Shown)
--	PTC/BP3/NUT15	Pad Nut, Backing Pad M10 x 1.5mm (Not Shown)

NOTE: It is our policy to continually improve products and as such we reserve the right to alter data, specifications and component parts without prior notice. There may be alternative versions of this product, please contact us should you require this information.

IMPORTANT: No liability is accepted for incorrect use of product. Spare parts must be fitted by a competent person

WARRANTY: Guarantee is 12 months from purchase date, proof of which will be required for any claim.

Sealey Group, Kempson Way, Suffolk Business Park, Bury St Edmunds, Suffolk. IP32 7AR



01284 757500



01284 703534



sales@sealey.co.uk



www.sealey.co.uk