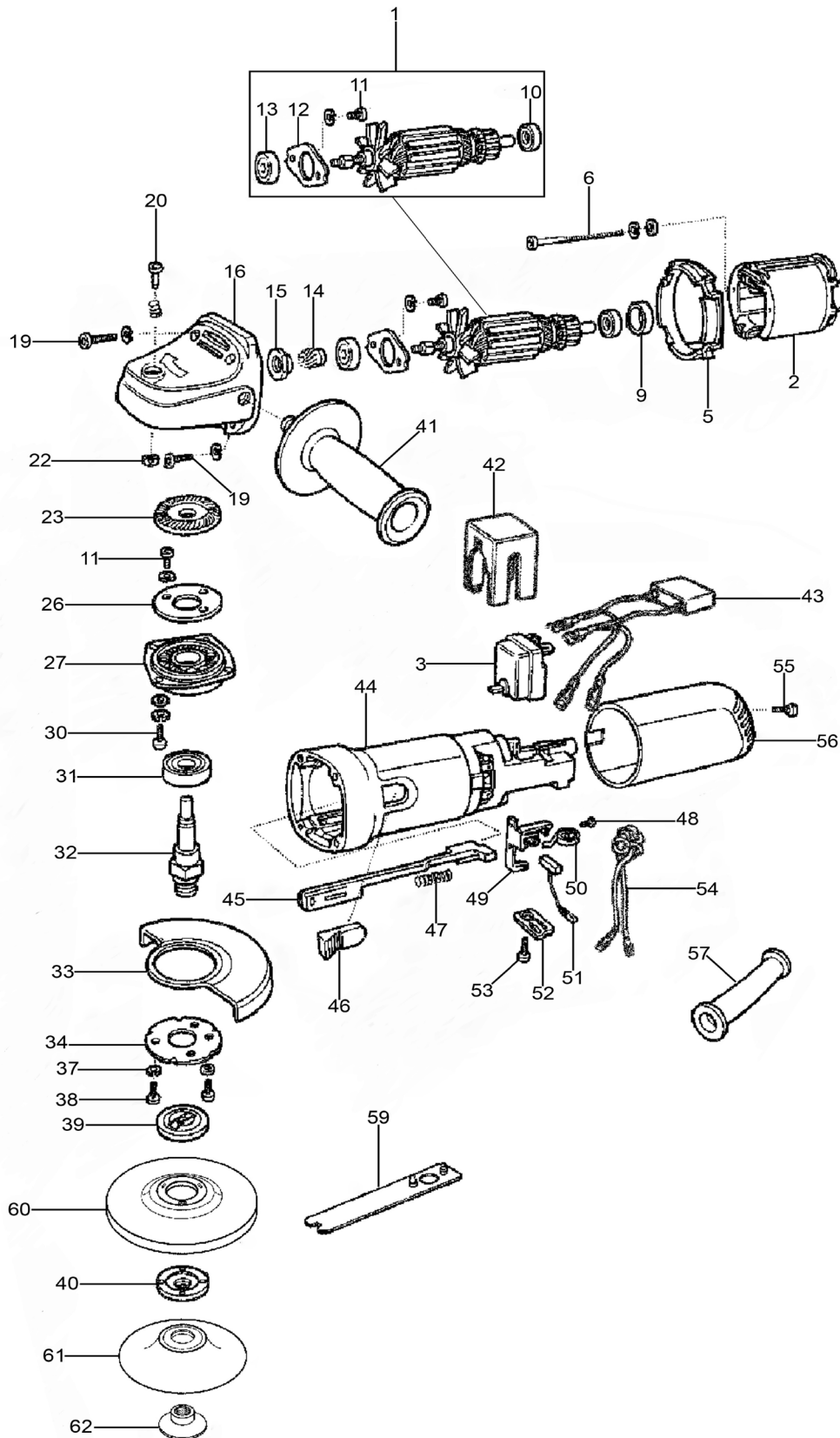




Parts Information:
Angle Grinder Ø100mm with Pad
720W/230V
Model No: SG101



NOTE: It is our policy to continually improve products and as such we reserve the right to alter data, specifications and component parts without prior notice. There may be alternative versions of this product, please contact us should you require this information.

IMPORTANT: No liability is accepted for incorrect use of product. Spare parts must be fitted by a competent person

WARRANTY: Guarantee is 12 months from purchase date, proof of which will be required for any claim.

Sealey Group, Kempson Way, Suffolk Business Park, Bury St Edmunds, Suffolk. IP32 7AR



01284 757500



01284 703534



sales@sealey.co.uk



www.sealey.co.uk



Parts Information:
Angle Grinder Ø100mm with Pad
720W/230V
Model No: SG101

Item	Part No.	Description
1	SG101.01	Armature
2	SG101.02	Field
3	SG101.03	Switch, Power (c/w Bottom Cover)
5	SG101.05	Baffle
6	SG101.06	Screw ST4.2 x 65mm
9	SG101.09	Sleeve
10	B/607ZZ	Bearing
11	SG101.11	Screw M4 x 12mm
12	SG101.12	Flange
13	B/628ZZ	Bearing
14	SG101.14	Pinion
15	SG101.15	Nut
16	SG101.16	Gear Case
19	SG101.19	Screw ST4.2 x 20mm
20	SG101.20	Spindle Lock
22	SG101.22	Woodruff Key
23	SG101.23	Gear
26	SG101.26	Flange
27	SG101.27	Gearcase Cover
30	SG101.30	Screw M4 x 14mm
31	B/6201ZZ	Bearing
32	SG101.32	Spindle
33	SG101.33	Guard
34	SG101.34	Flange
37	SG101.37	Washer
38	SS510.S	Hex Head Set Screw M5 x 10mm
39	SG101.39	Flange

Item	Part No.	Description
40	SG101.40	Flange
41	SG101.41	Handle
42	SG101.42	Cover, Switch
43	SG101.43	Capacitor
44	SG101.44	Body
45	SG101.45	Rod
46	SG101.46	Lever, Switch
47	SG101.47	Spring
48	SG101.48	Rd Head S/T Screw M2.2 x 6mm
49	SG101.49	Brush Box
50	SG101.50	Brush Spring
51	SG101.51	Carbon Brush
52	SG101.52	Cord Clamp
53	SG101.53	Screw ST4.2 x 14mm
54	SG101.54	Choke
55	SG101.55	Screw ST4.2 x 16mm
56	SG101.56	Cover, Rear
57	SG101.57	Cord Protector
59	SG101.59	Pin Spanner
60	PTC/100G	Grinding Disc
61	SG101.61	Backing Pad
62	PTC/BP3/NUT	Pad Nut, Backing Pad M10 x 1.25mm
--	SG101.04	Cord Set (Not Shown)
--	SG101.16SP	Bushing (Not Shown)
--	SG101.17	Screw ST4.2 x 25mm (Not Shown)
--	SG101.58	Label (Not Shown)

NOTE: It is our policy to continually improve products and as such we reserve the right to alter data, specifications and component parts without prior notice. There may be alternative versions of this product, please contact us should you require this information.

IMPORTANT: No liability is accepted for incorrect use of product. Spare parts must be fitted by a competent person

WARRANTY: Guarantee is 12 months from purchase date, proof of which will be required for any claim.

Sealey Group, Kempson Way, Suffolk Business Park, Bury St Edmunds, Suffolk. IP32 7AR



01284 757500



01284 703534



sales@sealey.co.uk



www.sealey.co.uk