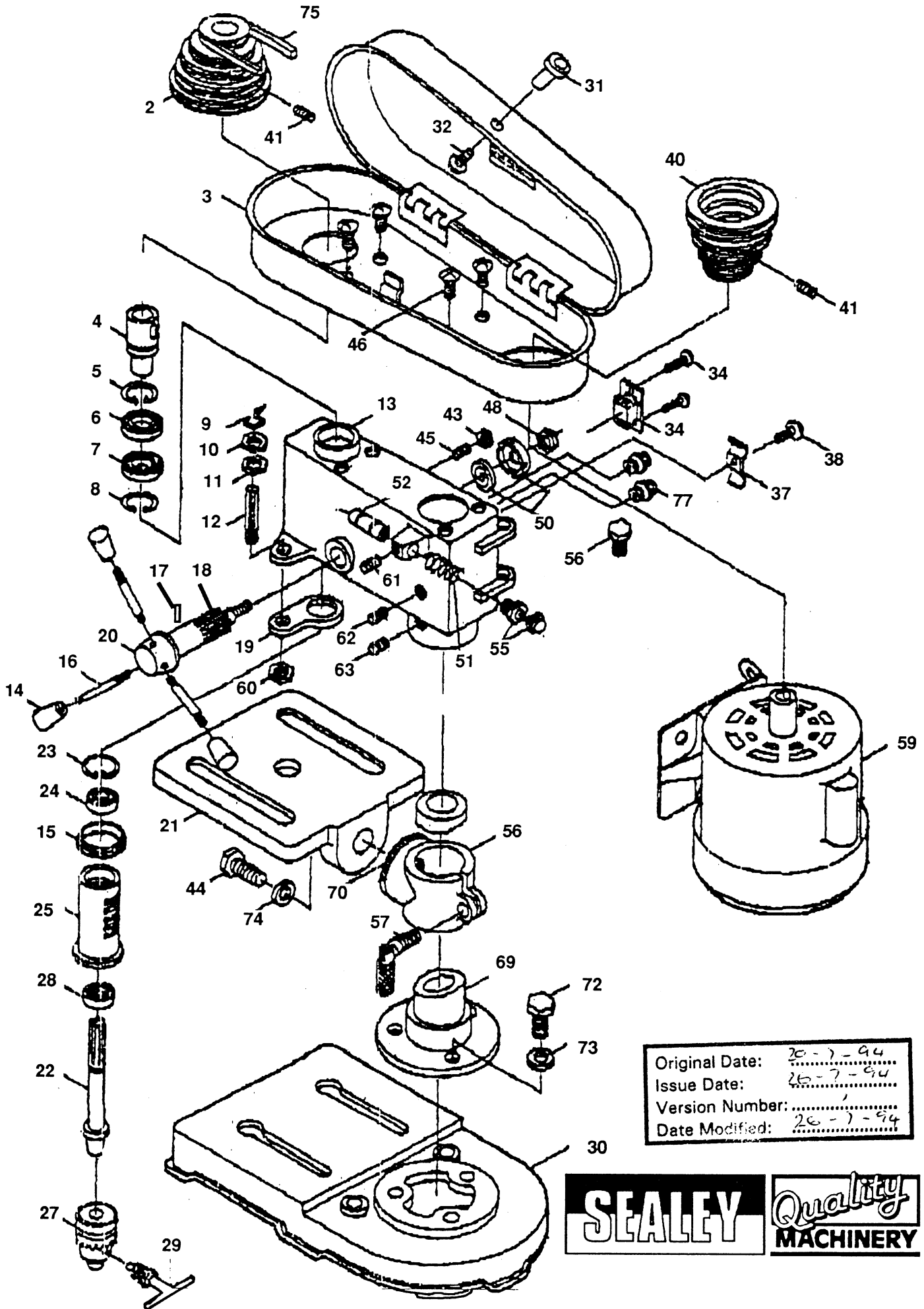


PARTS DIAGRAM FOR SDM95 PILLAR DRILL



Original Date:	20-7-94
Issue Date:	26-7-94
Version Number:	1
Date Modified:	26-7-94



Parts List for SDM95 Pillar Drill

<u>Pos.</u>	<u>Part No.</u>	<u>Description</u>	<u>Pos</u>	<u>Part No.</u>	<u>Description</u>
2	SDM95/02	Pulley, Spindle	41	SDM95/41	Screw, Socket Head
3	SDM95/03	Guard Assembly	42	SDM95/42	Screw, Pan Head
4	SDM95/04	Insert, Pulley	43	SDM95/43	Nut, Hex
5	SDM95/05	Ring Retaining	44	SDM95/44	Screw, Hex Head
6	SDM95/06	Ball Bearing	45	SDM95/45	Screw, Slotted Set
7	SDM95/07	Ball Bearing	48	SDM95/48	Nut, Hex
8	SDM95/08	Ring Retaining	50	SDM95/50	Cap, Spring, Torsion
9	SDM95/09	Indicator, Depth	51	SDM95/51	Spring
10	SDM95/10	Nut, Adjusting	52	SDM95/52	Rod, Cam Shaft
11	SDM95/11	Nut, Adjusting	53	SDM95/53	Pivot, Wing Screw
12	SDM95/12	Rod, Depth Stick	54	SDM95/54	Spring
13	SDM95/13	Head	55	SDM95/55	Rubber Pad
14	SDM95/14	Knob	56	SDM95/56	Pivot, Mount
15	SDM95/15	Gasket, Quill	59	SDM95/59	Motor
16	SDM95/16	Rod, Handle	60	SDM95/60	Nut, Hex.
17	SDM95/17	Pin	61	SDM95/61	Screw, Wing
18	SDM95/18	Pinion Shaft	62	SDM95/62	Screw, Socket. Set
19	SDM95/19	Collar Stop	63	SDM95/63	Screw, Socket Set
20	SDM95/20	Handle Body	64	SDM95/64	Bolt, Hex Head
21	SDM95/21	Working Table	66	SDM95/66	Support Table
22	SDM95/22	Spindle	67	SDM95/67	Clamp Bolt
23	SDM95/23	Ring, Retaining	69	SDM95/69	Column
24	SDM95/24	Ball Bearing	70	SDM95/70	Scale, Bevel
25	SDM95/25	Quill	72	SDM95/72	Screw, Flange
26	SDM95/26	Nut, Hex Head	73	SDM95/73	Washer
27	SDM95/27	Chuck	74	SDM95/74	Washer
28	SDM95/28	Ball Bearing	75	SDM95/75	V-Belt
29	SDM95/29	Key, Chuck	76	SDM95/76	Cover, Switch Plate
30	SDM95/30	Base			
31	SDM95/31	Knob			
32	SDM95/32	Screw, Pan Head			
34	SDM95/34	Switch			
35	SDM95/35	Screw, Pan Head			
36	SDM95/36	Screw, Pan Head			
37	SDM95/37	Clamp, Cord			
38	SDM95/38	Screw, Pan Head			
39	SDM95/39	Cord			
40	SDM95/40	Pulley Motor			

Original Date:	20-7-94
Issue Date:	26-7-94
Version Number:	1
Date Modified:	26-7-94

