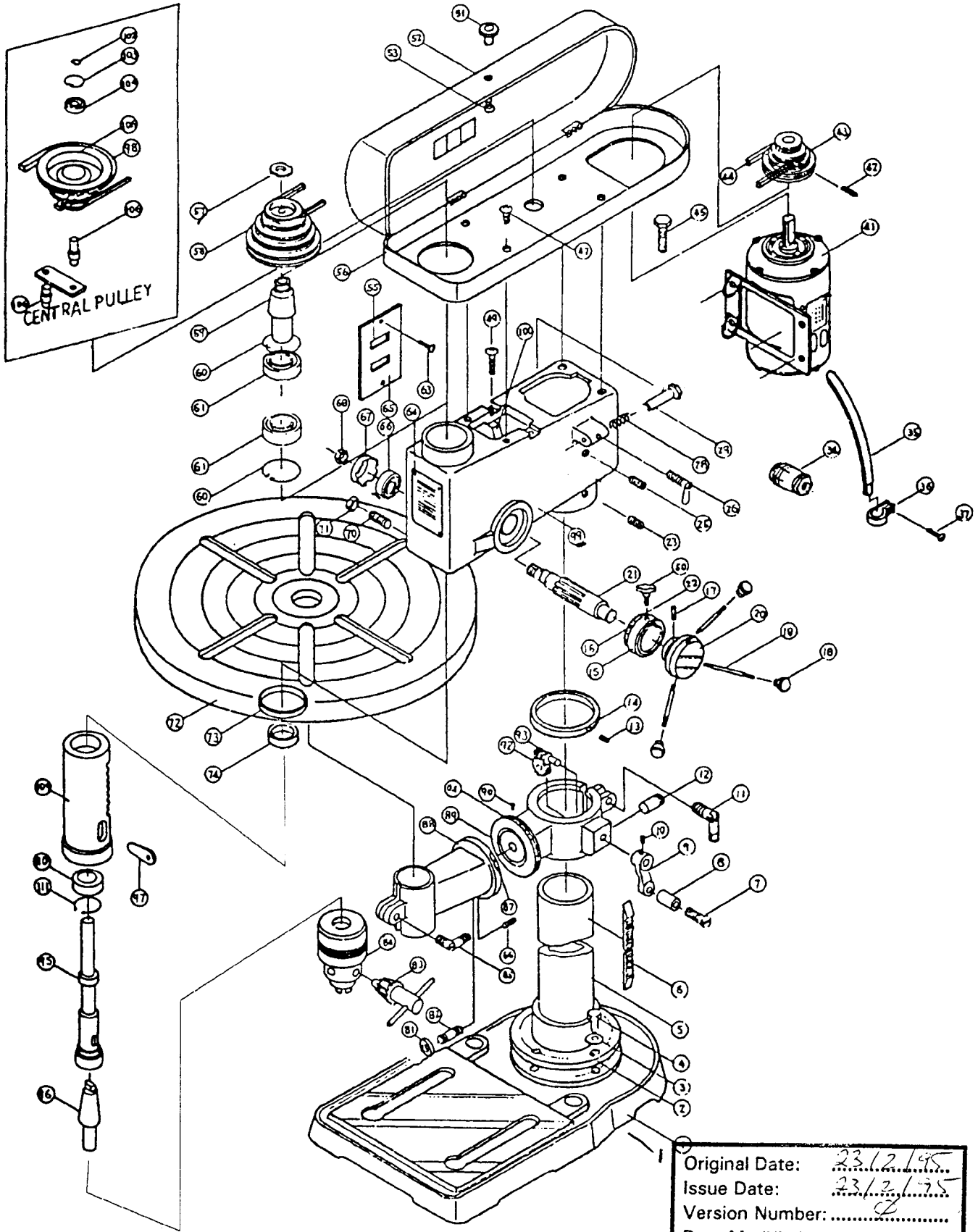


SDM90 DIAGRAM



Original Date:	23/2/95
Issue Date:	23/2/95
Version Number:	2
Date Modified:	



SDM90 PARTS LIST

Index no.	Stock Code	Description	Qty
1	SDM90/01	Base	1
2	SDM90/02	Base Flange	1
3	SDM90/03	Washers	4
4	SDM90/04	Screws	4
5	SDM90/05	Column	1
6	SDM90/06	Rack	1
7-10	SDM90/07-10	Handle Assembly	
11	SDM90/11	Clamp Bolt	1
12	SDM90/12	Shaft	1
13	SDM90/13	Screw	1
14	SDM90/14	Rack Collar	1
15	SDM90/15	Scale Sleeve	1
16	SDM90/16	Rivet	1
17	SDM90/17	Pins	2
18	SDM90/18	Knobs	3
19	SDM90/19	Feed Handles	3
20	SDM90/20	Handle Base	1
21	SDM90/21	Feed Pinion	1
22	SDM90/22	Scales	2
23	SDM90/23	Set Screw	1
25	SDM90/25	Set Screw	1
26	SDM90/26	Screw Knob	1
28	SDM90/28	Spring	1
29	SDM90/29	Rod	1
34	SDM90/34	Strip Relief	2
35	SDM90/35	Cord	1
36	SDM90/36	Clamps	2
37	SDM90/37	Screws	2
41	SDM90/41	Motor	1
42	SDM90/42	Set Screw	1
43	SDM90/43	Motor Pulley	1
44	V/M24	V-Belt	1
45	SDM90/45	Screws	2
47	SDM90/47	Screws	4
49	SDM90/49	Screws	2
50	SDM90/50	Screw	1
51	SDM90/51	Knob	1
52	SDM90/52	Pulley Guard	1
53	SDM90/53	Screw	1
55	SDM90/55	Switch	1
56	SDM90/56	Pulley Guard	1
57	SDM90/57	Nut	1
58	SDM90/58	Spindle Pulley	1

Index no.	Stock Code	Description	Qty
59	SDM90/59	Driving Taper Sleeve	1
60	SDM90/60	C-Ring	2
61	B/6203Z	Bearings	2
63	SDM90/63	Screws	2
64	SDM90/64	Rivets	4
65	SDM90/65	Switch Plate	1
66	SDM90/66	Spring	1
67	SDM90/67	Cap	1
68	SDM90/68	Nut	1
70	SDM90/70	Screw	1
71	SDM90/71	Nut	1
72	SDM90/72	Table	1
73	SDM90/73	Washer	1
74	B/6201Z	Bearing	1
81	SDM90/81	Washer	1
82	SDM90/82	Screw	1
83	SDM90/83	Key	1
84	SDM90/84	Chuck	1
85	SDM90/85	Clamp Bolt	1
86	SDM90/86	Screw	1
87	SDM90/87	Zero Mark	1
88	SDM90/88	Table Arm	1
89	SDM90/89	Table Brackets	2
90	SDM90/90	Rivet	1
92	SDM90/92	Gear	1
93	SDM90/93	Worm	1
94	SDM90/94	Angle Scale	1
95	SDM90/95	Spindle	1
96	SDM90/96	Arbor	1
97	SDM90/97	Wedge	1
98	V/M22	V-Belt	1
99	SDM90/99	Head Frame	1
100	SDM90/100	Lamp Receptacle	1
102	SDM90/102	Lock Ring Shaft	1
103	SDM90/103	Lock Ring Pulley	1
104	B/6202Z	Bearing	1
105	SDM90/105	Central Pulley	1
106	SDM90/106	Shaft	1
108	SDM90/108	Shaft	1
109	SDM90/109	Quill	1
110	B/6204Z	Bearing	1
111	SDM90/111	Ring	1
	DPG90	Drill Press Guard	