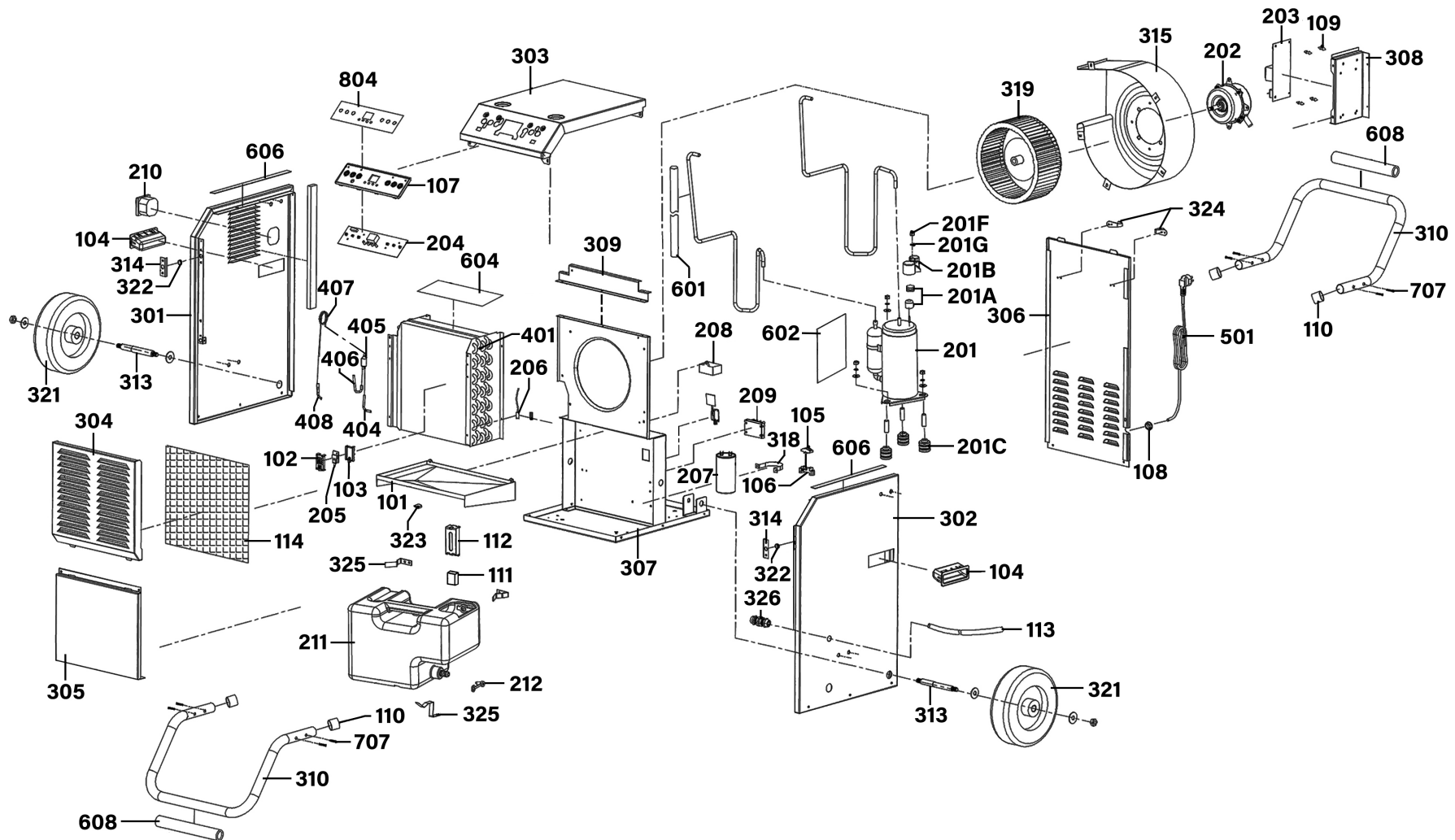




Parts Information: Industrial Dehumidifier 50L Model No: SDH50.V4



NOTE: It is our policy to continually improve products and as such we reserve the right to alter data, specifications and component parts without prior notice.

There may be alternative versions of this product, please contact us should you require this information.

IMPORTANT: No liability is accepted for incorrect use of product. Spare parts must be fitted by a competent person

WARRANTY: Guarantee is 12 months from purchase date, proof of which will be required for any claim.

Sealey Group, Kempson Way, Suffolk Business Park, Bury St Edmunds, Suffolk. IP32 7AR



01284 757500



sales@sealey.co.uk



www.sealey.co.uk



Parts Information:
Industrial Dehumidifier 50L
Model No: SDH50.V4

Item	Part No.	Description	Qty
101	SDH50-V4-101	Water Tray	1
102	SDH50-V4-102	Front Cover for Humidity Sensor	1
103	SDH50-V4-103	Back Cover for Humidity Sensor	1
104	SDH50-V4-104	Side Handle Grip	2
105	SDH50-V4-105	Wire Block Top Cover	2
106	SDH50-V4-106	Wire Block Bottom Cover	1
107	SDH50-V4-107	Control Panel	1
108	SDH50-V4-108	Power Cord Grip	1
109	SDH50-V4-109	Support Colum for PCB	1
110	SDH50-V4-110	End Plug	4
111	SDH50-V4-111	Water Tank Float	1
112	SDH50-V4-112	Float Cover	1
113	SDH50-V4-113	Outlet Pipe	1
114	SDH50-V4-114	Front Filter	1
201	SDH50-V4-201	Compressor	1
201A	SDH50-V4-201A	Overload Protection	1
201B	SDH50-V4-201B	Overload Protection Cover	1
201C	SDH50-V4-201C	Anti-Vibration Foot	3
201F	SDH50-V4-201F	Nut	1
201G	SDH50-V4-201G	Washer	1
202	SDH50-V4-202	Motor	1
203	SDH50-V4-203	PCB	1
204	SDH50-V4-204	Display PCB Board	1
205	SDH50-V4-205	Humidity Sensor	1
206	SDH50-V4-206	Temperature Sensor 5k	1
207	SDH50-V4-207	Capacitor for Compressor	1
208	SDH50-V4-208	Motor Capacitor	1
209	SDH50-V4-209	Control Terminal	1
210	SDH50-V4-210	Timer	1
211	SDH50-V4-211	Water Tank	1
212	SDH50-V4-212	Water Tank Plug	1
301	SDH50-V4-301	Side Panel, Left	1
302	SDH50-V4-302	Side Panel, Right	1

Item	Part No.	Description	Qty
303	SDH50-V4-303	Top Panel	1
304	SDH50-V4-304	Front Panel Upper Cover	1
305	SDH50-V4-305	Front Panel Lower Cover	1
306	SDH50-V4-306	Rear Panel	1
307	SDH50-V4-307	Base	1
308	SDH50-V4-308	Fixed Bracket for PCB	1
309	SDH50-V4-309	Sealed Plate for Fan	1
310	SDH50-V4-310	Front/Bottom Frame	2
313	SDH50-V4-313	Wheel Axle	2
314	SDH50-V4-314	Fixed Plate for Magnet	2
315	SDH50-V4-315	Fan Cover	1
318	SDH50-V4-318	Capacitor Clip	1
319	SDH50-V4-319	Fan	1
321	SDH50-V4-321	Fixed, Plastic Wheel	2
322	SDH50-V4-322	Magnet	2
323	SDH50-V4-323	Pipe Clip	1
324	SDH50-V4-324	Hanging Clip	2
325	SDH50-V4-325	Water Tank Bracket	2
326	SDH50-V4-326	Conversion Connector	1
401	SDH50-V4-401	Evaporator	1
404	SDH50-V4-404	Fluid Inlet Tube	1
405	SDH50-V4-405	Filter (3-Way)	1
406	SDH50-V4-406	Fill-In Tube	1
407	SDH50-V4-407	Capillary	1
408	SDH50-V4-408	Capillary Outlet Tube	1
501	SDH50-V4-501	Power Cord	1
601	SDH50-V4-601	Protection Foam for Pressure Pipe	1
602	SDH50-V4-602	Protection Foam for Compressor	1
604	SDH50-V4-604	Protection Foam for Evaporator	1
606	SDH50-V4-606	Protection Foam for Side Panel	2
608	SDH50-V4-608	Foam Sleeve for Front/Bottom Sleeve	2
707	SDH50-V4-707	Frame Screw M6x42	8
804	SDH50-V4-804	Display Key Panel	1

NOTE: It is our policy to continually improve products and as such we reserve the right to alter data, specifications and component parts without prior notice. There may be alternative versions of this product, please contact us should you require this information.

IMPORTANT: No liability is accepted for incorrect use of product. Spare parts must be fitted by a competent person

WARRANTY: Guarantee is 12 months from purchase date, proof of which will be required for any claim.

Sealey Group, Kempson Way, Suffolk Business Park, Bury St Edmunds, Suffolk. IP32 7AR



01284 757500



sales@sealey.co.uk



www.sealey.co.uk