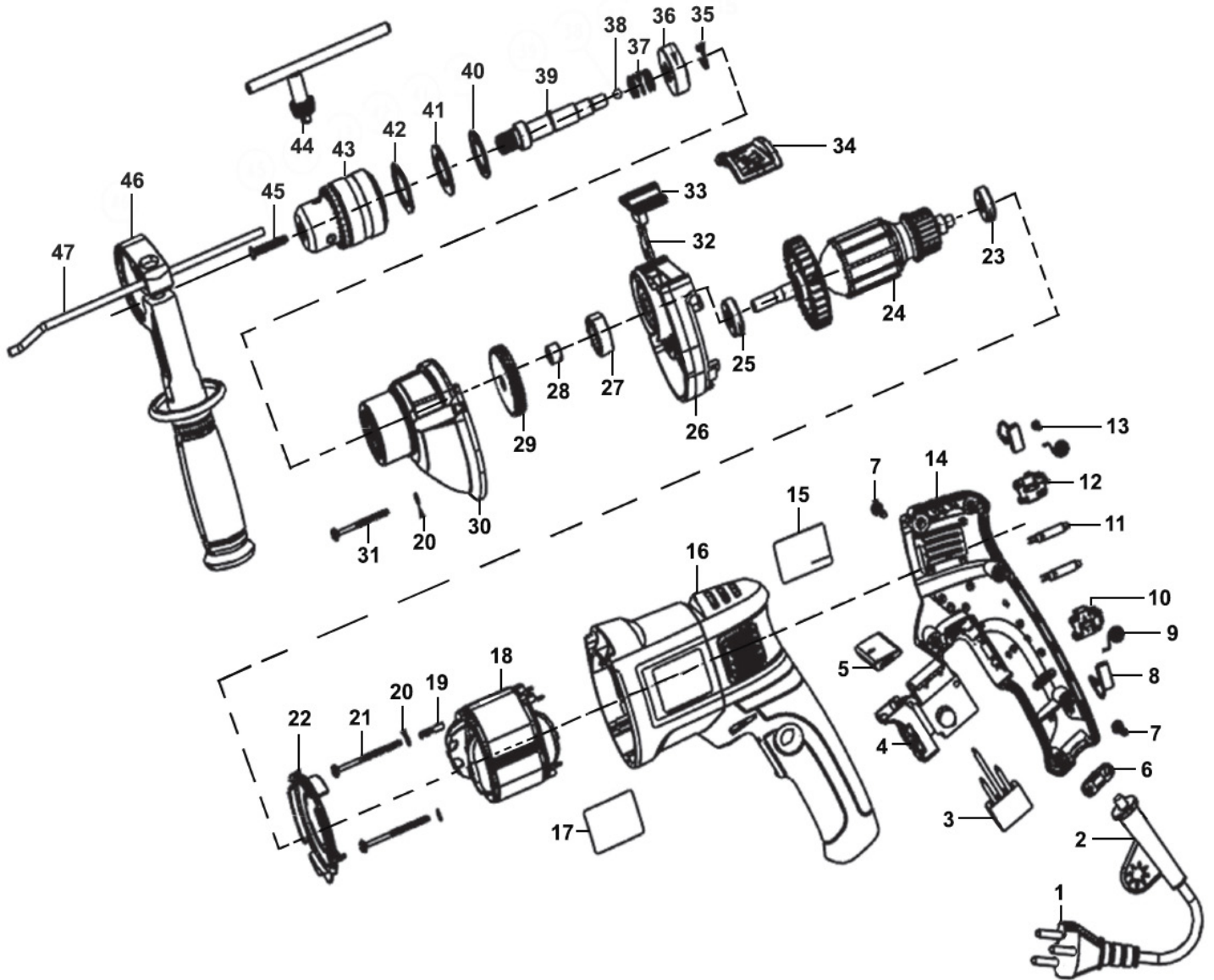




Parts Information:
Hammer Drill 13mm Variable Speed with
Reverse 850W/230V
Model No: SD800.V3



NOTE: It is our policy to continually improve products and as such we reserve the right to alter data, specifications and component parts without prior notice. There may be alternative versions of this product, please contact us should you require this information.

IMPORTANT: No liability is accepted for incorrect use of product. Spare parts must be fitted by a competent person

WARRANTY: Guarantee is 12 months from purchase date, proof of which will be required for any claim.

Sealey Group, Kempson Way, Suffolk Business Park, Bury St Edmunds, Suffolk. IP32 7AR



01284 757500



01284 703534



sales@sealey.co.uk



www.sealey.co.uk



Parts Information:
**Hammer Drill 13mm Variable Speed with
Reverse 850W/230V
Model No: SD800.V3**

Item	Part No.	Description
1	SD1000.V3-01	Cable
2	SD1000.V3-02	Cable Armour
3	SD1000.V3-04	Capacitor
4	SD1000.V3-05	Switch Press Button C/W Safety Lock & Speed Control
5	SD1000.V3-06	Reverse/ Forward Lever For Switch
6	SD1000.V3-03	Cable Clip
7	SD1000.V3-07	Tapping Screw St4 x 16
8	SD1000.V3-09	Carbon Brush
9	SD1000.V3-13	Coil Spring
10	SD1000.V3-10	Lower Brush Holder
11	SD1000.V3-11	Inductor
12	SD1000.V3-12	Upper Brush Holder
13	SD800.V3-13	Tapping Screw St3 x 8
14	SD800.V3-14	Right Handle
15	SD800.V3-15	Label, R/H Side
16	SD1000.V3-16	Housing
17	SD800.V3-17	Label, IL/H Side
18	SD800.V3-18	Stator
19	SD1000.V3-19	Waveform Buckle
20	SD1000.V3-20	Plain Washer M4
21	SD800.V3-21	Rd Head S/T Screw M4 X 65 Black
22	SD1000.V3-22	Fan Guide
23	B/627	Bearing 627

Item	Part No.	Description
24	SD800.V3-24	Rotor (165mm Overall Length)
25	B/609Z	Bearing 609z
26	SD800.V3-26	Supporter
27	SD800.V3-27	Calm Impact Tooth
28	B/HK0810	Needle Bearing HK0810
29	SD800.V3-29	Gear
30	SD800.V3-30	Gear Box
31	SD1000.V3-37	Rd Head S/T Screw M4 X 45 Black
32	SD1000.V3-46	Shifting Block
33	SD800.V3-33	Push Button
34	SD1000.V3-48	Push Button Seat
35	HPT500.V2-08	Ext Circlip 10.0mm ID.
36	B/6201	Bearing 6201
37	SD800.V3-37	Spring Dia 14.5mm
38	SD1000.V3-53	Steel Ball 5mm
39	SD800.V3-39	Output Spindle
40	SD800.V3-40	Circlip 32mm
41	SD800.V3-41	Seal Ring
42	SM35CE.V4-137	Int Circlip 37.8mm OD.
43	SD1000.V3-58	Chuck 1.5-13mm 1/2x20unf
44	SM2503.DCK	Drill Chuck Key
45	SD800.V3-45	Left Hand Thread Chuck Screw M5 x 25 Black
46	SD800.V3-46	Side Handle
47	SD1000.V3-62	Scale

NOTE: It is our policy to continually improve products and as such we reserve the right to alter data, specifications and component parts without prior notice. There may be alternative versions of this product, please contact us should you require this information.

IMPORTANT: No liability is accepted for incorrect use of product. Spare parts must be fitted by a competent person

WARRANTY: Guarantee is 12 months from purchase date, proof of which will be required for any claim.

Sealey Group, Kempson Way, Suffolk Business Park, Bury St Edmunds, Suffolk. IP32 7AR



01284 757500



01284 703534



sales@sealey.co.uk



www.sealey.co.uk