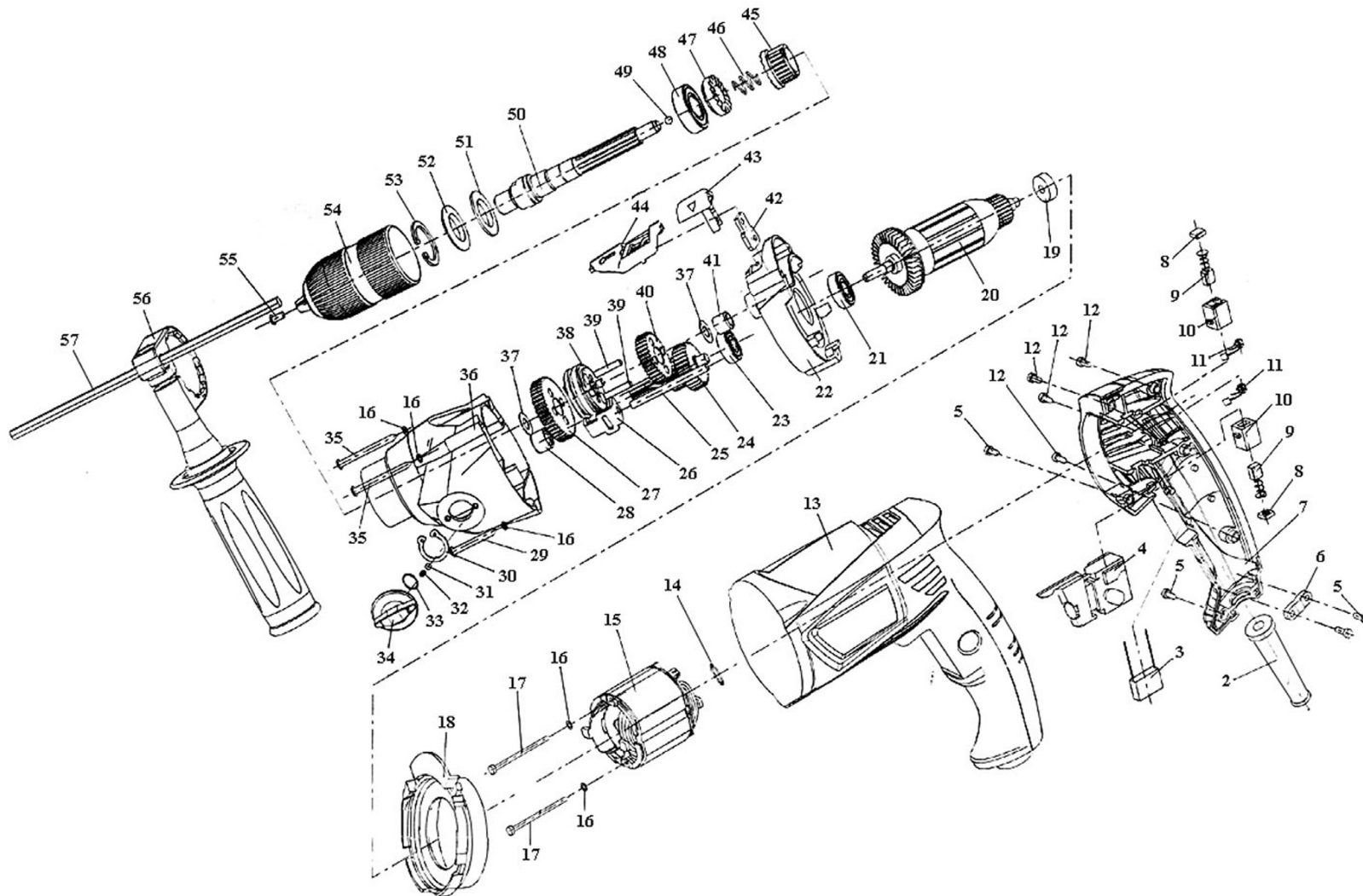




Parts Information:
Hammer Drill 13mm 2 Mechanical/Variable Speed 1050W/230V
Model No: SD1000.V2



NOTE: It is our policy to continually improve products and as such we reserve the right to alter data, specifications and component parts without prior notice.

There may be alternative versions of this product, please contact us should you require this information.

IMPORTANT: No liability is accepted for incorrect use of product. Spare parts must be fitted by a competent person

WARRANTY: Guarantee is 12 months from purchase date, proof of which will be required for any claim.

Sealey Group, Kempson Way, Suffolk Business Park, Bury St Edmunds, Suffolk. IP32 7AR



01284 757500



01284 703534



sales@sealey.co.uk



www.sealey.co.uk



Parts Information:
**Hammer Drill 13mm 2 Mechanical/Variable
 Speed 1050W/230V
 Model No: SD1000.V2**

Item	Part No.	Description
2	SD1000.V2-02	Cable Grip
3	SD1000.V2-03	Capacitor
4	SD1000.V2-04	Switch, Push Button (c/w Speed Control & Reverse)
5	PC300SDAV3103	Rd Head S/T Screw M4 x 16mm
6	SD1000.V2-06	Cable Clip
7	SD1000.V2-07	Handle Cover
8	SD1000.V2-08	Brush Cap
9	SD1000.V2-09	Carbon Brush
10	SD1000.V2-10	Brush Holder
11	SD1000.V2-11	Inductor
12	SD1000.V2-12	Rd Head S/T Screw M4 x 20mm
13	SD1000.V2-13	Housing
14	SA29V3-41	O-Ring
15	SD1000.V2-15	Stator
16	FWM4.S	Flat Washer M4
17	SD1000.V2-17	Rd Head S/T Screw M4 x 70mm
18	SD1000.V2-18	Fan Guide
19	B/627ZZ	Bearing
20	SD1000.V2-20	Rotor
21	B/609-2RS	Bearing
22	SD1000.V2-22	Support
23	B/607ZZ	Bearing
24	SD1000.V2-24	Middle Gear
25	SD1000.V2-25	Pin
26	SD1000.V2-26	Slide
27	SD1000.V2-27	Slow Gear
28	B/HK071410	Needle Bearing
29	SD1000.V2-29	Rd Head S/T Screw M4 x 40mm
30	MC4500.P5	Circlip
31	SB-4.0	Steel Ball
32	SD1000.V2-32	Spring
33	SD1000.V2-33	Seal Ring
34	SD1000.V2-34	Knob

Item	Part No.	Description
35	SD1000.V2-35	Rd Head S/T Screw M4 x 60mm
36	SD1000.V2-36	Gearbox
37	SD1000.V2-37	Washer 1/2"
38	SD1000.V2-38	Clutch
39	SD1000.V2-39	Gudgeon Pin
40	SD1000.V2-40	Quick Gear
41	SD1000.V2-41	Needle Bearing
42	SD1000.V2-42	Slide
43	SD1000.V2-43	Push Button
44	SD1000.V2-44	Seat, Push Button
45	SD1000.V2-45	Impact Tooth, Idle
46	SD1000.V2-46	Spring
47	SD1000.V2-47	Impact Tooth, Active
48	B/6002ZZ	Bearing
49	SB-5.0	Steel Ball
50	SD1000.V2-50	Spindle
51	SD1000.V2-51	Felt Washer
52	SD1000.V2-52	Seal Ring
53	SD1000.V2-53	Circlip
54	SD1000.V3-58	Chuck Key, T-Shape
55	SD1000.V2-55	Chuck Screw M6 x 25mm, LH
56	SD1000.V2-56	Side Handle
57	SD1000.V2-57	Scale
--	SD1000.V2-58	Wood drill bit 5mm (Not Shown)
--	SD1000.V2-59	Wood drill bit 6mm (Not Shown)
--	SD1000.V2-60	Wood drill bit 8mm (Not Shown)
--	SD1000.V2-61	Masonry drill bit 6mm (Not Shown)
--	SD1000.V2-62	Masonry drill bit 8mm (Not Shown)
--	SD1000.V2-63	Masonry drill bit 10mm (Not Shown)
--	SD1000.V2-64	Hss drill bit 3mm (Not Shown)
--	SD1000.V2-65	Hss drill bit 4.5mm (Not Shown)
--	SD1000.V2-66	Hss drill bit 5mm (Not Shown)
--	SD1000.V2-67	Hss drill bit 6mm (Not Shown)
--	DC/J-38K-T	Chuck Key T-Shape (Not Shown)

NOTE: It is our policy to continually improve products and as such we reserve the right to alter data, specifications and component parts without prior notice. There may be alternative versions of this product, please contact us should you require this information.

IMPORTANT: No liability is accepted for incorrect use of product. Spare parts must be fitted by a competent person

WARRANTY: Guarantee is 12 months from purchase date, proof of which will be required for any claim.

Sealey Group, Kempson Way, Suffolk Business Park, Bury St Edmunds, Suffolk. IP32 7AR



01284 757500



01284 703534



sales@sealey.co.uk



www.sealey.co.uk