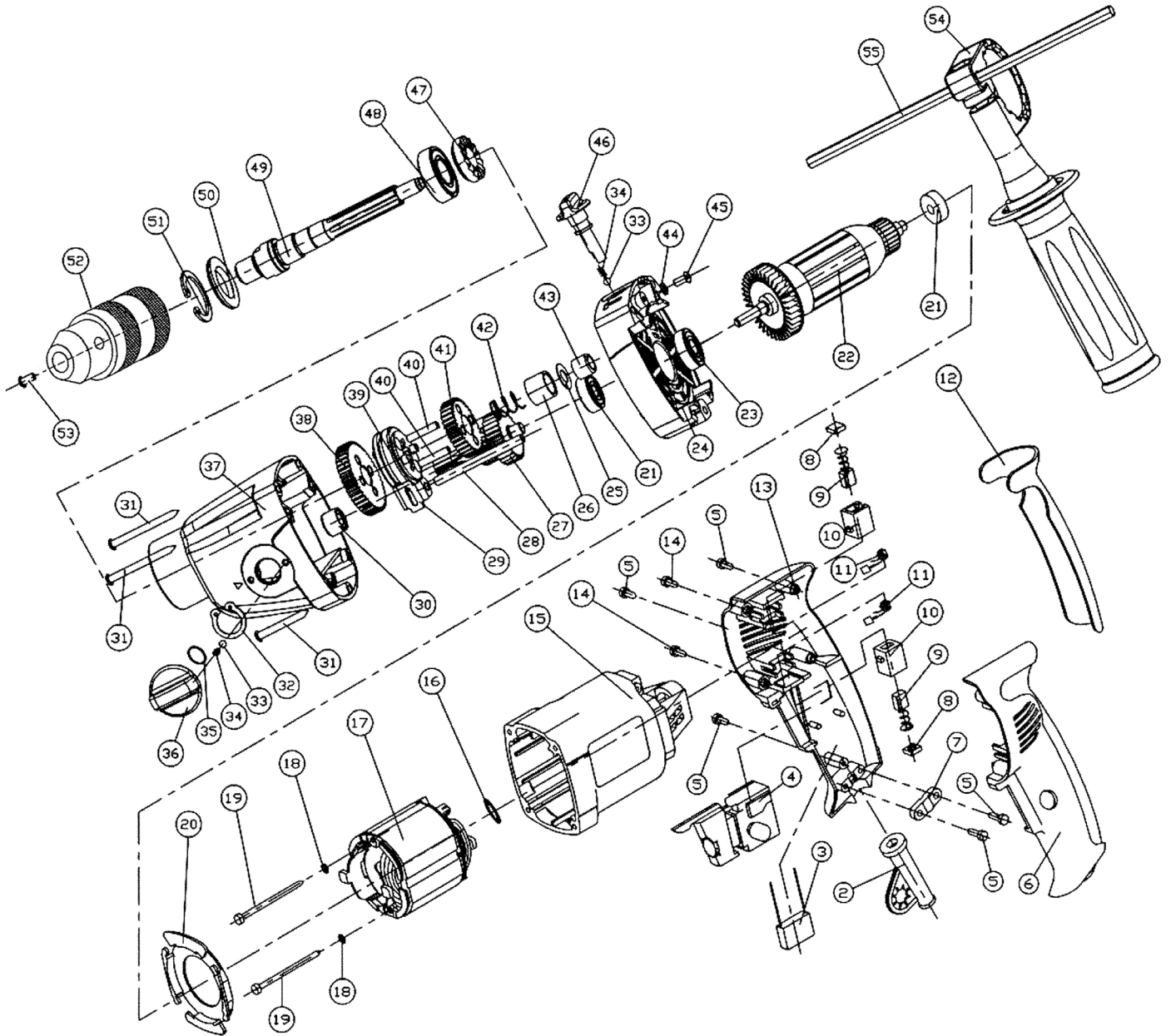




Parts Information:
Hammer Drill 13mm 2 Mechanical/Variable
Speed 1000W/230V
Model No: SD1000



NOTE: It is our policy to continually improve products and as such we reserve the right to alter data, specifications and component parts without prior notice. There may be alternative versions of this product, please contact us should you require this information.

IMPORTANT: No liability is accepted for incorrect use of product. Spare parts must be fitted by a competent person

WARRANTY: Guarantee is 12 months from purchase date, proof of which will be required for any claim.

Sealey Group, Kempson Way, Suffolk Business Park, Bury St Edmunds, Suffolk. IP32 7AR



01284 757500



01284 703534



sales@sealey.co.uk



www.sealey.co.uk



Parts Information:
**Hammer Drill 13mm 2 Mechanical/Variable
Speed 1000W/230V
Model No: SD1000**

Item	Part No.	Description
2	SD1000.02	Cable Arbor
3	SD1000.03	Capacitor
4	SD1000.04	Switch, Push Button (c/w Speed Control & Reverse)
5	SD1000.05	Tapping Screw
6	SD1000.06	Handle, Left
7	SD1000.07	Cable Clip
8	SD1000.08	Brush Cap
9	SD1000.09	Carbon Brush
10	SD1000.10	Brush Holder
11	SD1000.11	Inductor
12	SD1000.12	Soft Grip
13	SD1000.13	Handle, Right
14	SD1000.14	Tapping Screw
15	SD1000.15	Housing
16	SD1000.16	O-Ring
17	SD1000.17	Stator
18	SD1000.18	Washer
19	SD1000.19	Tapping Screw
20	SD1000.20	Fan Guide
21	B/627ZZ	Bearing
22	SD1000.22	Rotor
23	B/609-2RS	Bearing
24	SD1000.24	Support
25	SD1000.25	Washer
26	SD1000.26	Spacer
27	SD1000.27	Middle Gear
28	SD1000.28	Pin
29	SD1000.29	Slide

Item	Part No.	Description
30	B/HK0810	Needle Bearing
31	SD1000.31	Tapping Screw
32	SD1000.32	Circlip
33	SB-4.0	Steel Ball
34	SD1000.34	Spring A
35	SD1000.35	Rubber Ring
36	SD1000.36	Knob A
37	SD1000.37	Gear Box
38	SD1000.38	Gear, Idle
39	SD1000.39	Clutch
40	SD1000.40	Gudgeon Pin
41	SD1000.41	Gear, Active
42	SD1000.42	Spring B
43	B/HK071410	Needle Bearing
44	SD1000.44	Spring Washer
45	SD1000.45	Screw M4 x 10mm
46	SD1000.46	Knob B
47	SD1000.47	Impact Tooth
48	B/6002-2RS	Bearing
49	SD1000.49	Output Spindle
50	SD1000.50	Seal Ring
51	SD1000.51	Circlip
52	SD1000.V3-58	Chuck
53	SD1000.53	Screw M5 x 25mm
54	SD1000.54	Side Handle
55	SD1000.V2-57	Scale
--	SM2503.DCK	Drill Chuck Key (Not Shown)
--	SD1000KC	Keyless Chuck (Not Shown)

NOTE: It is our policy to continually improve products and as such we reserve the right to alter data, specifications and component parts without prior notice. There may be alternative versions of this product, please contact us should you require this information.

IMPORTANT: No liability is accepted for incorrect use of product. Spare parts must be fitted by a competent person

WARRANTY: Guarantee is 12 months from purchase date, proof of which will be required for any claim.

Sealey Group, Kempson Way, Suffolk Business Park, Bury St Edmunds, Suffolk. IP32 7AR



01284 757500



01284 703534



sales@sealey.co.uk



www.sealey.co.uk