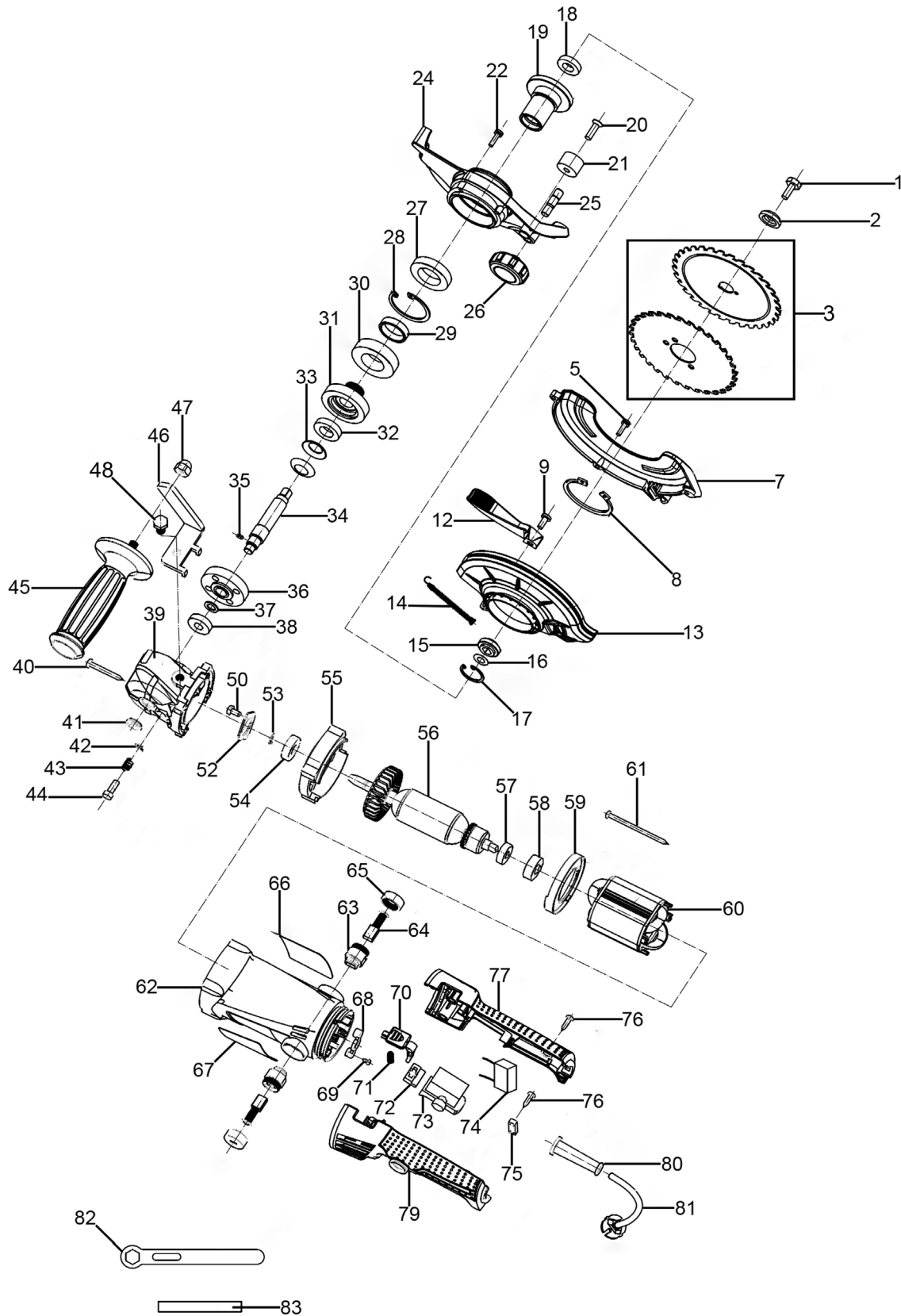




Parts Information:
Cut-Off Saw Twin Blade Ø125mm - 920W
230V
Model No: SCT125



NOTE: It is our policy to continually improve products and as such we reserve the right to alter data, specifications and component parts without prior notice. There may be alternative versions of this product, please contact us should you require this information.

IMPORTANT: No liability is accepted for incorrect use of product. Spare parts must be fitted by a competent person

WARRANTY: Guarantee is 12 months from purchase date, proof of which will be required for any claim.

Sealey Group, Kempson Way, Suffolk Business Park, Bury St Edmunds, Suffolk. IP32 7AR



01284 757500



01284 703534



sales@sealey.co.uk



www.sealey.co.uk



Parts Information:
**Cut-Off Saw Twin Blade Ø125mm - 920W
 230V**
Model No: SCT125

Item	Part No.	Description
1	SCT125.01	Bolt M6 x 18mm
2	SCT125.02	Outer Flange
3	SCT125B	Blade Set
5	SCT125.05	Rd Head S/T Screw M4 x 16mm, Black
7	SCT125.07	Blade Guard
8	SCT125.08	Circlip
9	SCT125.09	Rd Head S/T Screw M5 x 14mm, Black
12	SCT125.12	Connecting Rod
13	SCT125.13	Movable Guard
14	SCT125.14	Return Spring
15	SCT125.15	Inner Flange
16	FWM4.SB	Flat Washer M4, Black
17	SCT125.17	Circlip
18	B/6901ZZ	Bearing
19	SCT125.19	Shaft Sleeve
20	SCT125.20	Screw M6 x 24mm
21	SCT125.21	Limit Stop
22	SCT125.22	Csk Screw M4 x 22mm, Black, LH
24	SCT125.24	Fixed Guard
25	SCT125.25	Roller Spindle
26	SCT125.26	Lubricating Roller
27	SCT125.27	Bearing
28	SCT125.28	Circlip
29	SCT125.29	Distance Seal
30	B/6005	Bearing
31	SCT125.31	Gear
32	B/6902ZZ	Bearing
33	SCT125.33	Oval Ring
34	SCT125.34	Output Shaft
35	SCT125.35	Pin
36	SCT125.36	Lower Gear
37	FWM8.SB	Flat Washer M8, Black
38	B/609Z	Bearing
39	SCT125.39	Gear Case
40	SCT125.40	Rd Head S/T Screw M3.8 x 32mm, Black
41	SCT125.41	Cover, Gear Case
42	SM1304.V2-12	Circlip
43	SCT125.43	Spring
44	SCT125.44	Lock Pin
45	SCT125.45	Side Handle

Item	Part No.	Description
46	SCT125.46	Support, Side Handle
47	SN8.SD	Steel Nut M8, Domed
48	SCB816.S	Socket Cap Bolt M8 x 16mm
50	MSP514.SB	Machine Screw Pan Head Phillips M5 x 14mm, Black
52	SCT125.52	Bearing Cover
53	ER1700PD.37	Circlip
54	B/6200Z	Bearing
55	SCT125.55	Rotor Cover
56	SCT125.56	Rotor
57	B/608	Bearing
58	SCT125.58	Bearing Cover
59	SCT125.59	Baffle
60	SCT125.60	Stator
61	SCT125.61	Rd Head S/T Screw M4 x 74mm, Black
62	SCT125.62	Housing
63	SCT125.63	Holder, Carbon Brush
64	SCT125.64	Carbon Brush
65	SCT125.65	Cover, Carbon Brush
66	SCT125.66	Label A
67	SCT125.67	Label B
68	SCT125.68	Cable Grip
69	SCT125.69	Rd Head S/T Screw M4 x 8mm, Black
70	SCT125.70	Rotary Button
71	SCT125.71	Spring, Rotary Button
72	SCT125.72	Sliding Block
73	SCT125.73	Switch, Push Button (c/w Lock)
74	SCT125.74	Capacitor
75	SCT125.75	Cable Clamp
76	MSP416.SB	Machine Screw Pan Head, Phillips M4 x 16mm, Black
77	SCT125.77	Handle, Right
79	SCT125.79	Handle, Left
80	SCT125.80	Cable Sheath
81	SCT125.81	Power Cord (c/w Plug)
82	SCT125.82	Wrench
83	SCT125L	Lubricating Sticks (Pack of 10)
--	SWM4.SB	Spring Washer M4, Black (Not Shown)
--	SWM5.SB	Spring Washer M5, Black (Not Shown)
--	SCT125.11	Washer M5 (Not Shown)
--	SWM8.SB	Spring Washer M8, Black (Not Shown)

NOTE: It is our policy to continually improve products and as such we reserve the right to alter data, specifications and component parts without prior notice. There may be alternative versions of this product, please contact us should you require this information.

IMPORTANT: No liability is accepted for incorrect use of product. Spare parts must be fitted by a competent person

WARRANTY: Guarantee is 12 months from purchase date, proof of which will be required for any claim.

Sealey Group, Kempson Way, Suffolk Business Park, Bury St Edmunds, Suffolk. IP32 7AR



01284 757500



01284 703534



sales@sealey.co.uk



www.sealey.co.uk