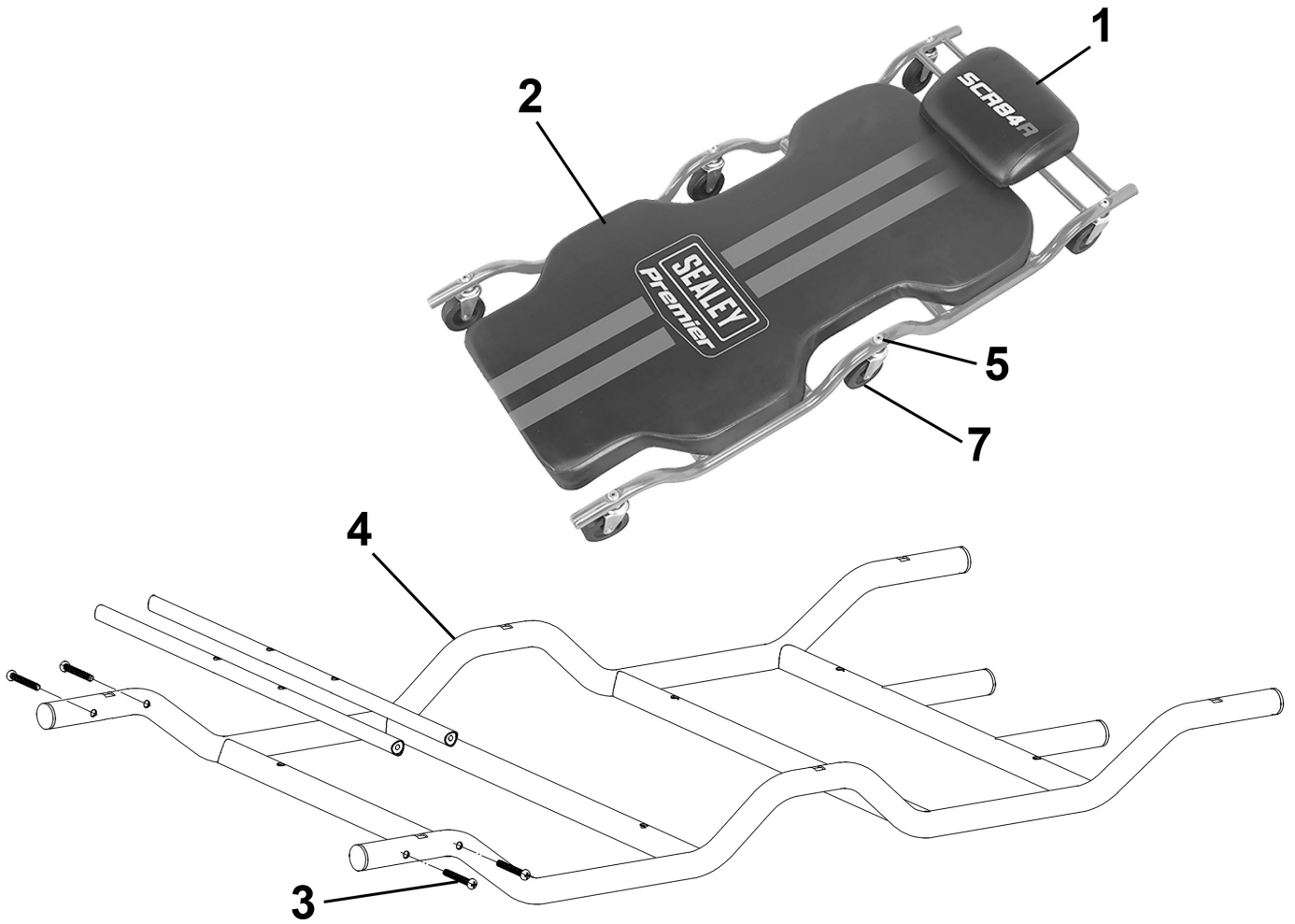




Parts Information:
**Steel Creeper with 6 Wheels & Headrest
 Deluxe**
Model No: SCR84.V2



Item	Part No.	Description
1	SCR84.V2-01	Headrest Cushion
2	SCR84.V2-02	Main Cushion (Red/Black)
3	SCR84.V2-03	Screw for Main Cushion
4	SCR84.V2-04	Main Frame (Red)

Item	Part No.	Description
5	SCR84.V2-05	Castor Wheel Nut
--	SCR84.V2-06	Spring Washer (now shown)
7	SCR84.V2-07	Ø75mm Castor Wheel (Black)

NOTE: It is our policy to continually improve products and as such we reserve the right to alter data, specifications and component parts without prior notice. There may be alternative versions of this product, please contact us should you require this information.

IMPORTANT: No liability is accepted for incorrect use of product. Spare parts must be fitted by a competent person

WARRANTY: Guarantee is 12 months from purchase date, proof of which will be required for any claim.

Sealey Group, Kempson Way, Suffolk Business Park, Bury St Edmunds, Suffolk. IP32 7AR



01284 757500



01284 703534



sales@sealey.co.uk



www.sealey.co.uk