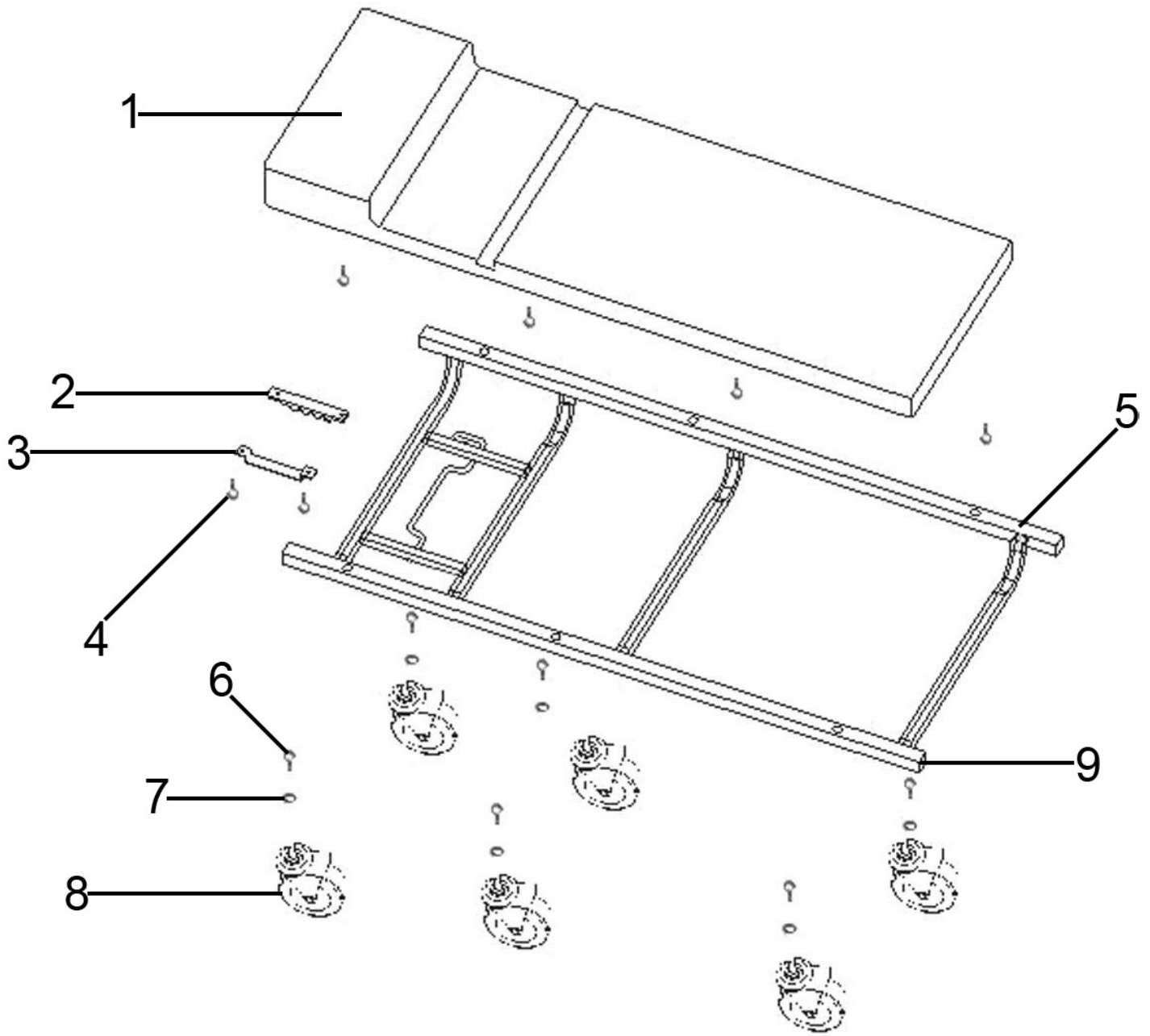




Parts Information:  
**Creeper 40" with Steel Frame, 6 Wheels & Adjustable Headrest Deluxe American-Style**  
**Model No: SCR74.V2**



Item	Part No.	Description
1	SCR74.V2-01	Main Cushion
2	SCR74.V2-02	Hinge, Upper
3	SCR74.V2-03	Hinge, Lower
4	MSC620.S	Csk Phillips Machine Screw M6 x 20mm
5	SCR74.V2-05	Base Frame

Item	Part No.	Description
6	SCR74.V2-06	Castor Nut
7	SWM10.S	Spring Washer M10
8	SCR74.V2-08	Wheel, Swivel Castor
9	SCR74.V2-09	End Cap

**NOTE:** It is our policy to continually improve products and as such we reserve the right to alter data, specifications and component parts without prior notice. There may be alternative versions of this product, please contact us should you require this information.

**IMPORTANT:** No liability is accepted for incorrect use of product. Spare parts must be fitted by a competent person

**WARRANTY:** Guarantee is 12 months from purchase date, proof of which will be required for any claim.

**Sealey Group**, Kempson Way, Suffolk Business Park, Bury St Edmunds, Suffolk. IP32 7AR



01284 757500



01284 703534



sales@sealey.co.uk



www.sealey.co.uk