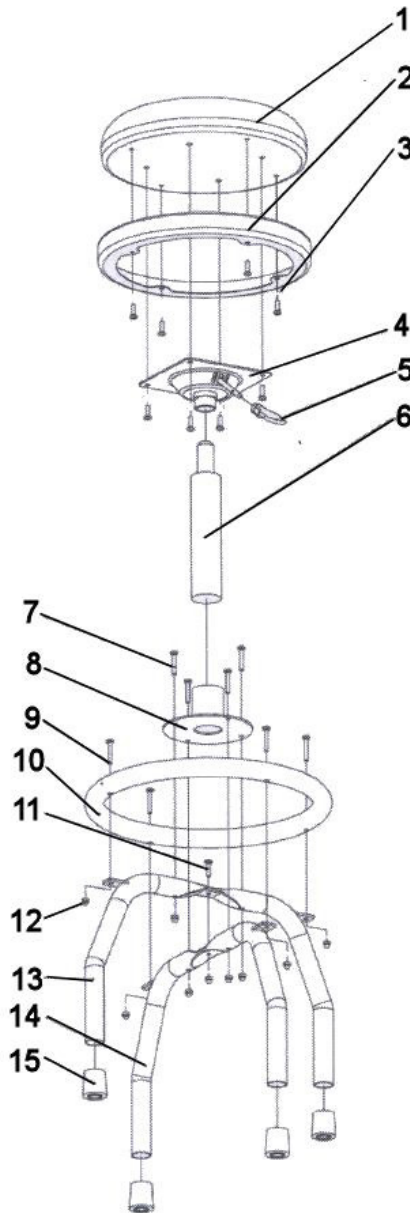


Parts Information:
**Workshop Stool Heavy-Duty Pneumatic
 with Adjustable Height Swivel Seat
 Model No: SCR17**



Item	Part No.	Description
1	SCR17.01	CUSHION
2	SCR17.02	METAL CIRCLE
3	SCR17.03	M6x20mm BOLT
4	SCR17.04	UP AND DOWN SWITCH
5	SCR17.05	HANDLE
6	SCR17.06	PNUEMATIC PUMP
7	SCR17.07	M6x40mm BOLT
8	SCR17.08	METAL BASE

Item	Part No.	Description
9	SCR17.09	M6x38mm BOLT
10	SCR17.10	FOOT RING
11	SCR17.11	M6x30mm BOLT
12	SCR17.12	M6 NUT
13	SCR17.13	UP LEG
14	SCR17.14	DOWN LEG
15	SCR17.15	RUBBER CAP

NOTE: It is our policy to continually improve products and as such we reserve the right to alter data, specifications and component parts without prior notice.

IMPORTANT: No liability is accepted for incorrect use of product.

WARRANTY: Guarantee is 12 months from purchase date, proof of which will be required for any claim.