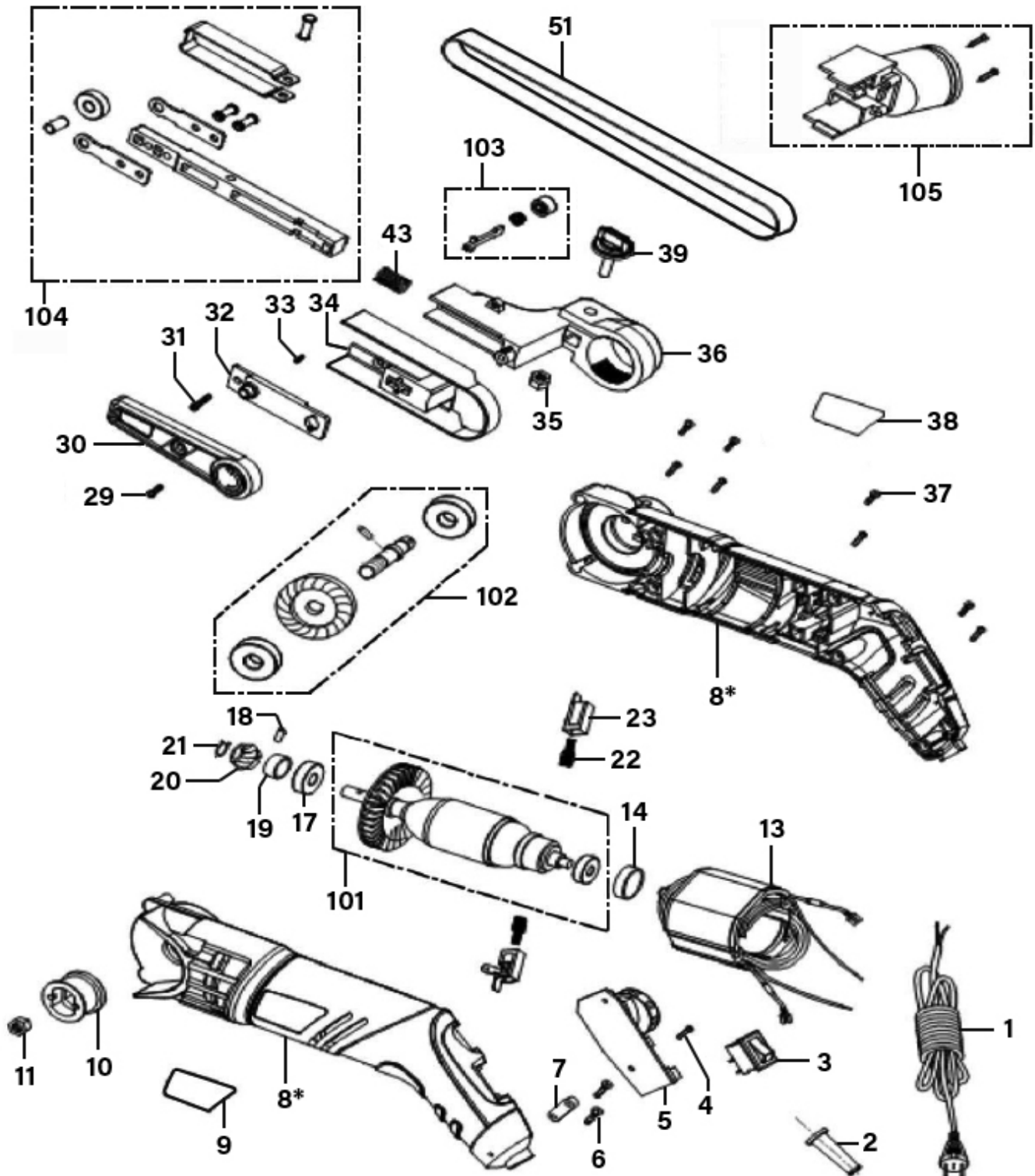




Parts Information:
**Variable Speed Belt Sander 12 x 456mm
260W
Model No: SBS260.V2**



NOTE: It is our policy to continually improve products and as such we reserve the right to alter data, specifications and component parts without prior notice. There may be alternative versions of this product, please contact us should you require this information.

IMPORTANT: No liability is accepted for incorrect use of product. Spare parts must be fitted by a competent person

WARRANTY: Guarantee is 12 months from purchase date, proof of which will be required for any claim.

Sealey Group, Kempson Way, Suffolk Business Park, Bury St Edmunds, Suffolk. IP32 7AR



01284 757500



01284 703534



sales@sealey.co.uk



www.sealey.co.uk



Parts Information:
**Variable Speed Belt Sander 12 x 456mm
260W
Model No: SBS260.V2**

Item	Part No.	Description
1	SBS260.01	Power Cord
2	SBS260.02	Cable Sleeve
3	SBS260.V2-03	Switch 'New Style'
4	SBS260.04	Tapping Screw (St3.0x8 'f')
5	SBS260.05	Circuit Board
6	SBS260.06	Rd Head S/T Screw M4.1 X 16 Black
7	SBS260.07	Cable Clamp
8	SBS260.V2-08	Housing Complete 'New Style'
9	SBS260.09	Housing Label, Left Side
10	SBS260.10	Drum Wheel
11	SN6.S	Steel Nut M6 Zinc
13	SBS260.13	Stator
14	SBS260.14	Damping Ring
17	B/626-2RS	Bearing 626-2rs
18	SBS260.18	Round Pin
19	SBS260.19	Pin Bush
20	SBS260.20	Pinion
21	SBS260.21	Circlip For Shaft 6mm
22	SBS260.22	Carbon Brush
23	SBS260.23	Carbon Brush Holder
29	SBS260.29	Pan Head Screw (M4)
30	SBS260.30	Sanding Belt Cover Board

Item	Part No.	Description
31	SBS260.31	Pan Head Screw (M4)
32	SBS260.32	Cover Plate
33	SBS260.33	Pan Head Screw (M3)
34	SBS260.34	Sanding Belt Guard
35	SN5.S	Steel Nut M5 Zinc
36	SBS260.36	Base
37	SBS260.37	Tapping Screw (St3.0x12)
38	SBS260.38	Housing Label, Right Side
39	SBS260.39	Knob
43	SBS260.43	Spring Dia 8mm
51	SBS35/B40GW	Sanding Belt 12 x 456mm 40Grit Pack of 5
51	SBS35/B60GW	Sanding Belt 12 x 456mm 60Grit Pack of 5
51	SBS35/B80GW	Sanding Belt 12 x 456mm 80Grit Pack of 5
51	SBS35/B100GW	Sanding Belt 12 x 456mm 100Grit Pack of 5
51	SBS35/B120GW	Sanding Belt 12 x 456mm 120Grit Pack of 5
101	SBS260.101	Rotor Ass'y
102	SBS260.102	Gear Wheel Ass'y
103	SBS260.103	Button Ass'y
104	SBS260.104	Tension Arm Ass'y
105	SBS260.105	Dust Extraction Ass'y
--	SBS260.104A	Tension arm & Base Ass'y (31,32,36,43,103 & 104) (Not Shown)
--	B/608-2RS	Bearing 608-2rs (Not Shown)

NOTE: It is our policy to continually improve products and as such we reserve the right to alter data, specifications and component parts without prior notice. There may be alternative versions of this product, please contact us should you require this information.

IMPORTANT: No liability is accepted for incorrect use of product. Spare parts must be fitted by a competent person

WARRANTY: Guarantee is 12 months from purchase date, proof of which will be required for any claim.

Sealey Group, Kempson Way, Suffolk Business Park, Bury St Edmunds, Suffolk. IP32 7AR



01284 757500



01284 703534



sales@sealey.co.uk



www.sealey.co.uk