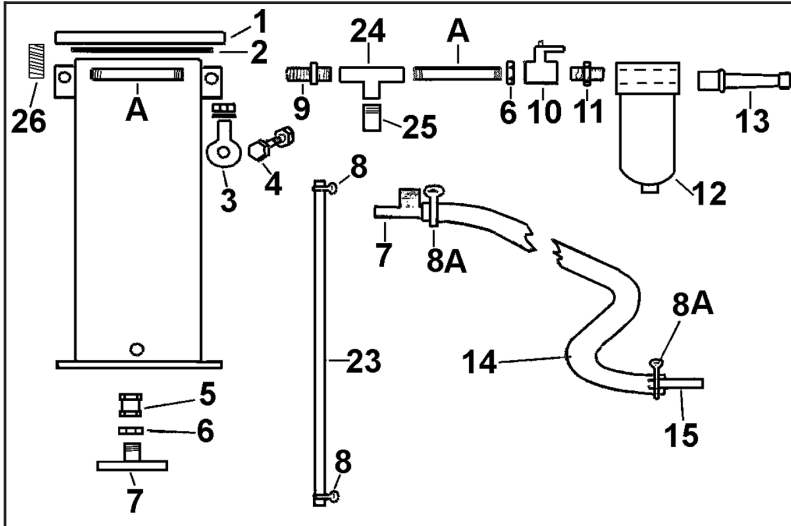
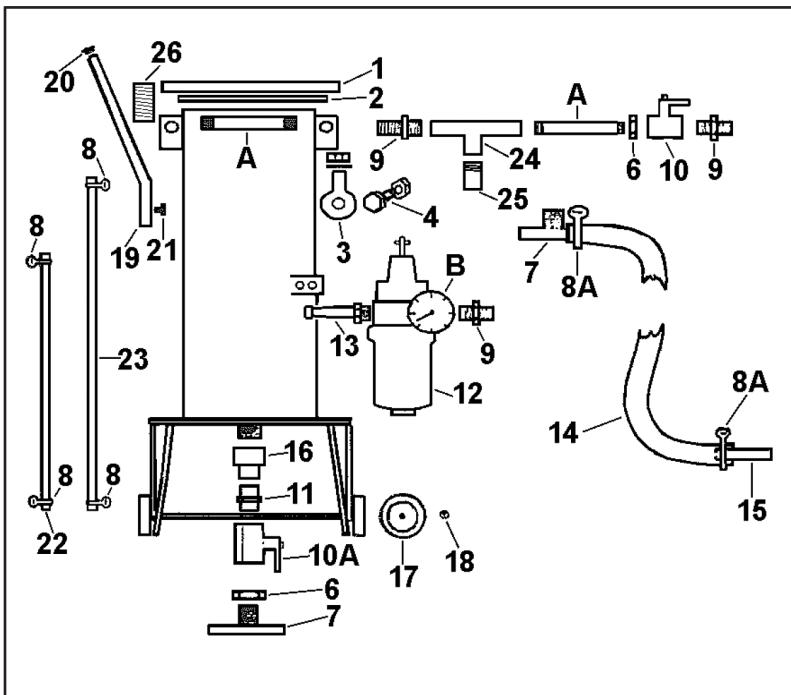


Issue: 2  
Date Issued: 26/02/2009



### MODEL: SB990

Item	Part No.	Description
1	SB990/01	Lid
2	SB990/02	Rubber Gasket
3	SB990/03	Eye Bolt, Nut & Washer
4	SB990/04	3/8.UNF Bolt & Nyloc Nut
5	SB990/05	Socket
6	SB990/06	Locknut
7	SB990/07	.T. Piece, Lower Outlet
8	SB990/08	Hose Clip
8A	SB990/08A	Hose Clip
9	SB990/09	1/4. Hose Tail
10	SB990/10	Ball Valve
11	SB990/11	1/4.-1/4. Nipple
12	SA106F	Air Filter
13	AC04	Adaptor
14	SB990/14	Blast Hose, 10mm x 3m
15	SB990/15	Nozzle, Tungsten Carbide
23	SB990/23	Connecting Hose, 750mm
24	SB990/24	.T. Fitting, 1/4. BSP
25	SB990/25	Pressure Release Valve
26	SB990/26	Spring



### MODEL: SB991

Item	Part No.	Description
1	SB990/01	Lid
2	SB990/02	Rubber Gasket
3	SB990/03	Eye Bolt, Nut & Washer
4	SB990/04	3/8.UNF Bolt & Nyloc Nut
5	SB990/05	Socket
6	SB990/06	Locknut
7	SB990/07	.T. Piece, Lower Outlet
8	SB990/08	Hose Clip
8A	SB990/08A	Hose Clip
9	SB990/09	1/4. Hose Tail
10	SB990/10	Ball Valve, Air
10A	SB990/10	Ball Valve, Grit
11	SB990/11	1/4.-1/4. Nipple
12	SA106FR	Air Filter / Regulator
13	AC04	Adaptor
14	SB990/14	Blast Hose, 10mm x 3m
15	SB990/15	Nozzle, Tungsten Carbide
16	SB991/16	Adaptor, 1/2. - 1/4. Female
17	SB991/17	Wheel
18	SB991/18	Starlock Washer
19	SB991/19	Handle
20	SB991/20	Cap, Handle
21	SB991/21	Bolt
22	SB991/22	Connecting hose, 500mm
23	SB991/23	Connecting Hose, 750mm
24	SB990/24	.T. Fitting, 1/4. BSP
25	SB990/25	Pressure Release Valve
26	SB990/26	Spring

#### Workshop Shot Blaster

Models: **SB990 & SB991**

97/23/EC Pressure Equipment Directive  
93/68/EEC CE Marking Directive

#### Declaration of Conformity

We, the sole importer into the UK, declare that the products listed here are in conformity with the following standards and directives.



The construction files for these products are held by the Manufacturer and may be inspected, by a national authority, upon request to Jack Sealey Ltd.

Signed by Mark Sweetman

26th February 2009

For Jack Sealey Ltd. Sole importer into the UK of Sealey Power Products.

**NOTE:** It is our policy to continually improve products and as such we reserve the right to alter data, specifications and component parts without prior notice.

**IMPORTANT:** No liability is accepted for incorrect use of product.

**WARRANTY:** Guarantee is 12 months from purchase date, proof of which will be required for any claim.

**INFORMATION:** For a copy of our latest catalogue and promotions call us on 01284 757525 and leave your full name and address, including postcode.