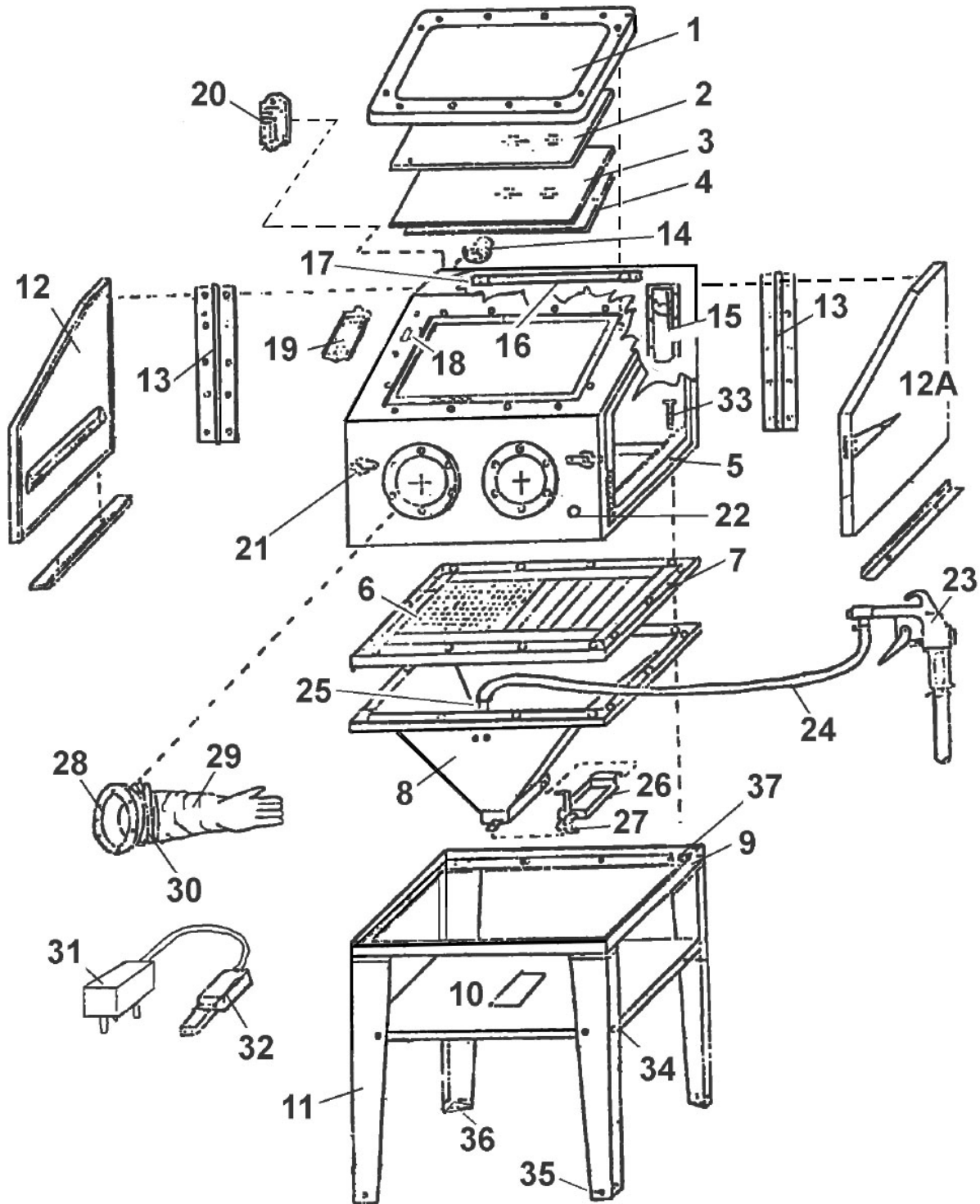


Parts Information:
**Shot Blasting Cabinet Double Access 960
 x 720 x 1500mm**
Model No: SB974



NOTE: It is our policy to continually improve products and as such we reserve the right to alter data, specifications and component parts without prior notice. There may be alternative versions of this product, please contact us should you require this information.

IMPORTANT: No liability is accepted for incorrect use of product. Spare parts must be fitted by a competent person

WARRANTY: Guarantee is 12 months from purchase date, proof of which will be required for any claim.



Parts Information:
**Shot Blasting Cabinet Double Access 960
x 720 x 1500mm**
Model No: SB974

Item	Part No.	Description
1	SB974.V3-01	Plastic Frame
2	SB974.V3-02	Organic Glass(600mm x 300mm x 2mm)
3	SB974.V3-03	Glass 305mm x 610mm x 4.5mm
4	SB973.V3-04	Protection Film
5	SB974/05	Cabinet
6	SB974/06	Net
7	SB974/07	Net Shelf
8	SB974.V3-08	Funnel
9	SB974.V3-09	Frame
10	SB974.V3-10	Shelf
11	SB974.V3-11	Leg For Front Right Side/Back Left Side
12	SB974.V3-12	Door (Left) (Plastic)
12A	SB974.V3-12A	Door (Right) (Plastic)
13	SB974/13A	Hinge
14	SB974.V3-14	Flange
15	SB974/15	Air Input Cover
16	SB974/16	Lamp
17	SB974/17	Clamp
18	M/MIG250.12	Switch, On/Off Illuminated Rocker (16a/250V)
19	SB974.V3-19	Housing For Rocker Switch

Item	Part No.	Description
20	SB974.V3-20	Socket
21	SB974.V3-21	Lock
22	SB974.V3-22	Air Input (inc Protecting Ring)
23	SB974.V3-23	Sanding Gun
24	SB974.V3-24	Sanding Input Hose
25	SB974.V3-25	Sand Input Pipe
26	SB974/26	Funnel Cover
27	SB974.V3-27	Hook
28	SB974.V3-28	Glove Mounting Flange
29	SSP41	Shot Blasting Gauntlets 585mm Cuffed Pair
30	SB974.V3-30	Clamp
31	SB951/C/27-1	Transformer
32	SB974.V3-32	Plug
33	MSP630.S	Pan Head Machine Screw M6x30
34	SB974/34	Screw
35	SB974/35	Screw
36	SB974/36	Moulding
37	SB974/37	Screw
--	TP200.19	Hose (Not Shown)
--	SB974.V3-23-1	Sanding gun nozzle (pk of 4) (Not Shown)

NOTE: It is our policy to continually improve products and as such we reserve the right to alter data, specifications and component parts without prior notice. There may be alternative versions of this product, please contact us should you require this information.

IMPORTANT: No liability is accepted for incorrect use of product. Spare parts must be fitted by a competent person

WARRANTY: Guarantee is 12 months from purchase date, proof of which will be required for any claim.

Sealey Group, Kempson Way, Suffolk Business Park, Bury St Edmunds, Suffolk. IP32 7AR



01284 757500



01284 703534



sales@sealey.co.uk



www.sealey.co.uk