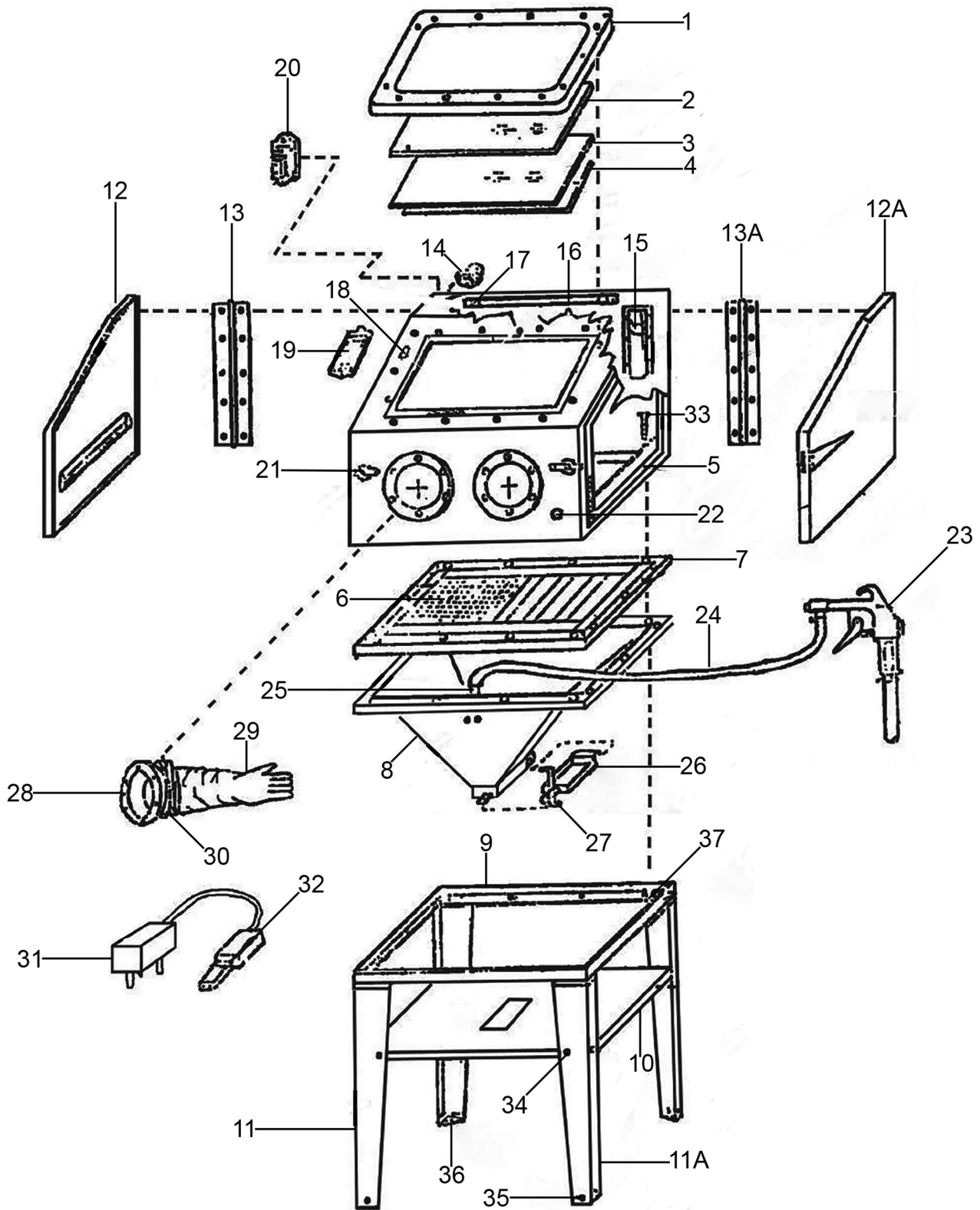


Parts Information:
**Shot Blasting Cabinet Double Access 960
 x 720 x 1500mm**
Model No: SB974.V3



NOTE: It is our policy to continually improve products and as such we reserve the right to alter data, specifications and component parts without prior notice. There may be alternative versions of this product, please contact us should you require this information.

IMPORTANT: No liability is accepted for incorrect use of product. Spare parts must be fitted by a competent person

WARRANTY: Guarantee is 12 months from purchase date, proof of which will be required for any claim.



Parts Information:
**Shot Blasting Cabinet Double Access 960
x 720 x 1500mm**
Model No: SB974.V3

Item	Part No.	Description
1	SB974.V3-01	Plastic Frame
2	SB974.V3-02	Organic Glass
3	SB974.V3-03	Glass
4	SB974.V3-04	Protection Film
5	SB974.V3-05	Cabinet
6	SB974.V3-06	Grille
7	SB974.V3-07	Net Shelf
8	SB974.V3-08	Funnel
9	SB974.V3-09	Frame
10	SB974.V3-10	Shelf
11	SB974.V3-11	Leg, Front Right/Rear Left
11A	SB974.V3-11A	Leg, Front Left/Rear Right
12	SB974.V3-12	Door, Left
12A	SB974.V3-12A	Door, Right
13	SB974.V3-13	Hinge, Left
13A	SB974.V3-13A	Hinge, Right
14	SB974.V3-14	Flange
15	SB973.V3-06	Intake Vent Cover
16	SB974.V3-16A	Lamp
17	SB974.V3-17A	Lamp Bracket
18	SB974.V3-18	Switch, Power Rocker

Item	Part No.	Description
19	SB974.V3-19	Housing, Switch
20	SB974.V3-20	Socket
21	SB974.V3-21	Lock
22	SB974.V3-22	Air Input (c/w Protecting Ring)
23	SB974.V3-23	Sanding Gun
24	SB974.V3-24	Sanding Input Hose
25	SB974.V3-25	Sand Input Pipe
26	SB974.V3-26	Funnel Cover
27	SB974.V3-27	Hook
28	SB974.V3-28	Flange, Glove Mount
29	SSP41	Gloves (Pair)
30	SB974.V3-30	Clamp
31	SB974.V3-31	Transformer
32	SB974.V3-32	Plug
33	SB974.V3-33	Screw
34	SB974.V3-34	Screw
35	SB974.V3-35	Screw
36	SB974.V3-36	Moulding
37	SB974.V3-37	Screw
--	SB974.V3-31A	Transformer, Euro (Not Shown)

NOTE: It is our policy to continually improve products and as such we reserve the right to alter data, specifications and component parts without prior notice. There may be alternative versions of this product, please contact us should you require this information.

IMPORTANT: No liability is accepted for incorrect use of product. Spare parts must be fitted by a competent person

WARRANTY: Guarantee is 12 months from purchase date, proof of which will be required for any claim.

Sealey Group, Kempson Way, Suffolk Business Park, Bury St Edmunds, Suffolk. IP32 7AR



01284 757500



01284 703534



sales@sealey.co.uk



www.sealey.co.uk