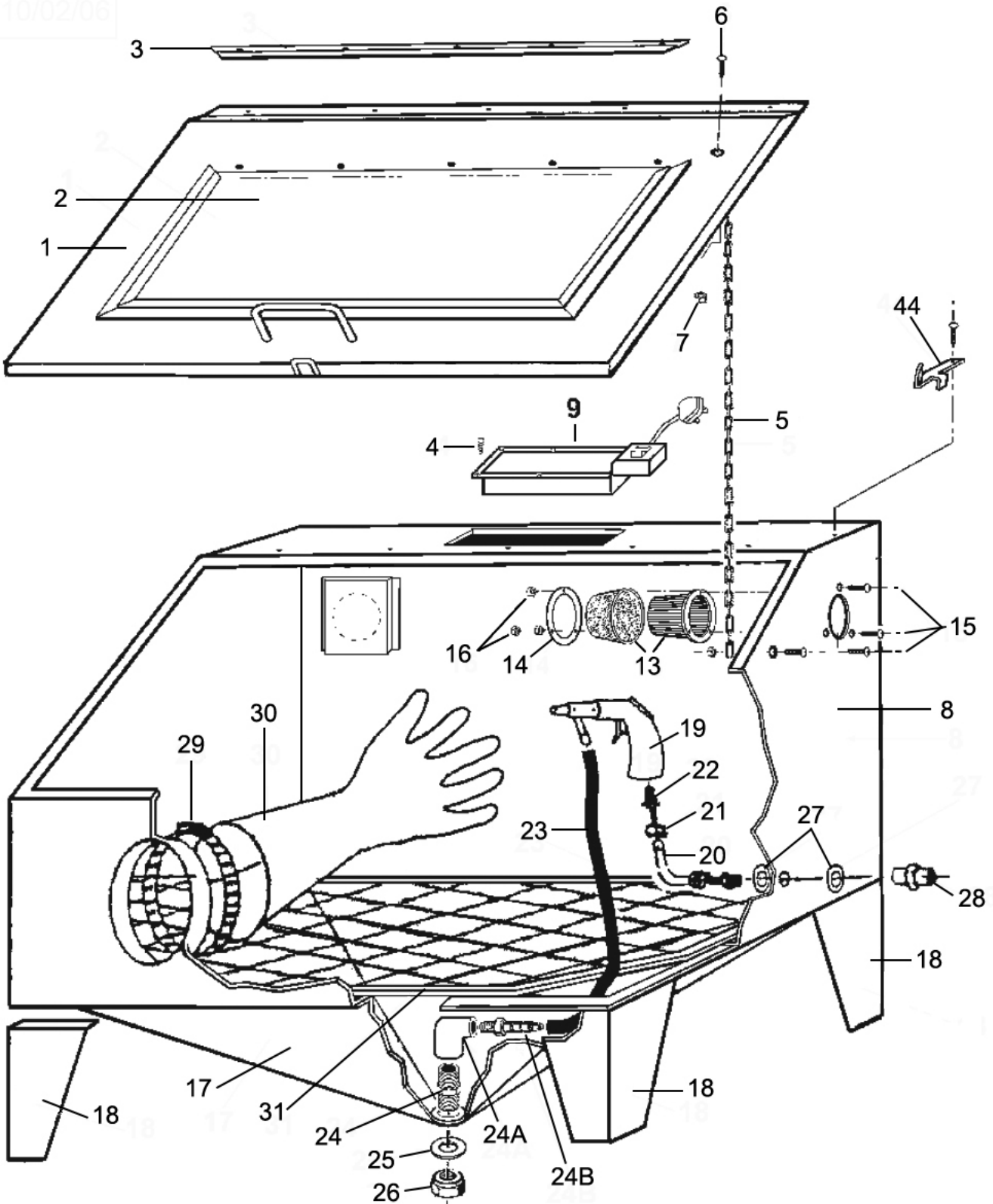


10/02/06



**NOTE:** It is our policy to continually improve products and as such we reserve the right to alter data, specifications and component parts without prior notice. There may be alternative versions of this product, please contact us should you require this information.

**IMPORTANT:** No liability is accepted for incorrect use of product. Spare parts must be fitted by a competent person

**WARRANTY:** Guarantee is 12 months from purchase date, proof of which will be required for any claim.



Parts Information:  
**Shot Blasting Cabinet 760 x 510 x 710mm**  
**Model No: SB972.V3**

Item	Part No.	Description
1	SB972/01	Lid, Top
2	SB972/01-1	Pvc Replacement Window
3	SB972/01-2	Bracket, Window
4	SB972/01-3	Screw Self Tapping
5	SB972/01-4	Chain
6	SB972/01-5	Screw
7	SN4.S	Nut
8	SB972/02	Body
9	SB972.V3-WL	Worklight
13	SB970.V3-04	Air Filter
14	SB972.V4-15	Anchor Plate
15	SB972/02-7	Screw
16	SN3.S	Steel Nut M3 zinc din934 (Single)
17	SB972/03	Tank, Base
18	SB972/04	Leg
19	SB993.V2-05	Suction Gun
20	SB972/06	Air Hose
21	SB951.V4-19	Hose Clamp 1/4"
22	SB972.V4-33	Connector

Item	Part No.	Description
23	SB972/09	Plastic Suction Hose
24	SB972/10	Steel Suction Connector
24A	SB972/10-3	90* Connector
24B	SB972/10-4	1/2 x 1/4 Connector
25	SB972/11	Repair Washer M12x30
26	NLN58.UNC	Nyloc Nut 5/8" unc (Single)
27	FWM16.S	Flat Washer M16 (Single)
28	SB972/12	Air Hose Connector
29	SB951.V4-20	Glove Clamp
30	SB972/14	Pair Of Gloves
31	SB972/15	Screen, Mesh
44	SB972.44	Lid Latch
--	SB972/ST	Stand for SB972 (Not Shown)
--	SB972/T	Transformer (Not Shown)
--	SB951/C/12A	Ceramic nozzle 5mm (Not Shown)
--	SB951/C/12B	Ceramic nozzle 6mm (Not Shown)
--	SB951/C/12C	Ceramic nozzle 7mm (Not Shown)
--	SB973.V3-04	Protection film (Not Shown)
--	SB974.V3-23-1	Sanding gun nozzle (pk of 4) (Not Shown)

**NOTE:** It is our policy to continually improve products and as such we reserve the right to alter data, specifications and component parts without prior notice. There may be alternative versions of this product, please contact us should you require this information.

**IMPORTANT:** No liability is accepted for incorrect use of product. Spare parts must be fitted by a competent person

**WARRANTY:** Guarantee is 12 months from purchase date, proof of which will be required for any claim.

**Sealey Group**, Kempson Way, Suffolk Business Park, Bury St Edmunds, Suffolk. IP32 7AR



01284 757500



01284 703534

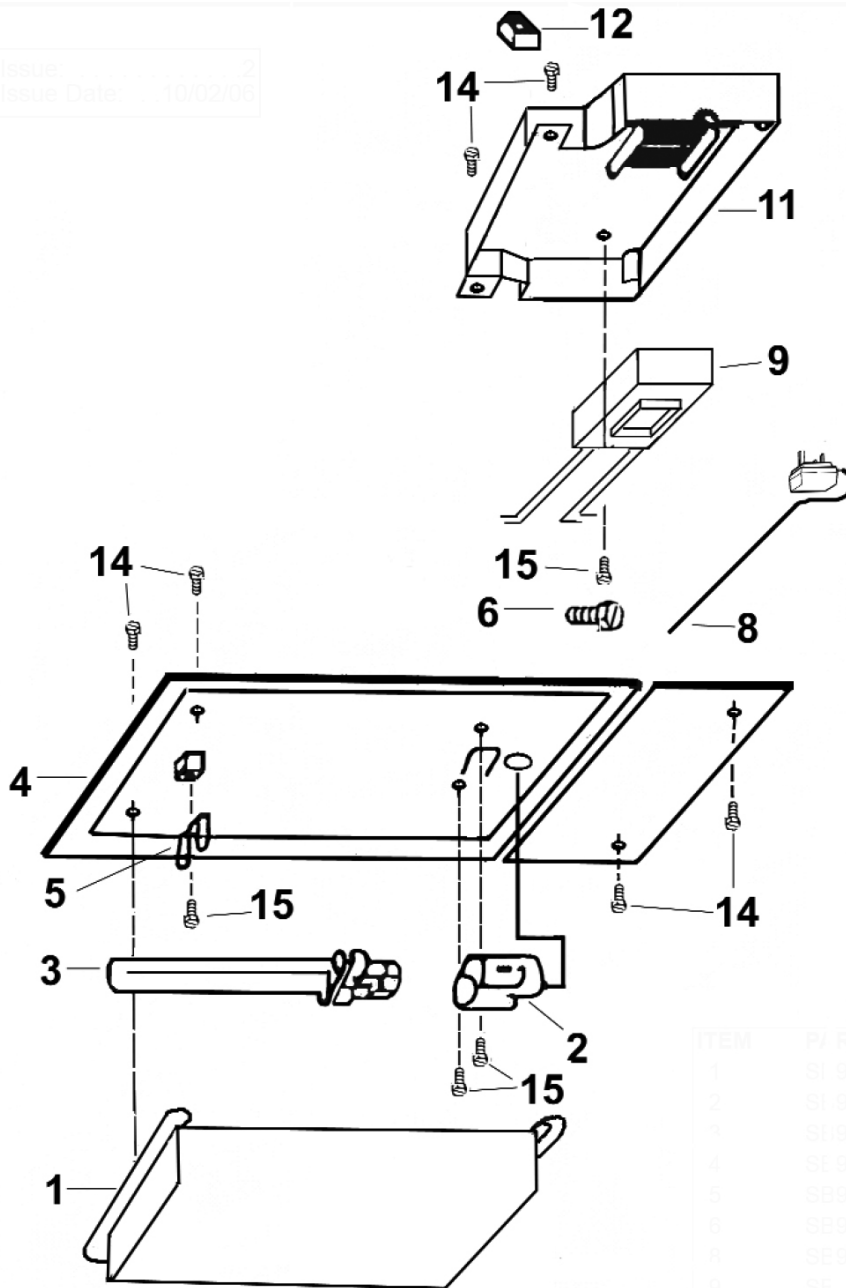


sales@sealey.co.uk



www.sealey.co.uk

Issue: 2  
 Issue Date: 10/02/06



ITEM	PART NO.
1	SB972/WL-01
2	SB972/WL-02
3	SB972/WL-03
4	SB972/WL-04
5	SB972/WL-05
6	SB972/WL-06
8	SB972/WL-08
9	SB972/WL-09
10	SB972/WL-10
11	SB972/WL-11
12	SB972/WL-12
14	SB972/WL-14
15	SB972/WL-15

Item	Part No.	Description
1	SB972/WL-01	Lamp Shade For Work Light
2	SB972/WL-02	Lamp Stand For Work Light
3	SB972/WL-03	Lamp For Worklight (Halogen, L:160mm x D:35mm, 13w, 155v)
4	SB972/WL-04	Body Board For Worklight
5	SB972/WL-05	Lamp Clamp For Worklight
6	SB972/WL-06	Connecting Bolt For Worklight

Item	Part No.	Description
8	SB972/WL-08	Power Cord
9	SB972/WL-09	Ballast For Worklight
10	SB972/WL-10	Connecting Wire For Worklight
11	SB972/WL-11	Ballast/Switch Box For Worklight
12	SB972/WL-12	Switch For Worklight
14	SB972/WL-14	3x10mm Screw For Worklight
15	SB972/WL-15	3x8mm Screw For Worklight

**NOTE:** It is our policy to continually improve products and as such we reserve the right to alter data, specifications and component parts without prior notice. There may be alternative versions of this product, please contact us should you require this information.

**IMPORTANT:** No liability is accepted for incorrect use of product. Spare parts must be fitted by a competent person

**WARRANTY:** Guarantee is 12 months from purchase date, proof of which will be required for any claim.