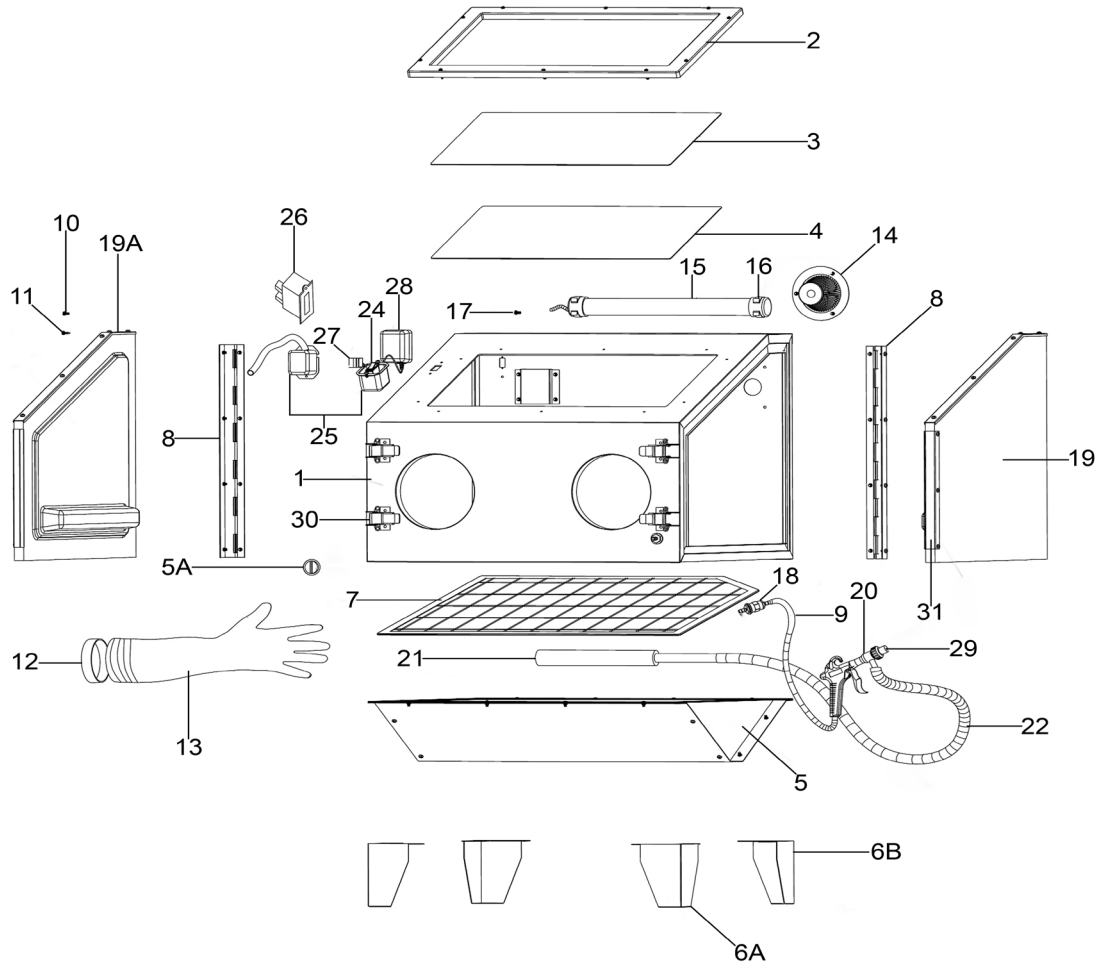


Parts Information:
Shot Blasting Cabinet Double Access 690 x 575 x 620mm
Model No: SB970.V3



Item	Part No.	Description
1	SB970.V3-01	Cabinet
2	SB970.V3-02	Frame
3	SB970.V3-03	Organic Glass
4	SB970.V3-04	Protective Film
5	SB970.V3-05	Base
5A	SB970.V3-05A	Plug
6A	SB970.V3-06A	Leg, Right Front/Left Rear
6B	SB970.V3-06B	Leg, Left Front/Right Rear
7	SB970.V3-07	Mesh
8	SB970.V3-08	Hinge
9	SB970.V3-09	Air Inlet Tube
10	SB970.V3-10	Screw
11	SB970.V3-11	Rd Head S/T Screw M4.8 x 16mm
12	SB970.V3-12	Clamp
13	SB970.V3-13	Gloves
14	SB970.V3-14	Filter
15	SB970.V3-15	Lamp

Item	Part No.	Description
16	SB974.V3-17	Clamp
17	SB970.V3-17	Screw
18	SB970.V3-18	Connector
19	SB970.V3-19	Door, Right
19A	SB970.V3-19A	Door, Left
20	SB974.V3-23	Sanding Gun
21	SB970.V3-21	Input Pipe
22	SB970.V3-22	Input Hose
24	SB970.V3-24	Power Switch
25	SB970.V3-25	Socket Housing
26	SB974.V3-20	Socket
27	SB974.V3-32	Plug
28	SB974.V3-31	Transformer
29	SB974N4	Ceramic Sand Gun Blasting Nozzles
30	SB974.V3-21	Lock
31	SB970.V3-31	Base
--	SB972.V4-15	Pressing Ring (Not Shown)

NOTE: It is our policy to continually improve products and as such we reserve the right to alter data, specifications and component parts without prior notice. There may be alternative versions of this product, please contact us should you require this information.

IMPORTANT: No liability is accepted for incorrect use of product. Spare parts must be fitted by a competent person

WARRANTY: Guarantee is 12 months from purchase date, proof of which will be required for any claim.