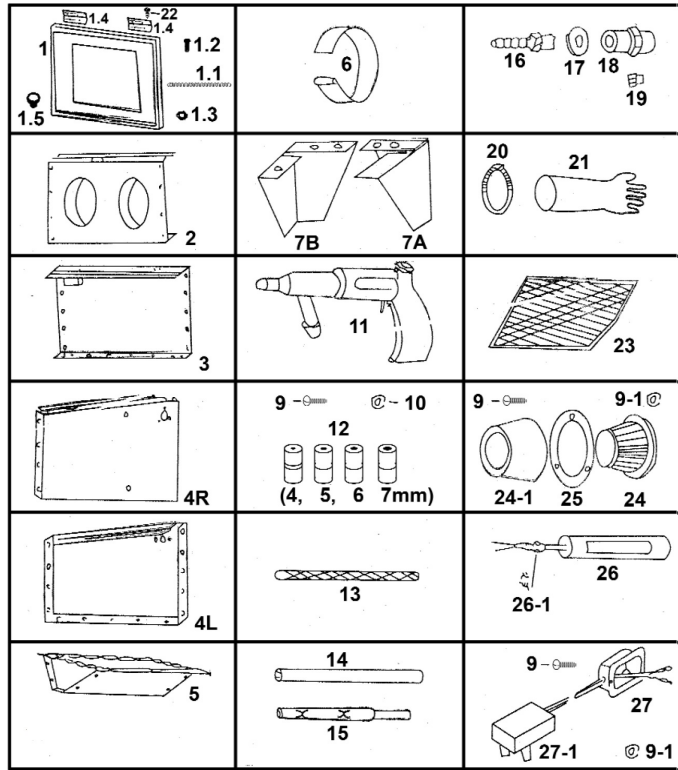




Parts Information:  
**Shot Blast Cabinet with Gun 640 x 490 x 490mm**  
**Model No: SB951.V4**



Item	Part No.	Description
1	SB951.V4-01	Lid, top, transparent
1.1	SB951.V4-1.1	Chain, top lid
1.2	SB951.V4-1.2	Screw
1.3	SB951.V4-1.3	Nut
1.4	SB951.V4-1.4	Hinge
1.5	SB951.V4-1.5	Knob
2	SB951.V4-02	Front panel
3	SB951.V4-03	Rear panel
4L	SB951.V4-04L	Left panel
4R	SB951.V4-04R	Right panel
5	SB951.V4-05	Base
6	SB951.V4-06	Lamp clamp
7A	SB951.V4-07A	Front leg (left)
7B	SB951.V4-07B	Front leg (right)
8	MSP416.S	Machine screw pan head phillips m4x16mm (single)
9	MSP612.S	Machine screw pan head phillips m6x12mm (single)
9.1	SN4.S	Steel nut m4 zinc din934 (single)
10	SB951.V4-10	Nut
11	SB974.V3-23	Sanding gun
12	SB974.V3-23-1	Sanding gun nozzle (pk of 4)

Item	Part No.	Description
13	SB951.V4-13	Air hose
14	SB951.V4-14	Suction hose, plastic
15	SB951.V4-15	Suction hose, steel 12mm x 16mm x 300mm
16	SB972.V4-33	Connector
17	SB951.V4-17	Washer
18	SB951.V4-18	Air supply fitting
19	SB951.V4-19	Hose clamp 1/4"
20	SB951.V4-20	Glove clamp
21	SB951.V4-21	Gloves
22	SB951.V4-22	Screw
23	SB951.V4-23	Screen
24	SB970.V3-14	Filter
24.1	SB951.V4-24.1	Filter
25	SB972.V4-15	Pressing ring
26	SB951.V4-26	Worklight
26.1	SB951.V4-26.1	Cable grip
27	SB951.V4-27	Switch box
27.1	SB951.V4-27.1	Mains transformer
--	SB951.V4-28	Pvc main screen (not shown)
--	SB951.V4-29	Pvc window frame (not shown)
--	SB951.V4-30	Protective sheet (not shown)
--	SB951.V4-31	Cabinnet filter (not shown)

**NOTE:** It is our policy to continually improve products and as such we reserve the right to alter data, specifications and component parts without prior notice.

**IMPORTANT:** No liability is accepted for incorrect use of product.

**WARRANTY:** Guarantee is 12 months from purchase date, proof of which will be required for any claim.

**Sealey Group**, Kempson Way, Suffolk Business Park, Bury St Edmunds, Suffolk. IP32 7AR



01284 757500



01284 703534



sales@sealey.co.uk



www.sealey.co.uk