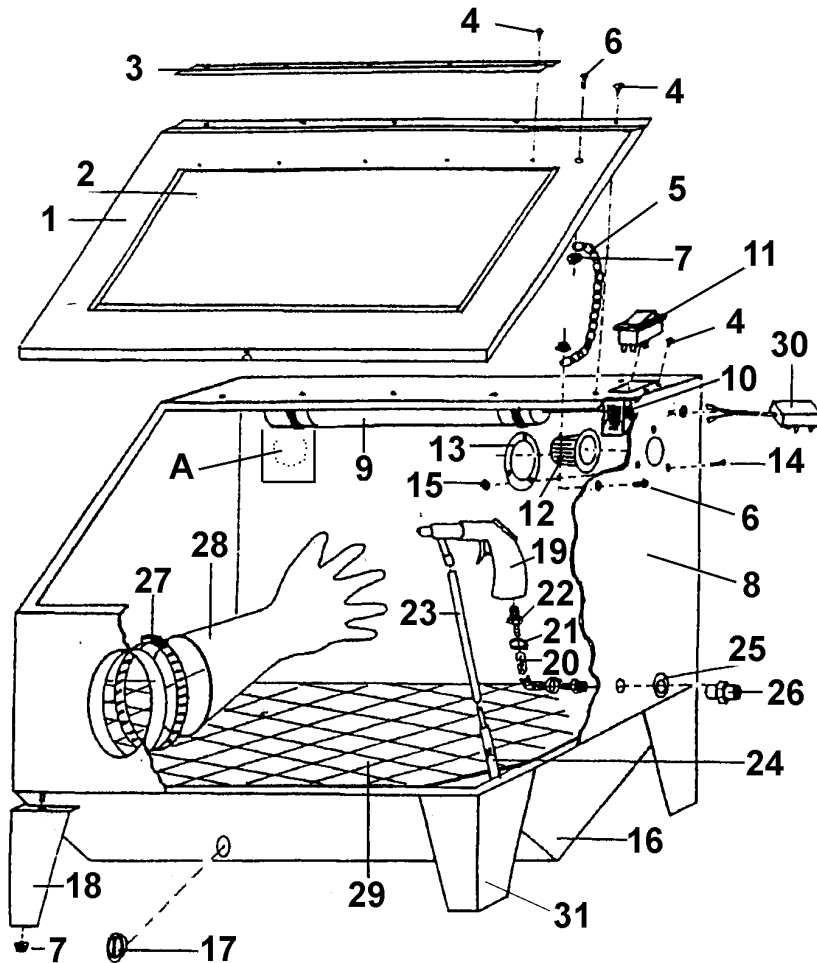


Original Date:- 070200  
 Issue Date:- 070200  
 Version No :- 1  
 Date Modified:- 24/01/01



| ITEM | PART NO<br>SB951 | PART NO<br>SB972 | DESCRIPTION                   | ITEM      | PART NO<br>SB951 | PART NO<br>SB972 | DESCRIPTION                    |
|------|------------------|------------------|-------------------------------|-----------|------------------|------------------|--------------------------------|
| 1    | SB951/01         | SB972/01         | LID, TOP, TRANSPARENT         | 19        | SB951/11         | SB951/11         | GUN, SHOT BLAST                |
| 2    | SB951/01-8       | SB972/01-8       | SCREEN, PERSPEX               | 19        | SB951/12A        | SB951/12A        | NOZZLE, CERAMIC, 5mm           |
| 3    | N/A              | SB972/01-2       | HINGE                         | 19        | SB951/12B        | SB951/12B        | NOZZLE, CERAMIC, 6mm           |
| 4    | SB951/22         | SB972/01-3       | SCREW, SELF-DRILLING          | 19        | SB951/12C        | SB951/12C        | NOZZLE, CERAMIC, 7mm           |
| 5    | SB951/01-1       | SB951/01-1       | CHAIN, LID                    | 20        | SB951/13         | SB951/13         | HOSE, AIR SUPPLY               |
| 6    | SB951/01-2       | SB972/01-5       | SCREW, LID CHAIN              | 21        | SB951/19         | SB951/19         | CLAMP, HOSE, 1/4"              |
| 7    | SB951/01-3       | SB972/01-6       | NUT, LID                      | 22        | SB951/16         | SB951/16         | CONNECTOR, AIR HOSE, 1/4"x1/4" |
| 8    | SB951/04R        | N/A              | PANEL, RIGHT                  | 23        | SB951/14         | SB951/14         | HOSE, PLASTIC SUCTION          |
| 8    | SB951/02         | N/A              | PANEL, FRONT                  | 24        | SB951/15         | SB951/15         | HOSE, STEEL SUCTION            |
| 8    | SB951/03         | N/A              | PANEL, REAR                   | 25        | SB951/17         | SB951/17         | WASHER, 3mm                    |
| 8    | SB951/04L        | N/A              | PANEL, LEFT                   | 26        | SB951/18         | SB951/18         | BUSH, AIR SUPPLY               |
| 8    | N/A              | SB972/02         | BODY                          | 27        | SB951/20         | SB951/20         | CLAMP, GLOVE                   |
| 9    | SB951/06         | SB951/06         | CLAMP, LAMP                   | 28        | SB951/21         | SB951/21         | GLOVES (PAIR)                  |
| 9    | SB951/2-LB       | SB951/2-LB       | LIGHTBULB                     | 29        | SB951/23         | SB972/15         | SCREEN                         |
| 9    | SB951/2-WL       | SB951/2-WL       | LIGHT SET, SHOT BLAST CABINET | 29        | SB951/24         | N/A              | SCREEN                         |
| 10   | SB951/27         | SB951/27         | BOX, WIRE CONNECTION          | 30        | SB951/T          | SB951/T          | TRANSFORMER                    |
| 11   | N/A              | SB972/02-3       | SWITCH                        | 31        | SB951/07B        | SB972/04         | LEG, RIGHT FRONT & REAR LEFT   |
| 12   | SB951/24A        | SB951/24A        | FILTER, AIR                   | 5,6,7     | SB951/01-ASSY    | N/A              | CHAIN ASSEMBLY FOR SB951 LID   |
| 13   | SB951/25         | SB951/25         | PLATE, FILTER SECURING        | not shown |                  | SB951/01-4       | N/A LEAF, MOVEABLE             |
| 14   | SB951/09         | SB951/09         | SCREW, 5/32" x 3/8"           | not shown |                  | SB951/01-5       | N/A NUT, PLASTIC               |
| 15   | SB951/09-1       | SB951/09-1       | NUT, 5/32"                    | not shown |                  | SB951/08         | N/A SCREW, 1/4" x 3/8"         |
| 16   | SB951/05         | SB972/03         | BASE                          | not shown |                  | SB951/10         | N/A NUT, 1/4"                  |
| 17   | N/A              | SB972/03-1       | PLUG, TANK BASE               | not shown |                  | SB951/24-1       | SB951/24-1 COVER, FILTER       |
| 18   | SB951/07A        | SB972/04         | LEG, FRONT LEFT & RIGHT REAR  | not shown |                  | SB951/26-1       | SB951/26-1 CLAMP, CABLE        |

**NOTE:** It is our policy to continually improve products and as such we reserve the right to alter data, specifications and component parts without prior notice.  
**IMPORTANT:** No liability is accepted for incorrect use of product. **WARRANTY:** Guarantee is 12 months from purchase date, proof of which will be required for any claim. **INFORMATION:** Call us for a copy of our latest catalogue on 01284 757525 and leave your full name and address including your postcode.