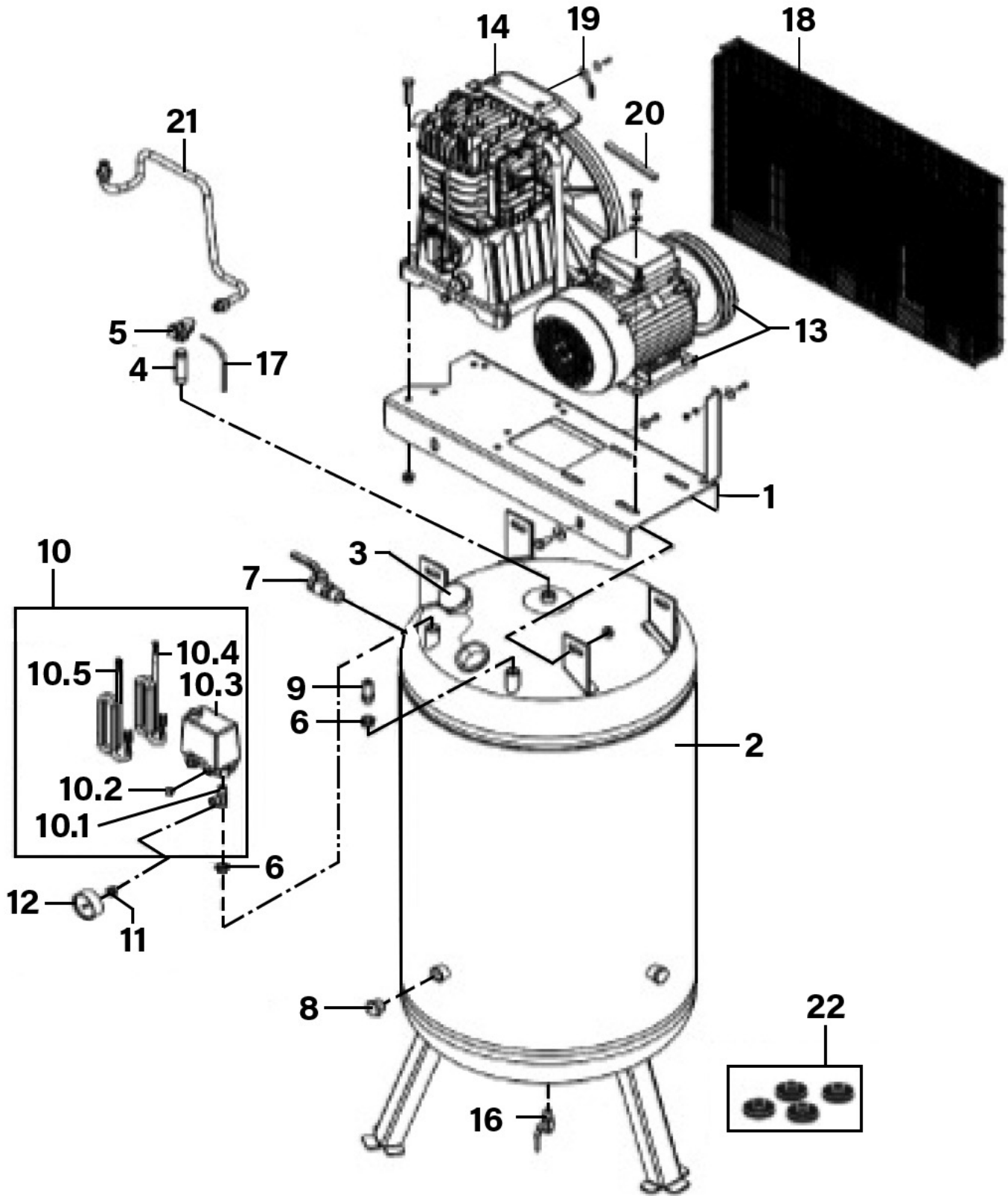




Parts Information:
Air Compressor 270L Vertical Belt Drive
7.5hp 3ph 2-Stage with Cast Cylinders
Model No: SACV52775B



NOTE: It is our policy to continually improve products and as such we reserve the right to alter data, specifications and component parts without prior notice. There may be alternative versions of this product, please contact us should you require this information.

IMPORTANT: No liability is accepted for incorrect use of product. Spare parts must be fitted by a competent person

WARRANTY: Guarantee is 12 months from purchase date, proof of which will be required for any claim.

Sealey Group, Kempson Way, Suffolk Business Park, Bury St Edmunds, Suffolk. IP32 7AR



01284 757500



01284 703534



sales@sealey.co.uk



www.sealey.co.uk



Parts Information:
Air Compressor 270L Vertical Belt Drive
7.5hp 3ph 2-Stage with Cast Cylinders
Model No: SACV52775B

| Item | Part No. | Description |
|------|---------------|----------------------------------------|
| 1 | SAC5011270008 | Base Plate |
| 2 | SAC5151210008 | Tank 270ltr (Vertical) |
| 3 | SAC7090050000 | Tank Plug |
| 4 | SAC7232070000 | Union 1/2"bsp Male x 2 l;81mm |
| 5 | SAC7190150000 | Non-Return Valve |
| 6 | SAC7085020000 | Adaptor 1/2"bsp Male-3/8"bsp Female |
| 7 | SAC7130460000 | Ball Valve 3/4"bsp Male-3/4"bsp Female |
| 8 | SAC7090020000 | Plug, Tank |
| 9 | SAC7192090000 | Safety Valve 10bar 3/8"bsp Male |
| 10 | SAC7250500000 | Pressure Switch 16amp 8-10bar |
| 10.1 | SAC7082690000 | T-Joint 3/8"bsp Male x2-3/8"bsp Female |
| 10.2 | SAC7090070000 | Plug 1/4" |
| 10.3 | SAC7250500000 | Pressure Switch 16amp 8-10bar |
| 10.4 | SAC7328690000 | Power Cable |

| Item | Part No. | Description |
|------|---------------|----------------------------------------|
| 10.5 | SAC7328700000 | Pressure Switch Cable (4x2.5mm) |
| 11 | SAC7085190000 | Fitting 3/8"-1/4" M/F |
| 12 | SAC7110060000 | Gauge 230psi, 60mm od, Rear Fitting |
| 13 | SAC4151350000 | Motor/Pulley Kit (External 5.5hp) |
| 14 | SAC3021070000 | Pump (AB598) |
| 16 | SAC7130150000 | Ball Valve 1/2"bsp Female-1/2"bsp Male |
| 17 | SAC7230010000 | Rislan Hose (Sold Per 1 metre) |
| 18 | SAC4170100000 | Belt Guard Kit |
| 19 | SAC7456190000 | Belt Guard Support |
| 20 | SAC7370230000 | Belt(10mm x 1637mm) |
| 21 | SAC7230640000 | Delivery Tube |
| 22 | SAC4083470000 | Rubber Foot Kit |
| -- | SAC4080520000 | Screw Kit (Not Shown) |

| Item | Part No. | Description |
|------|---------------|--------------------------------------------|
| 1 | SAC4080290000 | Intake Filter Kit |
| 1.4 | SAC7210690000 | Filter Cover |
| 2 | SAC4080850000 | LP Con-Rod/Piston Kit |
| 2.1 | SAC4080840000 | LP Piston Ring Kit |
| 2.2 | SAC7220340000 | Piston |
| 2.3 | SAC7050270000 | Piston Pin |
| 2.5 | SAC5050580008 | Con Rod |
| 3 | SAC4080860000 | HP Con Rod/Piston Kit |
| 3.1 | SAC4080080000 | Piston Ring Set (High) |
| 3.2 | SAC7220120000 | Piston (High) |
| 3.3 | SAC5050580008 | Con Rod |
| 3.4 | SAC7050130000 | Piston Pin |
| 4 | SAC4080920000 | Screw Kit |
| 5 | SAC4082280000 | Gasket Kit |
| 6 | SAC4231230000 | Valve Plate (Squared Ends - Copper Gasket) |
| 7 | SAC5030610008 | Head |
| 8 | SAC5041490008 | Crankshaft |

| Item | Part No. | Description |
|------|---------------|--------------------------------|
| 9 | SAC5071020008 | Crankcase |
| 10 | SAC5130110008 | Aftercooler |
| 11 | SAC7043050000 | Clamp |
| 12 | SAC7051520000 | Key |
| 13 | B/6205 | Bearing 6205 |
| 14 | B/6206 | Bearing 6206 |
| 16 | SAC7081190000 | Joint |
| 17 | SAC7090090000 | Plug 1/4" |
| 18 | SAC9700001377 | Vent Plug |
| 19 | SAC9700000408 | Oil Level Gauge |
| 20 | SAC7192350000 | Safety Valve 1/4"bsp Male 6bar |
| 21 | SAC7201050000 | Flywheel |
| 22 | SAC7232220000 | Aftercooler |
| 23 | SAC7575460000 | Cylinder |
| 24 | SAC7650070000 | Front Cover |
| 25 | SAC7650080000 | Rear Cover |
| 26 | SAC7650090000 | Crankcase Base |

NOTE: It is our policy to continually improve products and as such we reserve the right to alter data, specifications and component parts without prior notice. There may be alternative versions of this product, please contact us should you require this information.

IMPORTANT: No liability is accepted for incorrect use of product. Spare parts must be fitted by a competent person

WARRANTY: Guarantee is 12 months from purchase date, proof of which will be required for any claim.

Sealey Group, Kempson Way, Suffolk Business Park, Bury St Edmunds, Suffolk. IP32 7AR



01284 757500



01284 703534



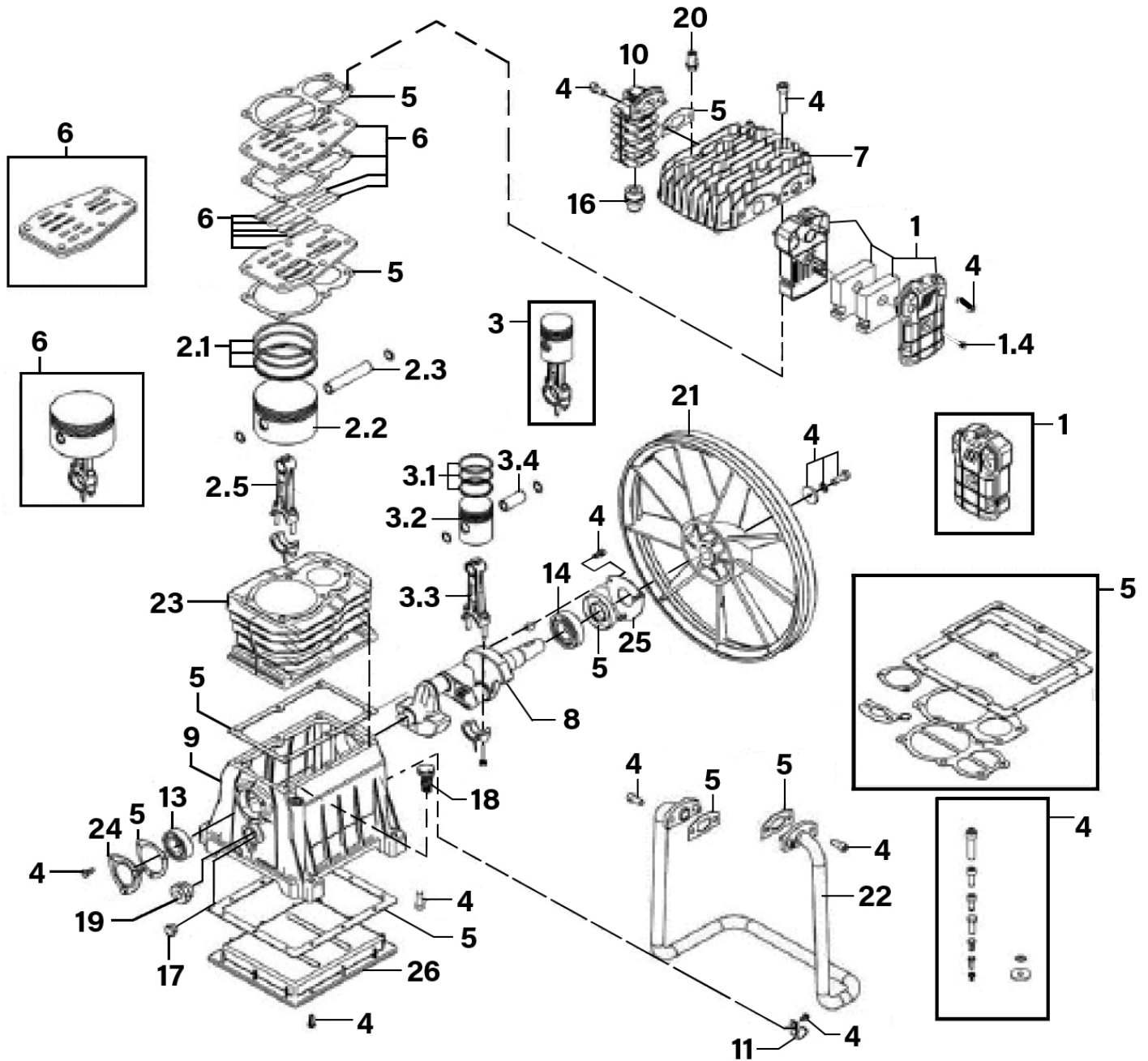
sales@sealey.co.uk



www.sealey.co.uk



Parts Information:
Air Compressor 270L Vertical Belt Drive
7.5hp 3ph 2-Stage with Cast Cylinders
Model No: SACV52775B



NOTE: It is our policy to continually improve products and as such we reserve the right to alter data, specifications and component parts without prior notice. There may be alternative versions of this product, please contact us should you require this information.

IMPORTANT: No liability is accepted for incorrect use of product. Spare parts must be fitted by a competent person

WARRANTY: Guarantee is 12 months from purchase date, proof of which will be required for any claim.

Sealey Group, Kempson Way, Suffolk Business Park, Bury St Edmunds, Suffolk. IP32 7AR



01284 757500



01284 703534



sales@sealey.co.uk



www.sealey.co.uk