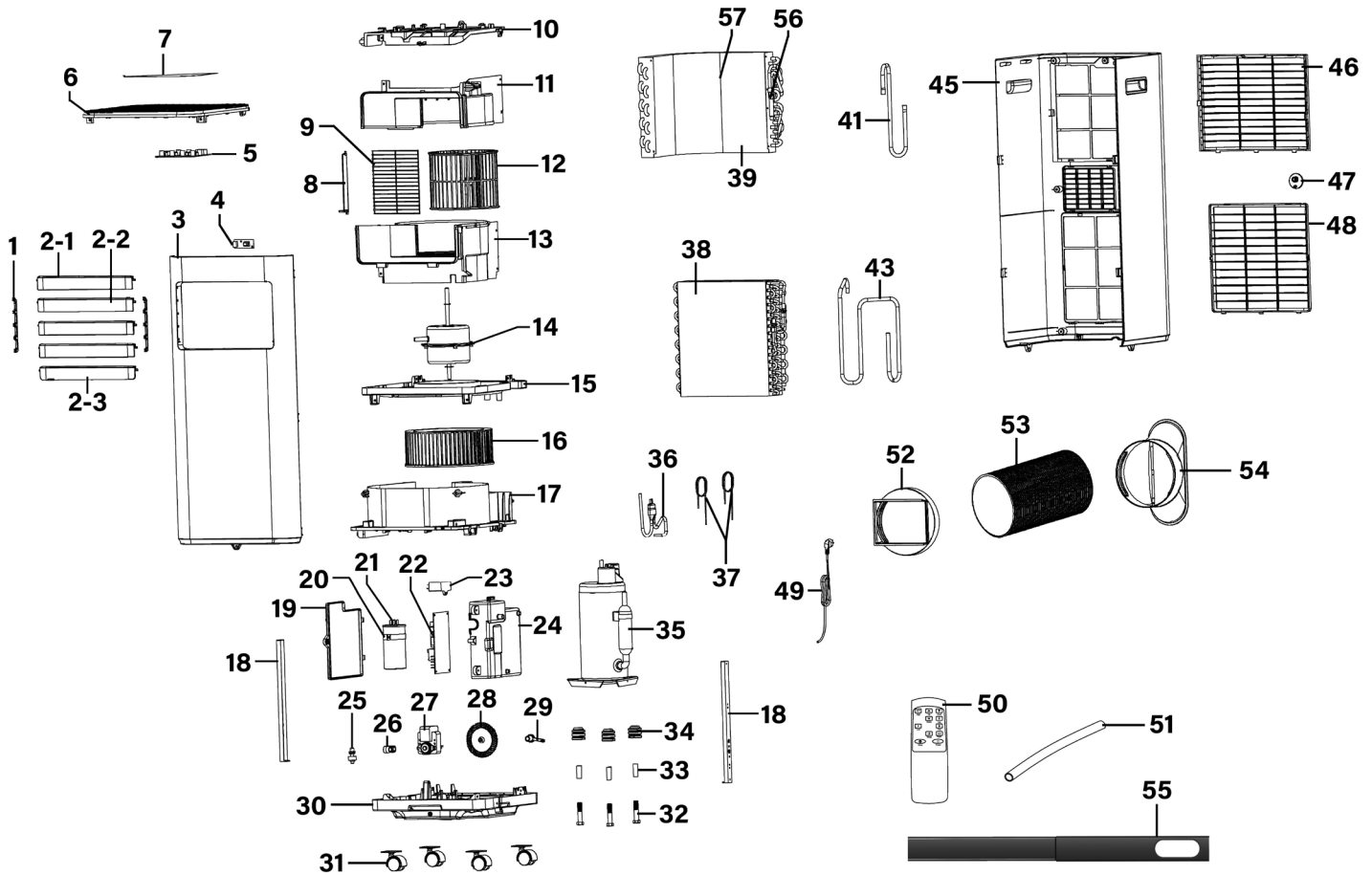




Parts Information:  
**Portable Air Conditioner/Dehumidifier**  
**9,000Btu/hr**  
**Model No: SAC9002.V2**



Item	Part No.	Description
1	SAC9002-V2-01	Vane Support
2-1	SAC9002-V2-02-1	Horizontal Vane (Upper)
2-2	SAC9002-V2-02-2	Horizontal Vane (Middle)
2-3	SAC9002-V2-02-3	Horizontal Vane (Lower)
3	SAC9002-V2-03	Front Cover
4	SAC9002-V2-04	Remote Control PCB
5	SAC9002-V2-05	Display PCB
6	SAC9002-V2-06	Top Cover
7	SAC9002-V2-07	Display Panel
8	SAC9002-V2-08	Vertical Vane
9	SAC9002-V2-09	Wire Frame
10	SAC9002-V2-10	Air Duct Cover Plate
11	SAC9002-V2-11	Inside Upper Cover
12	SAC9002-V2-12	Upper Fan Wheel
13	SAC9002-V2-13	Inside Lower Cover
14	SAC9002-V2-14	Motor
15	SAC9002-V2-15	Outer Upper Cover

Item	Part No.	Description
16	SAC9002-V2-16	Lower Fan Wheel
17	SAC9002-V2-17	Outer Lower Cover
18	SAC9002-V2-18	Support Bracket
19	SAC9002-V2-19	Electric Box Cover
20	SAC9002-V2-20	Capacitor Clip
21	SAC9002-V2-21	Capacitor (for Compressor)
22	SAC9002-V2-22	Main PCB
23	SAC9002-V2-23	Capacitor (for Motor)
24	SAC9002-V2-24	Electric Box
25	SAC9002-V2-25	Float Switch
26	SAC9002-V2-26	Line Cord Cap
27	SAC9002-V2-27	Water Pump Motor
28	SAC9002-V2-28	Water Pump Wheel
29	SAC9002-V2-29	Water Rubber Bung
30	SAC9002-V2-30	Base
31	SAC9002-V2-31	Castor Wheel
32	SAC9002-V2-32	Screw (for Compressor Foot)

**NOTE:** It is our policy to continually improve products and as such we reserve the right to alter data, specifications and component parts without prior notice. There may be alternative versions of this product, please contact us should you require this information.

**IMPORTANT:** No liability is accepted for incorrect use of product. Spare parts must be fitted by a competent person

**WARRANTY:** Guarantee is 12 months from purchase date, proof of which will be required for any claim.

Sealey Group, Kempson Way, Suffolk Business Park, Bury St Edmunds, Suffolk. IP32 7AR



01284 757500



01284 703534



sales@sealey.co.uk



www.sealey.co.uk



Parts Information:  
**Portable Air Conditioner/Dehumidifier**  
**9,000Btu/hr**  
**Model No: SAC9002.V2**

Item	Part No.	Description
33	SAC9002-V2-33	Sleeve (for Compressor Foot)
34	SAC9002-V2-34	Compressor Foot
35	SAC9002-V2-35	Compressor
36	SAC9002-V2-36	Filter Component
37	SAC9002-V2-37	Capillary Tube
38	SAC9002-V2-38	Condensor
39	SAC9002-V2-39	Evaporator
41	SAC9002-V2-41	Suction Tube
43	SAC9002-V2-43	Delivery Tube
45	SAC9002-V2-45	Back Cover
46	SAC9002-V2-46	Upper Filter Frame

Item	Part No.	Description
47	SAC9002-V2-47	Filter Frame Rubber Plug
48	SAC9002-V2-48	Lower Filter Frame
49	SAC9002-V2-49	Power Lead
50	SAC9002-V2-50	Remote Control
51	SAC9002-V2-51	Water Pipe
52	SAC9002-V2-52	Hose Inlet Cover
53	SAC9002-V2-53	Drainage Hose
54	SAC9002-V2-54	Hose Outlet Cover
55	SAC9002-V2-55	Window Sliding Bar
56	SAC9002-V2-56	Pipe Temperature Sensor
57	SAC9002-V2-57	Room Temperature Sensor

**NOTE:** It is our policy to continually improve products and as such we reserve the right to alter data, specifications and component parts without prior notice. There may be alternative versions of this product, please contact us should you require this information.

**IMPORTANT:** No liability is accepted for incorrect use of product. Spare parts must be fitted by a competent person

**WARRANTY:** Guarantee is 12 months from purchase date, proof of which will be required for any claim.

**Sealey Group**, Kempson Way, Suffolk Business Park, Bury St Edmunds, Suffolk. IP32 7AR



01284 757500



01284 703534



sales@sealey.co.uk



www.sealey.co.uk