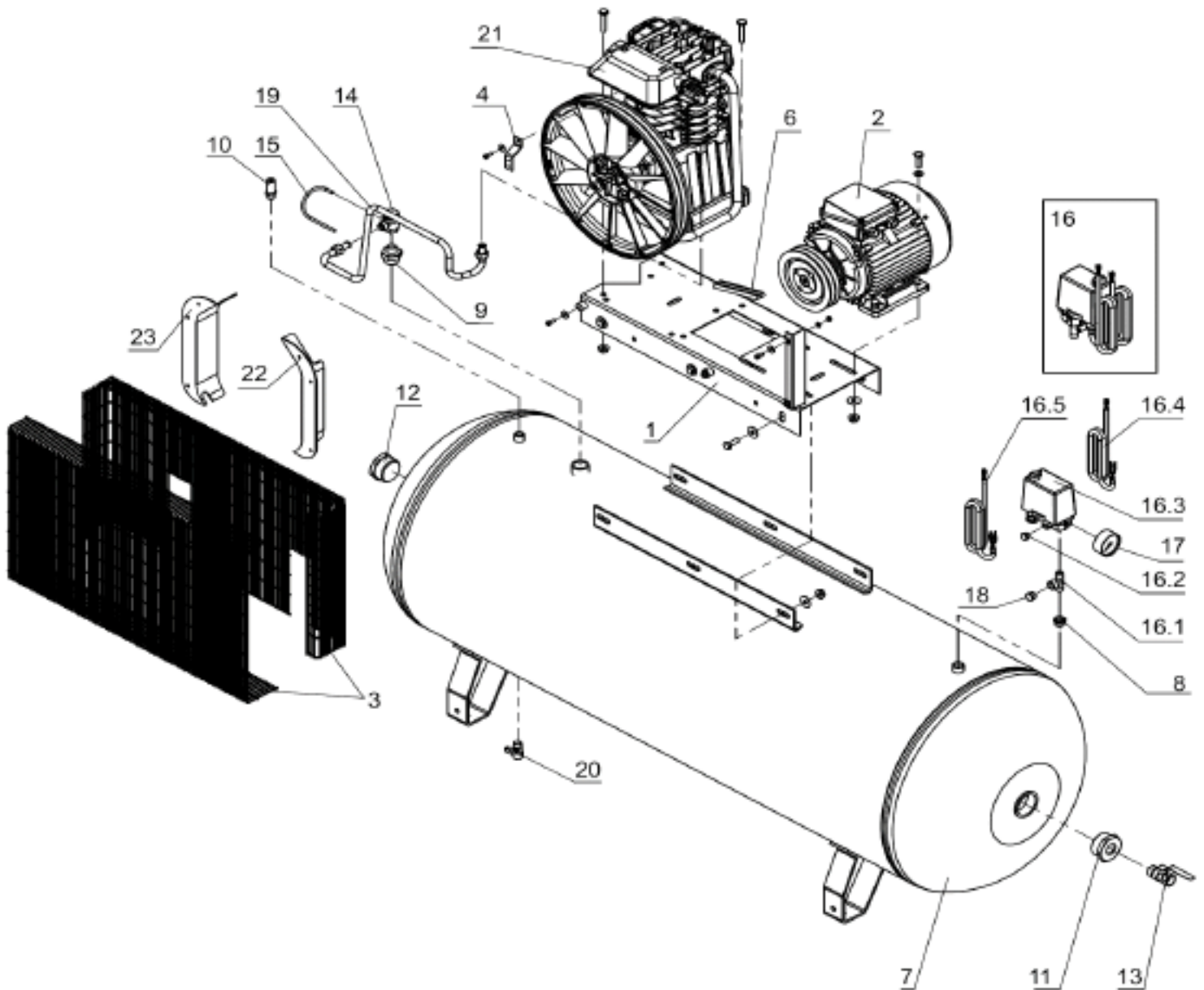




Parts Information:  
Compressor 500ltr Belt Drive 10hp 3ph  
2-Stage with Cast Cylinders  
Model No: SAC65010B



**NOTE:** It is our policy to continually improve products and as such we reserve the right to alter data, specifications and component parts without prior notice.

**IMPORTANT:** No liability is accepted for incorrect use of product.

**WARRANTY:** Guarantee is 12 months from purchase date, proof of which will be required for any claim.

Sealey Group, Kempson Way, Suffolk Business Park, Bury St Edmunds, Suffolk. IP32 7AR



01284 757500



01284 703534



sales@sealey.co.uk



www.sealey.co.uk



Parts Information:  
**Compressor 500ltr Belt Drive 10hp 3ph  
2-Stage with Cast Cylinders  
Model No: SAC65010B**

Item	Part No.	Description
1	SAC5010460008	BASE PLATE
2	SAC4151320000	MOTOR/PULLEY KIT
3	SAC4170200000	BELTGUARD KIT INC 7240320000 7361050000
4	SAC7458990000	BELT GUARD SUPPORT
6	V/A68	V-BELT (ID-1725) A68
7	SAC5159190008	TANK 500ltr
8	SAC7085020000	FITTING 1/2"-3/8" M/F
9	SAC7085030000	JOINT
10	SAC7192090000	SAFETY VALVE
11	SAC7085390000	BUNG (TAP END OF TANK FOR 3/4" TAP)
12	SAC7090050000	TANK PLUG
13	SAC7130460000	TAP 3/4 "
14	SAC7190150000	NON-RETURN VALVE
15	SAC7230010000	RISLAN HOSE (SOLD PER 1 METER)

Item	Part No.	Description
16	SAC4051970000	PRESSURE SWITCH KIT
16.1	SAC7082690000	JOINT
16.2	SAC7090070000	PLUG 1/4"
16.3	SAC7250500000	PRESSURE SWITCH 16Amp 8-10Bar
16.4	SAC7328700000	PRESSURE SWITCH CABLE (4x2.5mm)
16.5	SAC7328690000	POWER CABLE
17	SAC7110060000	GAUGE 230psi, 60mm OD, REAR FITTING
18	SAC7090080000	PLUG
19	SAC7231210000	DELIVERY PIPE
20	SAC7130160000	TAP 3/8"
21	SAC3021080000	PUMP (AB998)
22	SAC7153100000	BELT COVER, LEFT
23	SAC7153090000	BELT COVER, RIGHT
--	SAC4080450000	SCREW KIT (NOT SHOWN)

**NOTE:** It is our policy to continually improve products and as such we reserve the right to alter data, specifications and component parts without prior notice.

**IMPORTANT:** No liability is accepted for incorrect use of product.

**WARRANTY:** Guarantee is 12 months from purchase date, proof of which will be required for any claim.

**Sealey Group**, Kempson Way, Suffolk Business Park, Bury St Edmunds, Suffolk. IP32 7AR



01284 757500



01284 703534



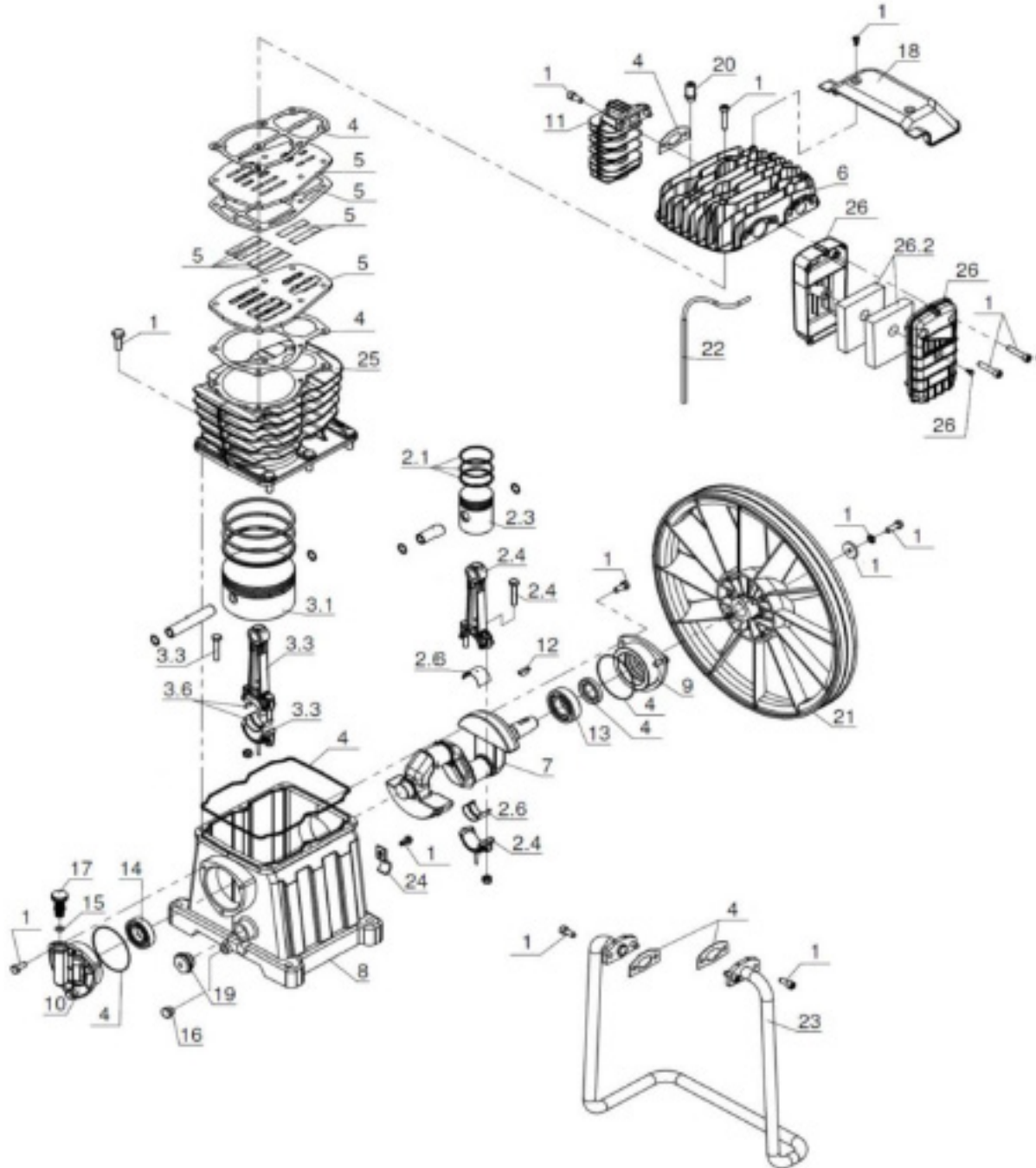
sales@sealey.co.uk



www.sealey.co.uk



Parts Information:  
Compressor 500ltr Belt Drive 10hp 3ph  
2-Stage with Cast Cylinders  
Model No: SAC65010B



**NOTE:** It is our policy to continually improve products and as such we reserve the right to alter data, specifications and component parts without prior notice.

**IMPORTANT:** No liability is accepted for incorrect use of product.

**WARRANTY:** Guarantee is 12 months from purchase date, proof of which will be required for any claim.

Sealey Group, Kempson Way, Suffolk Business Park, Bury St Edmunds, Suffolk. IP32 7AR



01284 757500



01284 703534



sales@sealey.co.uk



www.sealey.co.uk



Parts Information:  
**Compressor 500ltr Belt Drive 10hp 3ph  
2-Stage with Cast Cylinders  
Model No: SAC65010B**

Item	Part No.	Description
1	SAC4080910000	SCREW KIT
2	SAC4081870000	HP CONROD/PISTON KIT
2.1	SAC4080270000	HP PISTON RING SET
2.3	SAC7220240000	PISTON (HIGH)
2.4	SAC4190390005	CONROD
2.6	SAC7060530000	BUSHING
3	SAC4081880000	LP CONROD/PISTON KIT
3.1	SAC7220140000	PISTON (LOW)
3.2	SAC4080890000	LP PISTON RING SET
3.3	SAC4190390005	CONROD
3.6	SAC7060530000	BUSHING
4	SAC4081890000	GASKET KIT
5	SAC4231290000	VALVE PLATE ASS'Y
6	SAC5030630008	HEAD
7	SAC5041260008	CRANKSHAFT
8	SAC5070270008	CRANKCASE
9	SAC5082050008	REAR COVER
10	SAC5082090008	FRONT COVER

Item	Part No.	Description
11	SAC5130010008	AFTERCOOLER
12	SAC7051520000	KEY
13	B/6206	BEARING 6206
14	SAC7060160000	BEARING B/6006
--	B/6006	BEARING 6006 (NOT SHOWN)
15	SAC7070110000	O-RING
16	SAC7090090000	PLUG 1/4"
17	SAC9100280110	BREATHER PLUG
18	SAC7153050000	COVER
19	SAC9700000408	OIL LEVEL GAUGE
20	SAC7192350000	SAFETY VALVE
21	SAC7201240000	FLYWHEEL
22	SAC7230040000	RILSAN HOSE
23	SAC7232700000	INTERCOOLER
24	SAC7458910000	CLAMP
25	SAC7575470000	CRANKCASE
26	SAC9700002979	FILTER
26.2	SAC9103760330	FILTER ELEMENT

**NOTE:** It is our policy to continually improve products and as such we reserve the right to alter data, specifications and component parts without prior notice.

**IMPORTANT:** No liability is accepted for incorrect use of product.

**WARRANTY:** Guarantee is 12 months from purchase date, proof of which will be required for any claim.

**Sealey Group**, Kempson Way, Suffolk Business Park, Bury St Edmunds, Suffolk. IP32 7AR



01284 757500



01284 703534



sales@sealey.co.uk



www.sealey.co.uk