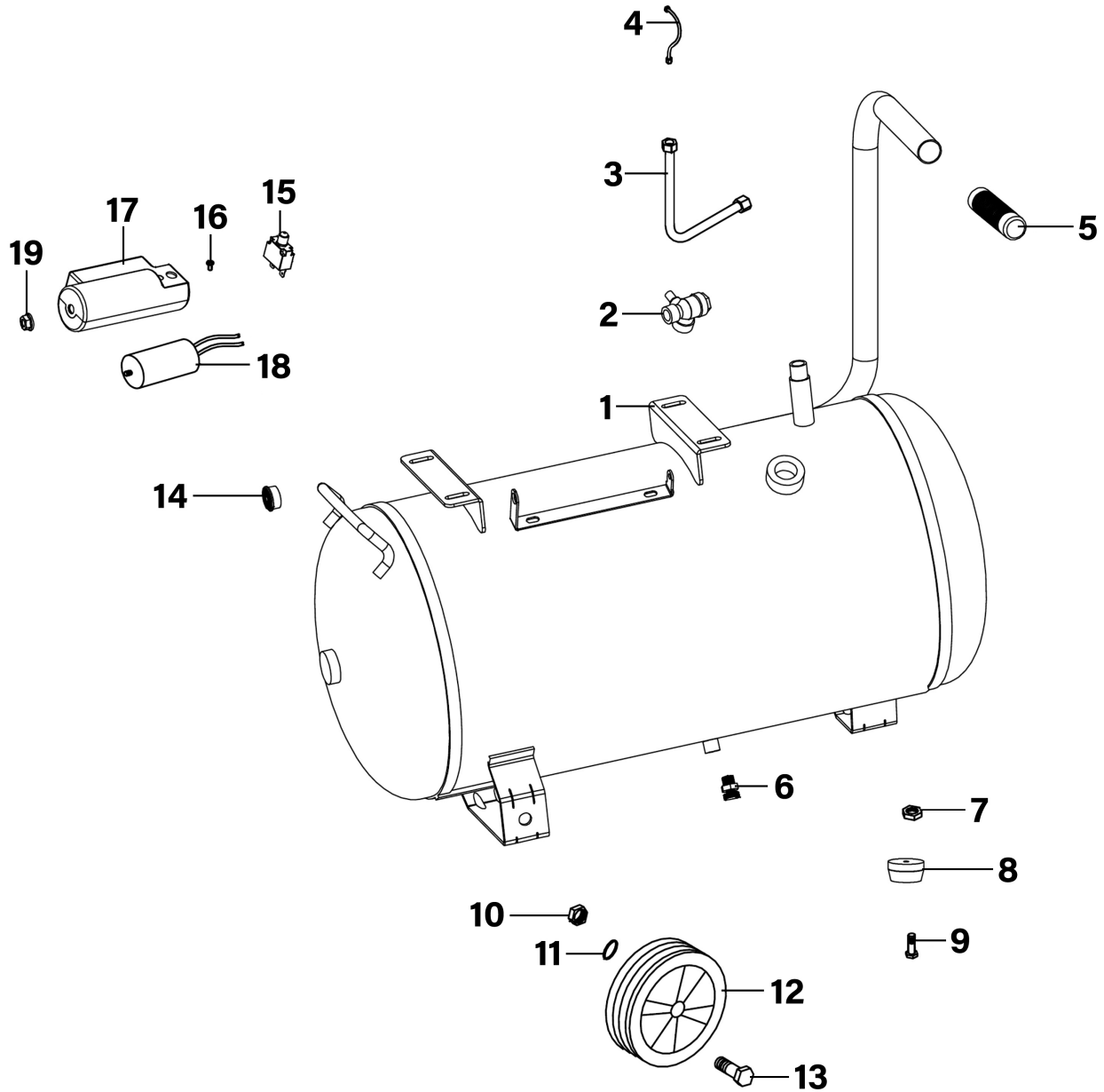




Parts Information:
Oil Free Low Noise Air Compressor 50L
Direct Drive 1hp
Model No: SAC5000S



Item	Part No.	Description	Qty
1	SAC5000S-01	Tank 50ltr	1
2	SAC5000S-02	Check Valve	1
3	SAC5000S-03	Exhaust Pipe Ø10	1
4	SAC5000S-04	Unloading Pipe Ø6	1
5	SAC5000S-05	Handle Grip	1
6	SAC5000S-06	Drain Valve	1
7	FN8.S	Flange Nut Serrated M8 Zinc	2
8	SAC5000S-08	Rubber Foot	2
9	SS825.S	Hex Head Set Screw M8 X 25 Zinc	2
10	SN10.S	Steel Nut M10 Zinc	2

Item	Part No.	Description	Qty
11	FWM10.S	Flat Washer M10 Zinc	2
12	SAC5000S-12	Fixed Wheel	2
13	SAC5000S-13	Wheel Bolt M10	2
14	SAC5000S-14	Rubber Block	1
15	SAC5000S-15	Thermal Trip Switch	1
16	SAC5000S-16	Self-Tapping Screw	1
17	SAC5000S-17	Capacitor Cover	1
18	SAC5000S-18	Capacitor	1
19	FN8.S	Flange Nut Serrated M8 Zinc	1

NOTE: It is our policy to continually improve products and as such we reserve the right to alter data, specifications and component parts without prior notice. There may be alternative versions of this product, please contact us should you require this information.

IMPORTANT: No liability is accepted for incorrect use of product. Spare parts must be fitted by a competent person

WARRANTY: Guarantee is 12 months from purchase date, proof of which will be required for any claim.

Sealey Group, Kempson Way, Suffolk Business Park, Bury St Edmunds, Suffolk. IP32 7AR



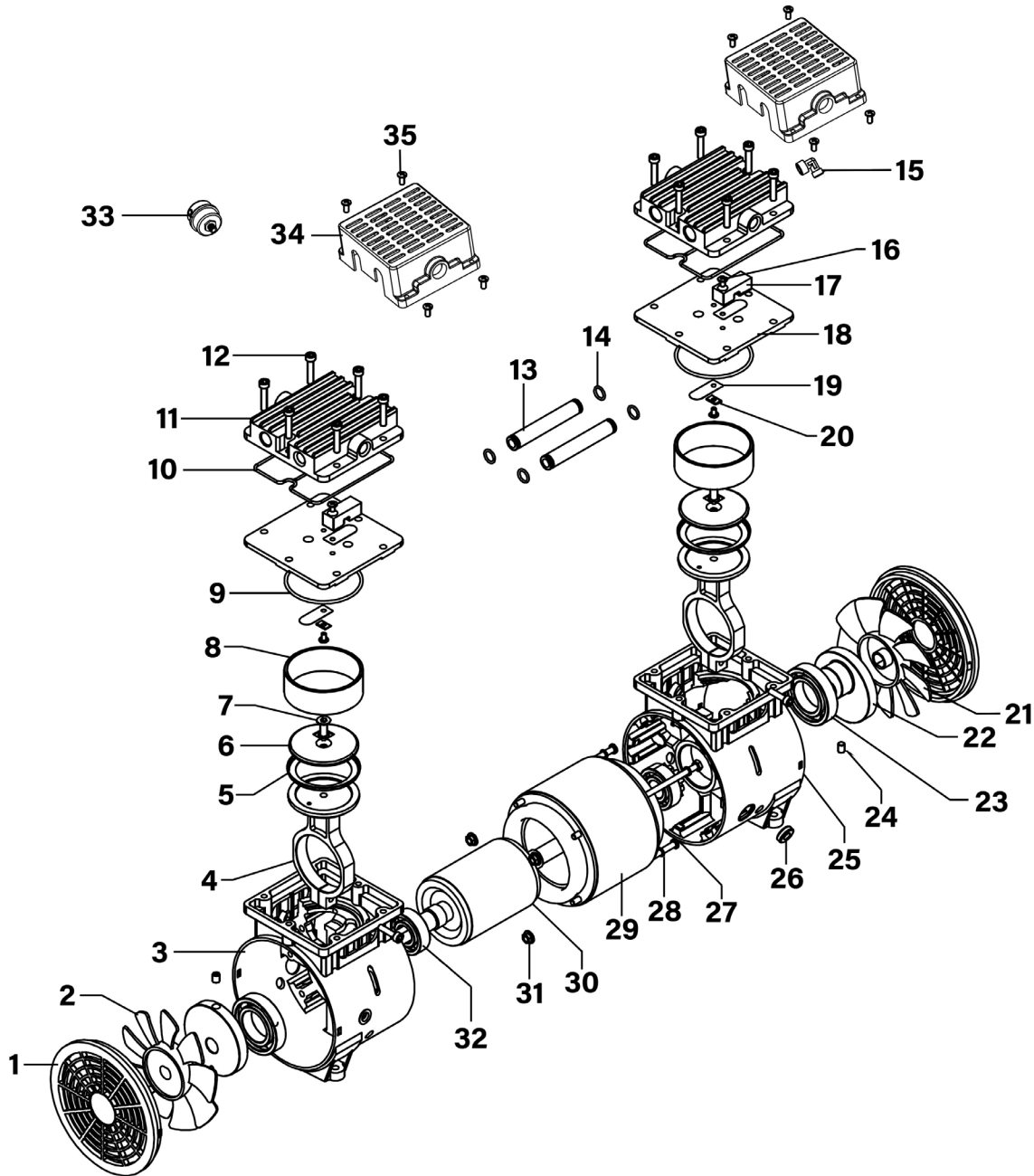
01284 757500



sales@sealey.co.uk



www.sealey.co.uk



Item	Part No.	Description	Qty
1	SAC5000S-P01	Fan Cover, Left Side	2
2	SAC5000S-P02	Fan, Left Side	1
3	SAC5000S-P03	Crankcase, Left Side	1
4	SAC5000S-P04	Connecting Rod	2
5	SAC5000S-P05	Piston Ring	2
6	SAC5000S-P06	Piston Ring Plate	2
7	MSC616.S	Csk Phillips Machine Screw M6 X 16 Zinc	2

Item	Part No.	Description	Qty
8	SAC5000S-P08	Cylinder	2
9	SAC5000S-P09	O-Ring for Cylinder	2
10	SAC5000S-P10	O-Ring for Cylinder Head	2
11	SAC5000S-P11	Cylinder Head	2
12	SCB525.S	Socket Cap Bolt M5 x 25mm	12
13	SAC5000S-P13	Piston Pin	2
14	SAC5000S-P14	Piston Pin Ring	2

NOTE: It is our policy to continually improve products and as such we reserve the right to alter data, specifications and component parts without prior notice. There may be alternative versions of this product, please contact us should you require this information.

IMPORTANT: No liability is accepted for incorrect use of product. Spare parts must be fitted by a competent person

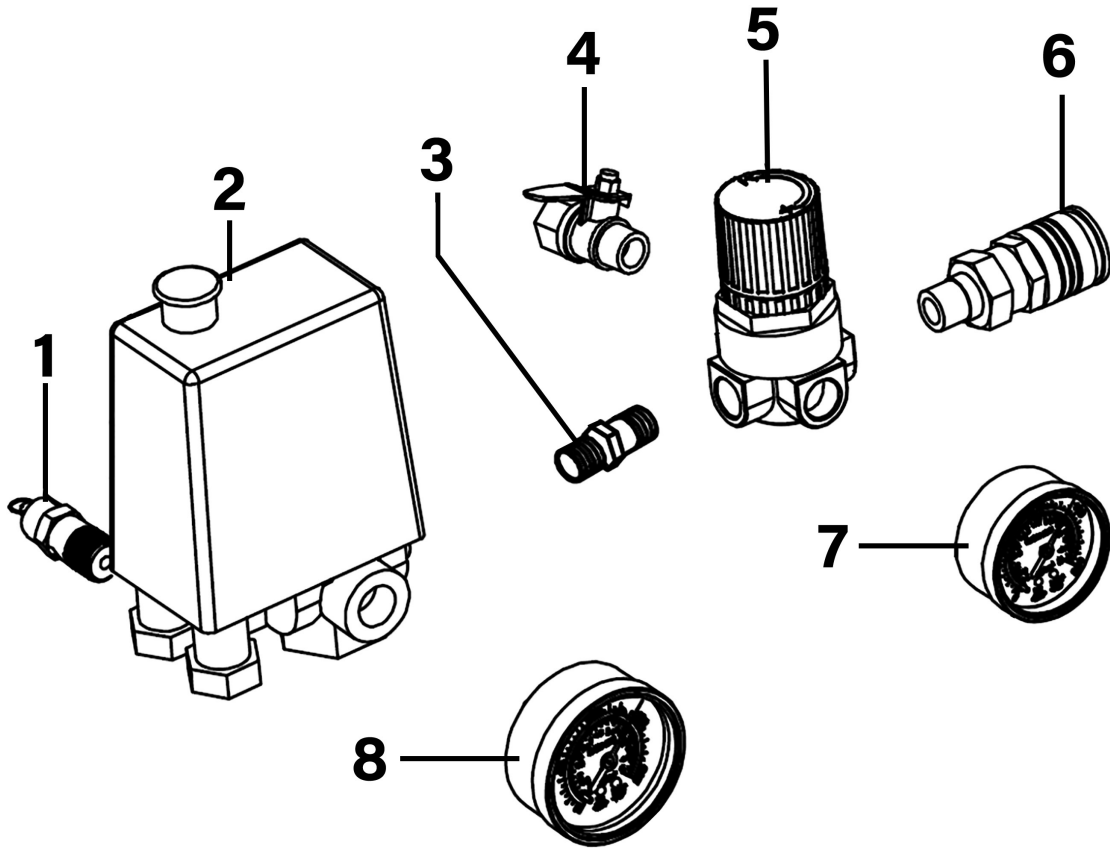
WARRANTY: Guarantee is 12 months from purchase date, proof of which will be required for any claim.



Parts Information:
Oil Free Low Noise Air Compressor 50L
Direct Drive 1hp
Model No: SAC5000S

Item	Part No.	Description	Qty
15	SAC5000S-P15	Exhaust Elbow	1
16	MSP48.S	Machine Screw Pan Head Phillips M4 X 8 mm	4
17	SAC5000S-P17	Limited Block	2
18	SAC5000S-P18	Valve Plate	2
19	SAC5000S-P19	Valve Reed	4
20	SAC5000S-P20	Plate	2
21	SAC5000S-P21	Fan, Right Side	1
22	SAC5000S-P22	Crankshaft	2
23	B/6006	Bearing 6006	2
24	GSM86.S	Grub Screw M8x6 (Single)	4
25	SAC5000S-P25	Crankcase, Right Side	1

Item	Part No.	Description	Qty
26	SAC5000S-P26	Fastening Ring	1
27	SAC5000S-P27	Machine Screw	4
28	SAC5000S-P28	Spring Washer	16
29	SAC5000S-P29	Stator	1
30	SAC5000S-P30	Rotor	1
31	SAC5000S-P31	Flange Nut	4
32	B/6203	Bearing 6203	2
33	SAC5000S-P33	Air Filter	1
34	SAC5000S-P34	Plastic Cover for Cylinder Head	2
35	SAC5000S-P35	Screw M5	8



Item	Part No.	Description	Qty
1	SAC5000S-SA01	Safety Valve	1
2	SAC5000S-SA02	Pressure Switch	1
3	SAC5000S-SA03	Union Connector	1
4	SAC5000S-SA04	Ball Valve	1

Item	Part No.	Description	Qty
5	SAC5000S-SA05	Pressure Regulator	1
6	SAC5000S-SA06	Quick Coupling	1
7	SAC5000S-SA07	Pressure Gauge d.40	1
8	SAC5000S-SA08	Pressure Gauge d.50	1

NOTE: It is our policy to continually improve products and as such we reserve the right to alter data, specifications and component parts without prior notice. There may be alternative versions of this product, please contact us should you require this information.

IMPORTANT: No liability is accepted for incorrect use of product. Spare parts must be fitted by a competent person

WARRANTY: Guarantee is 12 months from purchase date, proof of which will be required for any claim.

Sealey Group, Kempson Way, Suffolk Business Park, Bury St Edmunds, Suffolk. IP32 7AR



01284 757500



sales@sealey.co.uk



www.sealey.co.uk