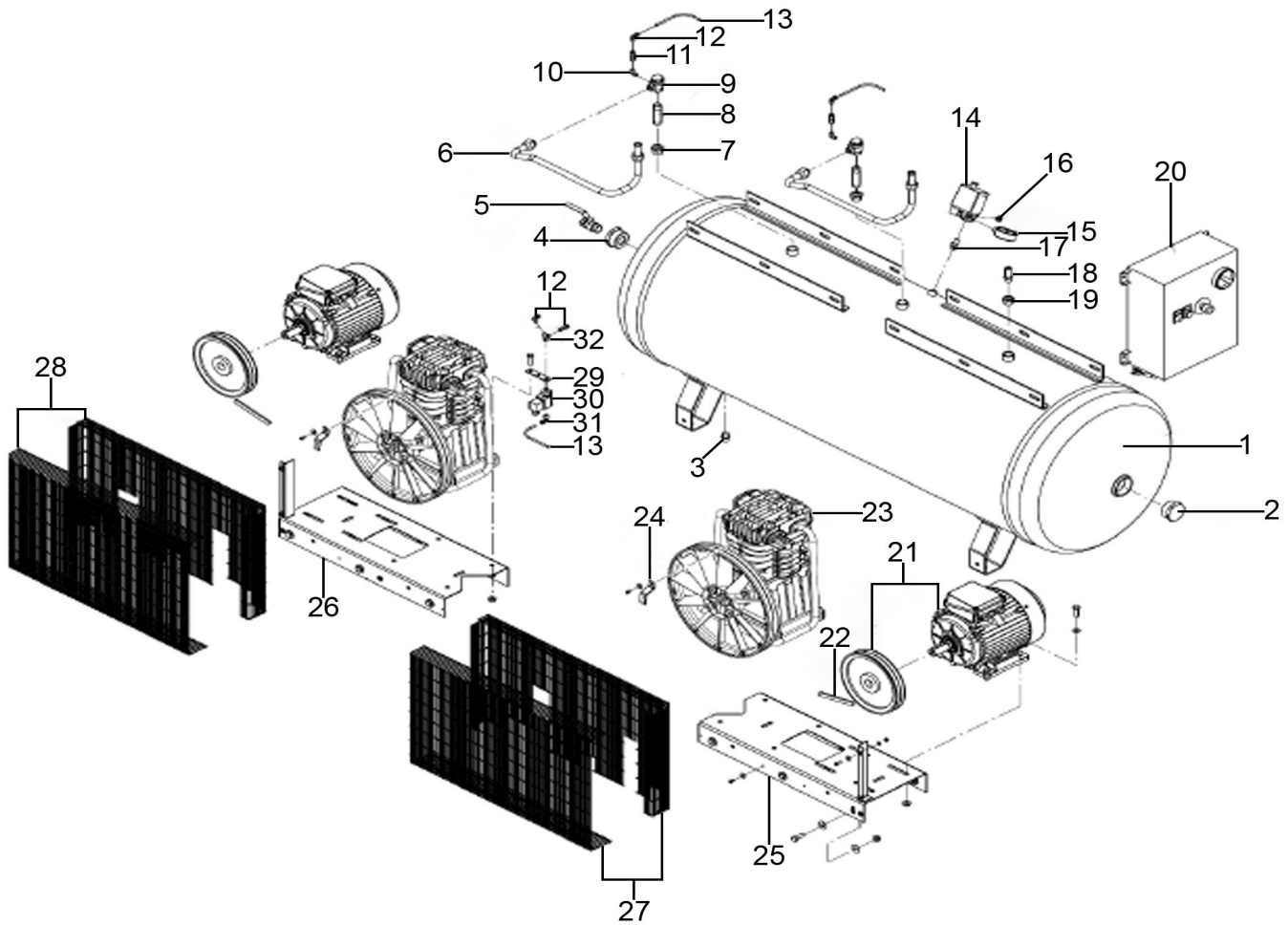


Parts Information:
Compressor 500ltr Belt Drive 2 x 5.5hp 3ph
2-Stage with Cast Cylinders
Model No: SAC4505555B



Item	Part No.	Description
1	SAC5159440008	Tank
2	SAC7090050000	Tank Plug
3	SAC7130160000	Drain Valve
4	SAC7085390000	Bung
5	SAC7130460000	Ball Valve
6	SAC7231110000	Delivery Tube
7	SAC7085070000	Adaptor
8	SAC7232070000	Union
9	SAC7190150000	Non-Return Valve
10	SAC7080070000	Plug
11	SAC7191010000	Non-Return Valve
12	SAC7080560000	Elbow
13	SAC7230010000	Rislan Hose
14	SAC7250360000	Pressure Switch
15	SAC7110250000	Gauge
16	SAC7090070000	Plug
17	SAC7082040000	Joint

Item	Part No.	Description
18	SAC7192090000	Safety Valve
19	SAC7085010000	Adaptor
20	SAC7430640000	Electric Box
21	SAC4150520000	Motor/Pulley Kit
22	V/A68	V-Belt
23	SAC3021110000	Pump
24	SAC7458990000	Belt Guard Support
25	SAC5010460008	Base Plate A
26	SAC5010450008	Base Plate B
27	SAC4170210000	Belt Guard Kit A
28	SAC4170200000	Belt Guard Kit B
29	SAC7458900000	Support Plate
30	SAC7194200000	Solenoid Valve
31	SAC7080200000	Elbow
32	SAC7082060000	Y-Connector
--	SAC1127400883	Pulley (Not Shown)
--	SAC4080460000	Fixing Kit (Not Shown)

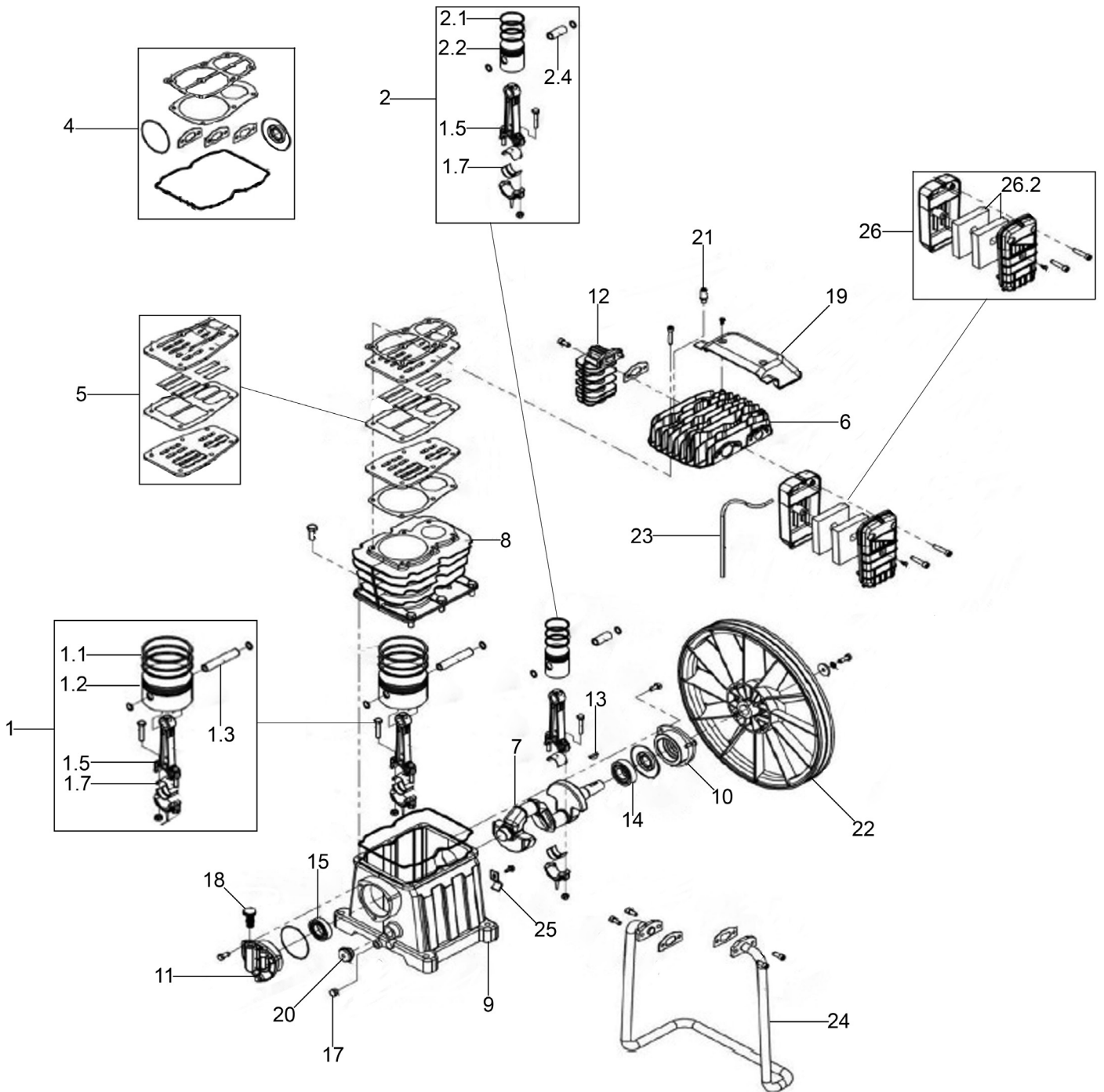
NOTE: It is our policy to continually improve products and as such we reserve the right to alter data, specifications and component parts without prior notice. There may be alternative versions of this product, please contact us should you require this information.

IMPORTANT: No liability is accepted for incorrect use of product. Spare parts must be fitted by a competent person

WARRANTY: Guarantee is 12 months from purchase date, proof of which will be required for any claim.



Parts Information:
**Compressor 500ltr Belt Drive 2 x 5.5hp 3ph
2-Stage with Cast Cylinders
Model No: SAC4505555B**



NOTE: It is our policy to continually improve products and as such we reserve the right to alter data, specifications and component parts without prior notice. There may be alternative versions of this product, please contact us should you require this information.

IMPORTANT: No liability is accepted for incorrect use of product. Spare parts must be fitted by a competent person

WARRANTY: Guarantee is 12 months from purchase date, proof of which will be required for any claim.

Sealey Group, Kempson Way, Suffolk Business Park, Bury St Edmunds, Suffolk. IP32 7AR



01284 757500



01284 703534



sales@sealey.co.uk



www.sealey.co.uk



Parts Information:
**Compressor 500ltr Belt Drive 2 x 5.5hp 3ph
2-Stage with Cast Cylinders
Model No: SAC4505555B**

Item	Part No.	Description
1	SAC4080870000	LP Con-Rod & Piston Kit
1.1	SAC4080090000	LP Piston Ring Set
1.2	SAC7220140000	LP Piston
1.3	SAC7050150000	Piston Pin
1.5	SAC4190370005	Con-Rod
1.7	SAC7062170000	Bushing
2	SAC4080880000	HP Con-Rod & Piston Kit
2.1	SAC4080080000	HP Piston Ring Set
2.2	SAC7220120000	HP Piston
2.4	SAC7050130000	Piston Pin
4	SAC4081900000	Gasket Kit
5	SAC4231240000	Valve Plate Kit
6	SAC5030620008	Head
7	SAC5041150008	Crankshaft
8	SAC5060720008	Cylinder
9	SAC5070270008	Crankcase
10	SAC5082050008	Rear Cover
11	SAC5082090008	Front Cover

Item	Part No.	Description
12	SAC5130010008	Aftercooler
13	SAC7051520000	Key
14	B/6206	Bearing
15	B/6006	Bearing
17	SAC7090090000	Plug
18	SAC1129700300	Breather Plug
19	SAC7153050000	Cover
20	SAC9700000408	Oil Level Gauge
21	SAC7192350000	Safety Valve
22	SAC7201240000	Flywheel
23	SAC7230040000	Rislan Hose
24	SAC7232700000	Intercooler
25	SAC7458910000	Clamp
26	SAC9700002979	Filter
26.2	SAC9103760330	Filter Element
--	SAC4080910000	Screw Kit (Not Shown)
--	WK025.V2-31	O-Ring (Not Shown)

NOTE: It is our policy to continually improve products and as such we reserve the right to alter data, specifications and component parts without prior notice. There may be alternative versions of this product, please contact us should you require this information.

IMPORTANT: No liability is accepted for incorrect use of product. Spare parts must be fitted by a competent person

WARRANTY: Guarantee is 12 months from purchase date, proof of which will be required for any claim.

Sealey Group, Kempson Way, Suffolk Business Park, Bury St Edmunds, Suffolk. IP32 7AR



01284 757500



01284 703534



sales@sealey.co.uk



www.sealey.co.uk