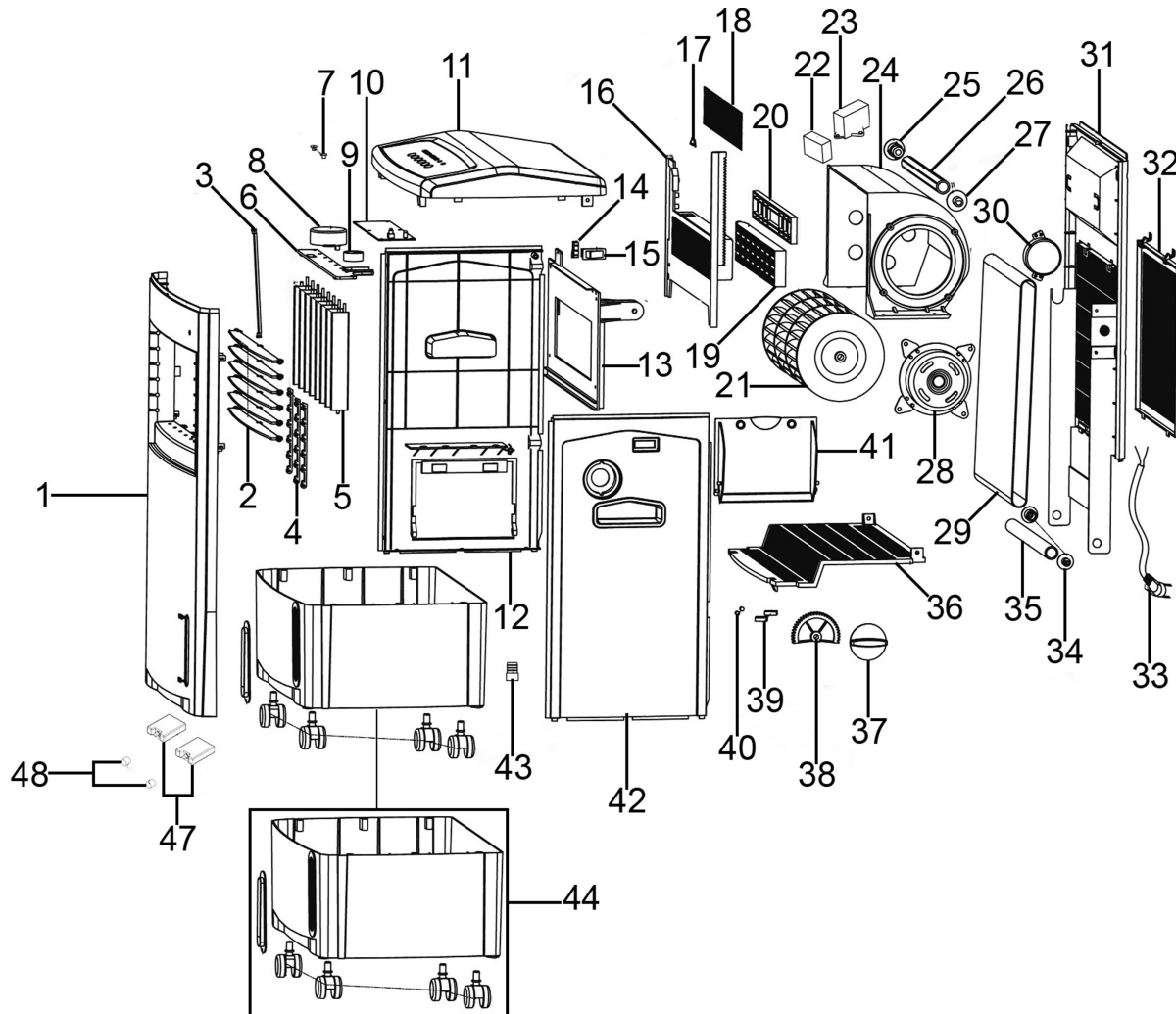




Parts Information:  
Air Cooler/Heater/Air Purifier/Humidifier  
Model No: SAC41.V2



**NOTE:** It is our policy to continually improve products and as such we reserve the right to alter data, specifications and component parts without prior notice.

There may be alternative versions of this product, please contact us should you require this information.

**IMPORTANT:** No liability is accepted for incorrect use of product. Spare parts must be fitted by a competent person

**WARRANTY:** Guarantee is 12 months from purchase date, proof of which will be required for any claim.

Sealey Group, Kempson Way, Suffolk Business Park, Bury St Edmunds, Suffolk. IP32 7AR



01284 757500



01284 703534



sales@sealey.co.uk



www.sealey.co.uk



Parts Information:  
Air Cooler/Heater/Air Purifier/Humidifier  
Model No: SAC41.V2

Item	Part No.	Description
1	SAC41.V2-01	Front Cover
2	SAC41.V2-02	Horizontal Vane
3	SAC41.V2-03	Air Outlet Connector
4	SAC41.V2-04	Connection Rod, Vane
5	SAC41.V2-05	Vertical Vane
6	SAC41.V2-06	Connection Board, Vane
7	SAC41.V2-07	Positioning Block
8	SAC41.V2-08	Motor
9	SAC41.V2-09	Cam
10	SAC41.V2-10	PCB Board (c/w Display)
11	SAC41.V2-11	Upper Cover
12	SAC41.V2-12	Cover, Left
13	SAC41.V2-13	PTC Holder
14	SAC41.V2-14	Micro Switch (c/w Cut Out Tab)
15	SAC41.V2-15	Power Switch
16	SAC41.V2-16	Bracket, PTC
17	SAC41.V2-17	Thermal Link
18	SAC41.V2-18	Metal Grille
19	SAC41.V2-19	PTC Heater
20	SAC41.V2-20	Baffle, Air Duct
21	SAC41.V2-21	Fan
22	SDH20.V3-10	Capacitor
23	SAC41.V2-23	EMC Filter
24	SAC41.V2-24	Bracket, Air Duct
25	SAC41.V2-25	Axle Sleeve, Long
26	SAC41.V2-26	Axle, Water Curtain

Item	Part No.	Description
27	SAC41.V2-27	Axle Sleeve, Short
28	SAC41.V2-28	Fan Motor
29	SAC41.V2-29	Water Curtain
30	SAC41.V2-30	Motor, Water Curtain
31	SAC41.V2-31	Back Cover
32	SAC41.V2-32	Filter
33	SAC41.V2-33	Power Cord
34	SAC41.V2-34	Axle Sleeve
35	SAC41.V2-35	Axle
36	SAC41.V2-36	Baffle
37	SAC41.V2-37	Knob
38	SAC41.V2-38	Gear
39	SAC41.V2-39	Metal Clip
40	SAC41.V2-40	Magnet
41	SAC41.V2-41	Water Door
42	SAC41.V2-42	Cover, Right
43	SAC41.V2-43	Water Plug
44	SAC41.V2-44	Water Tank
47	SAC41.V2-47	Ice Box
48	SAC41.V2-48	Cap, Ice Box
--	SAC41.V2-45	Wheel, Fixed Castor (Not Shown)
--	SAC41.V2-45A	Wheel, Swivel Castor (Not Shown)
--	SAC41.V2-49	Carbon Filter (Not Shown)
--	SAC41.V2-RC	Remote Control (Not Shown)
--	SAC41.V2-DP	Display Panel (Not Shown)

**NOTE:** It is our policy to continually improve products and as such we reserve the right to alter data, specifications and component parts without prior notice. There may be alternative versions of this product, please contact us should you require this information.

**IMPORTANT:** No liability is accepted for incorrect use of product. Spare parts must be fitted by a competent person

**WARRANTY:** Guarantee is 12 months from purchase date, proof of which will be required for any claim.

Sealey Group, Kempson Way, Suffolk Business Park, Bury St Edmunds, Suffolk. IP32 7AR



01284 757500



01284 703534



sales@sealey.co.uk



www.sealey.co.uk