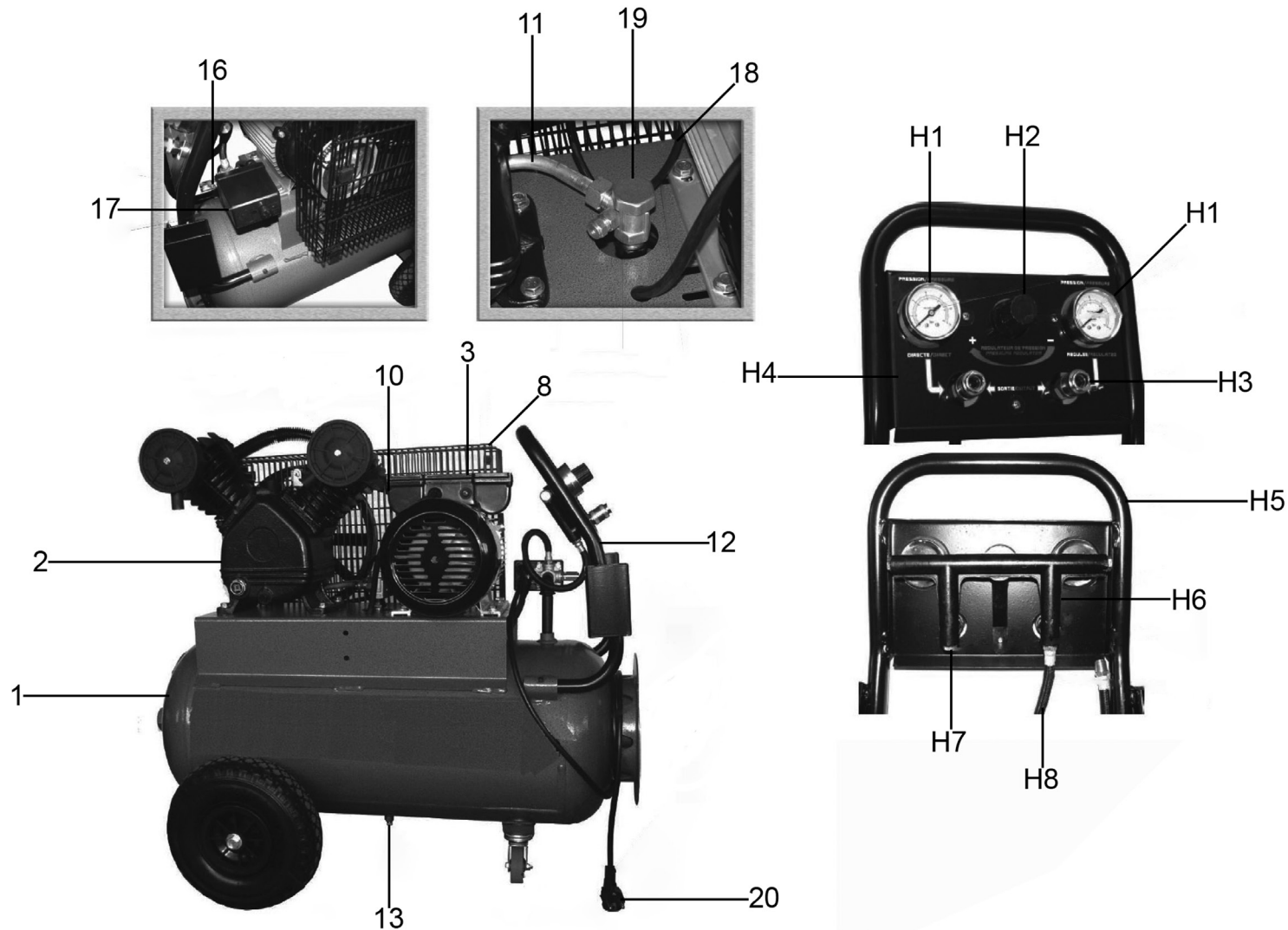




Parts Information:
Compressor 50L Belt Drive 3hp with Front Control Panel
Model No: SAC3503B



NOTE: It is our policy to continually improve products and as such we reserve the right to alter data, specifications and component parts without prior notice.

There may be alternative versions of this product, please contact us should you require this information.

IMPORTANT: No liability is accepted for incorrect use of product. Spare parts must be fitted by a competent person

WARRANTY: Guarantee is 12 months from purchase date, proof of which will be required for any claim.

Sealey Group, Kempson Way, Suffolk Business Park, Bury St Edmunds, Suffolk. IP32 7AR



01284 757500



01284 703534



sales@sealey.co.uk



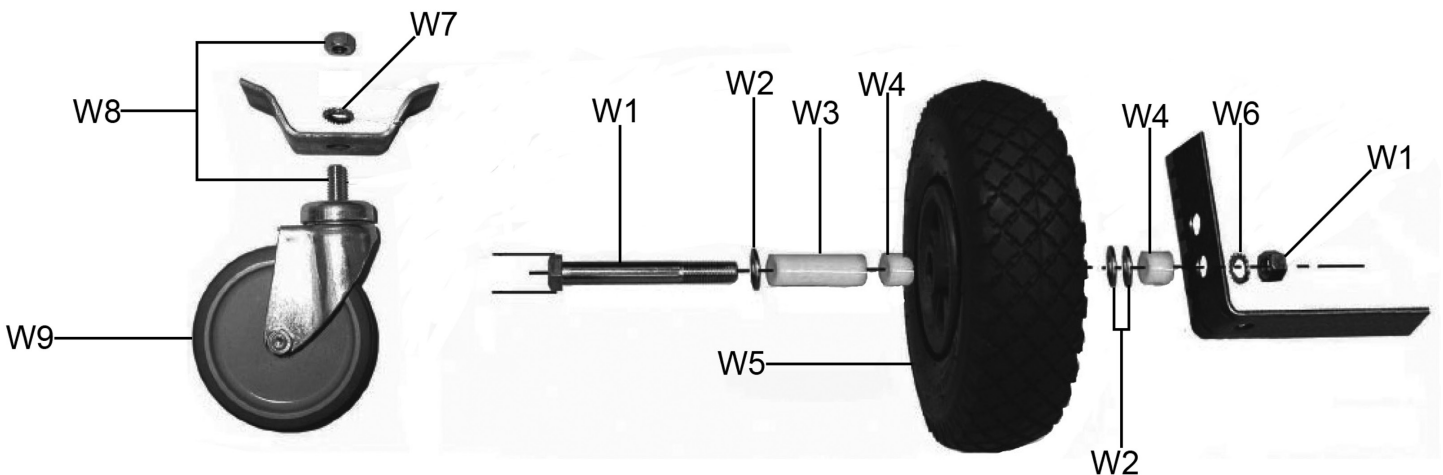
www.sealey.co.uk



Parts Information:
Compressor 50L Belt Drive 3hp with Front Control Panel
Model No: SAC3503B

Item	Part No.	Description
1	SAC3503B.01	Tank
2	SAC3103B.02	V Pump
3	SAC3203B.03	Motor
8	SAC3503B.08	Belt Guard
10	V/A45	V-Belt
11	SAC3203B.11	Aluminium Tube
12	SAC3203B.12	Handle
13	SAC32055B.12	Drain Plug
16	SAC32055B.15	Safety Valve
17	SAC3203B.17	Pressure Switch
18	SAC32775B.17	Decompression Tube
19	SAC32055B.18	Check Valve
20	MC3CX1.5	Mains Cable

Item	Part No.	Description
H1	SAC3203B.H01	Pressure Gauge
H2	SAC3203B.H02	Pressure Reducer
H3	SAC3203B.H03	Quick Coupler
H4	SAC3203B.H04	Adhesive Panel
H5	SAC3203B.H05	Carry Handle
H6	SAC3203B.H06	Manifold
H7	SAC3203B.H07	Manifold Cap
H8	SAC3203B.H08	Flexible Connecting Pipe
--	SAC3103B.04	Motor Pulley (Not Shown)
--	SAC3203B.05	Thermal Overload (Not Shown)
--	SAC3203B.06	Run Capacitor (Not Shown)
--	SAC3203B.07	Start Capacitor (Not Shown)
--	SAC32775B.06	Plastic Clip (Not Shown)



Item	Part No.	Description
W1	SAC3203B.W01	Bolt M12 x 100mm (c/w Nut)
W2	FWM12.S	Flat Washer M12
W3	SAC3203B.W03	Spacer, Long
W4	SAC3203B.W04	Spacer, Short
W5	SAC3203B.14	Wheel, Pneumatic

Item	Part No.	Description
W6	SAC3203B.W06	M12 Ext Tooth Washer
W7	SAC3203B.W07	M10 Ext Tooth Washer
W8	SAC3203B.W08	Bolt, Castor Wheel M10 (c/w Nut)
W9	SAC3103B.15	Wheel, Swivel Castor

NOTE: It is our policy to continually improve products and as such we reserve the right to alter data, specifications and component parts without prior notice. There may be alternative versions of this product, please contact us should you require this information.

IMPORTANT: No liability is accepted for incorrect use of product. Spare parts must be fitted by a competent person

WARRANTY: Guarantee is 12 months from purchase date, proof of which will be required for any claim.

Sealey Group, Kempson Way, Suffolk Business Park, Bury St Edmunds, Suffolk. IP32 7AR



01284 757500



01284 703534



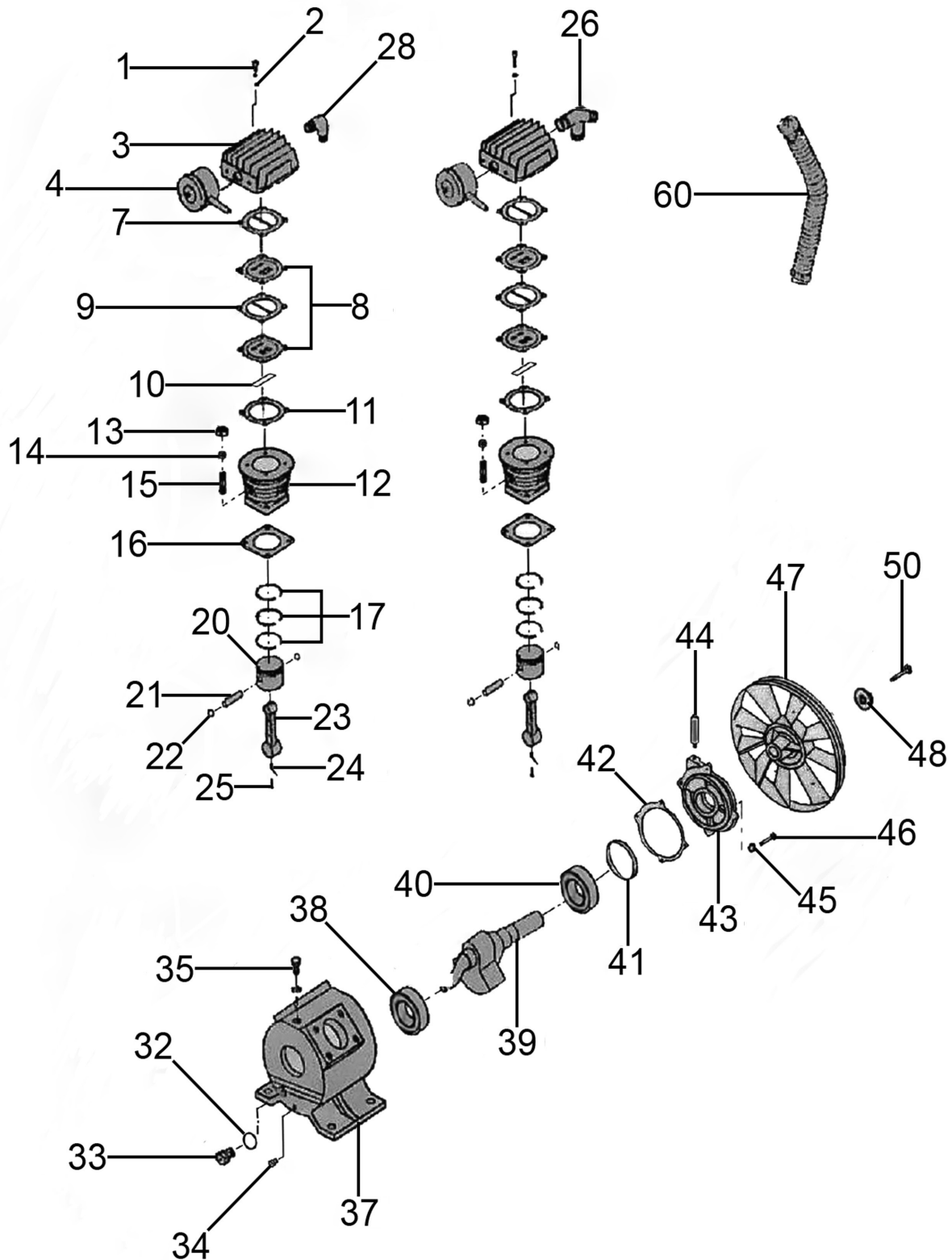
sales@sealey.co.uk



www.sealey.co.uk



Parts Information:
Compressor 50L Belt Drive 3hp with Front
Control Panel
Model No: SAC3503B



NOTE: It is our policy to continually improve products and as such we reserve the right to alter data, specifications and component parts without prior notice. There may be alternative versions of this product, please contact us should you require this information.

IMPORTANT: No liability is accepted for incorrect use of product. Spare parts must be fitted by a competent person

WARRANTY: Guarantee is 12 months from purchase date, proof of which will be required for any claim.

Sealey Group, Kempson Way, Suffolk Business Park, Bury St Edmunds, Suffolk. IP32 7AR



01284 757500



01284 703534



sales@sealey.co.uk



www.sealey.co.uk



Parts Information:
Compressor 50L Belt Drive 3hp with Front Control Panel
Model No: SAC3503B

Item	Part No.	Description
1	SAC3103BP01	Cylinder Head Bolt
2	SAC3103BP02	Washer
3	SAC3103B.P03	Cylinder Head
4	SAC3103B.P04	Air Filter
7	SAC3103B.P07	Gasket, Cylinder Head
8	SAC3103B.P08	Valve Seat Set
9	SAC3103B.P09	Gasket, Valve Seat
10	SAC3103B.P10	Valve Plate Set
11	SAC3103B.P11	Gasket, Cylinder
12	SAC3103B.P12	Cylinder
13	SAC3103B.P13	Nut
14	SAC3103B.P14	Plain Washer
15	SAC3103B.P15	Stud
16	SAC3103B.P16	Gasket, Crankcase
17	SAC3103B.P17	Piston Ring Set
20	SAC3103B.P20	Piston
21	SAC3103B.P21	Piston Pin
22	MC4500.P5	Circlip
23	SAC3103B.P23	Con-Rod
24	SAC3103B.P24	Con-Rod Pin
25	SAC3103B.P25	Bolt

Item	Part No.	Description
26	SAC3103B.P26	Connector
28	SAC3103B.P28	Elbow
32	SAC3103B.P32	Seal, Oil Level
33	SAC3103B.P33	Oil Level
34	SAC3103B.P34	Drain Plug
35	SAC3103B.P35	Oil Filler Plug
37	SAC3103B.P37	Crankcase
38	B/6204	Bearing
39	SAC3103B.P39	Crankshaft
40	B/6205	Bearing
41	SAC3103B.P41	Spi Seal
42	SAC3103B.P42	Gasket, Bearing Cover
43	SAC3103B.P43	Bearing Cover
44	SAC3103B.P44	Breather
45	SAC3103B.P45	Washer, Bearing Cover
46	SAC3103B.P46	Screw, Bearing Cover
47	SAC3103B.P47	Flywheel
48	GG7500.20	M6 Ext Tooth Washer
50	SS612.S	Hex Head Set Screw M6 x 12mm
60	SAC3103B.P60	Cooling Flange Assembly (c/w Fixings)
--	SAC3103B.P61	Valve Gasket Set (Not Shown)

NOTE: It is our policy to continually improve products and as such we reserve the right to alter data, specifications and component parts without prior notice. There may be alternative versions of this product, please contact us should you require this information.

IMPORTANT: No liability is accepted for incorrect use of product. Spare parts must be fitted by a competent person

WARRANTY: Guarantee is 12 months from purchase date, proof of which will be required for any claim.

Sealey Group, Kempson Way, Suffolk Business Park, Bury St Edmunds, Suffolk. IP32 7AR



01284 757500



01284 703534



sales@sealey.co.uk



www.sealey.co.uk