

Item	Part No.	Description	Qty
1	SAC32055B.01	Tank 200ltr	1
2	SAC32055B.02	Air Compressor Pump 3 Cylinder	1
3	SAC32055B.03	Air Compressor Electrical Motor 5.5Hp 4kw	1
4	SAC32055B.04	Motor Pulley Ø 120mm	1
5	SAC32055B.05	Belt Guard	1
6	SAC32775B.06	Plastic Clip (Belt Guard)	12
7	SAC32055B.07	Bracket (Belt Guard)	5
8	SAC32055B.08	Silencer Block	1
9	V/A58	V-belt A58	1
10	SAC32055B.10	Aluminium Tube	1

Item	Part No.	Description	Qty
12	SAC32055B.12	Drain Plug 1/4"BSP (M)	1
13	SAC32775B.13	Rubber Foot 60 x 20mm M10	4
15	SAC32055B.15	Safety Valve 11Bar 1/4"BSP (M)	1
16	SAC32055B.16	Pressure Switch 6.3 10A 4-12Bar	1
17	SAC32775B.17	Decompression Tube	1
18	SAC32055B.18	Check Valve	1
19	SAC32775B.19	Electrical Cable	1
20	SAC32055B.20	Ball Valve 1/4"BSP (F/F)	1
21	SAC32775B.21	Pressure Gauge 170psi Rear Fitting Ø 63mm	1
--	SAC32055B.22	Alloy Feed Pipe (Not Shown)	--

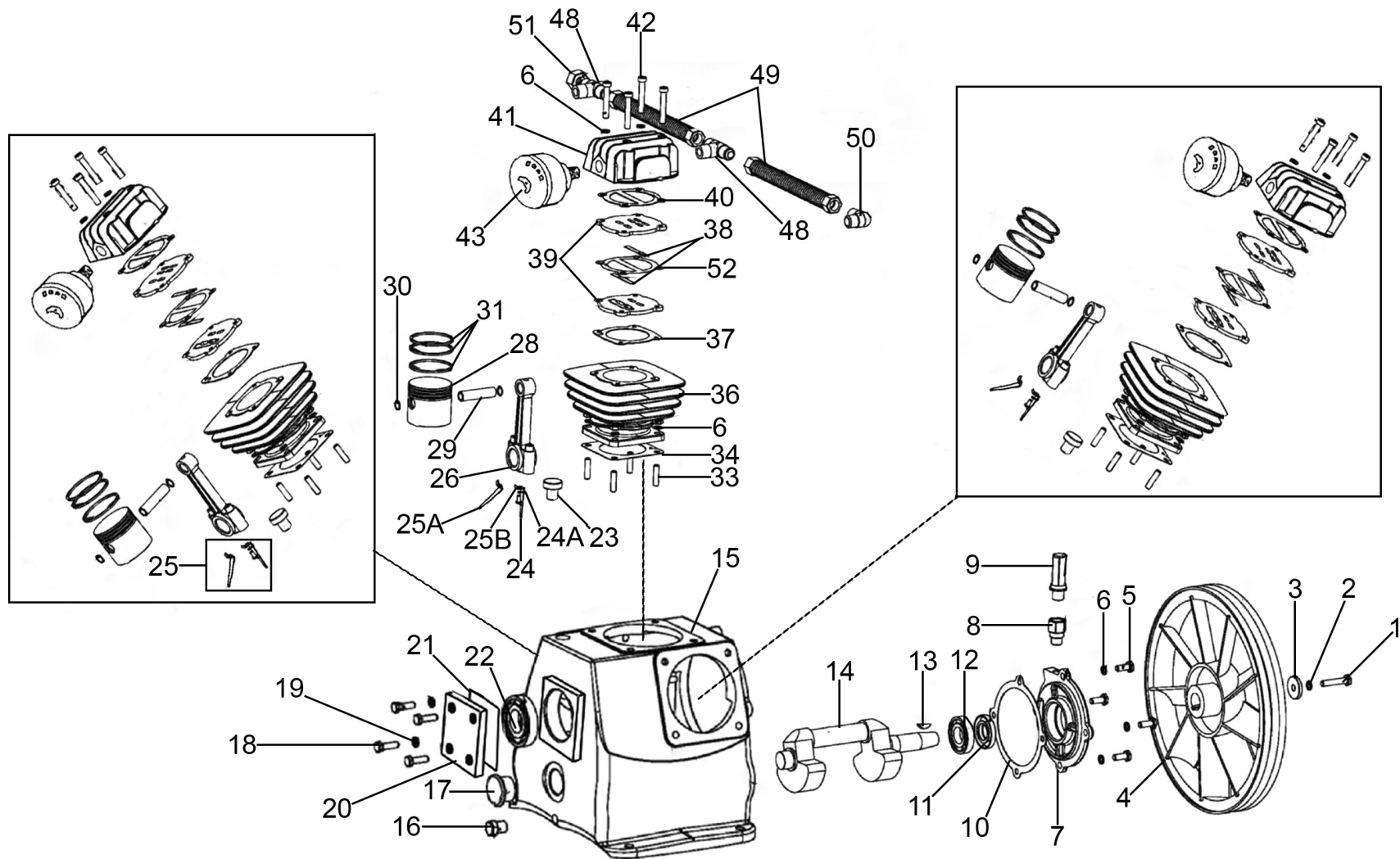
NOTE: It is our policy to continually improve products and as such we reserve the right to alter data, specifications and component parts without prior notice. There may be alternative versions of this product, please contact us should you require this information.

IMPORTANT: No liability is accepted for incorrect use of product. Spare parts must be fitted by a competent person

WARRANTY: Guarantee is 12 months from purchase date, proof of which will be required for any claim.



Parts Information:
Air Compressor 200L Belt Drive 5.5hp 3ph
Model No: SAC32055B



NOTE: It is our policy to continually improve products and as such we reserve the right to alter data, specifications and component parts without prior notice.

There may be alternative versions of this product, please contact us should you require this information.

IMPORTANT: No liability is accepted for incorrect use of product. Spare parts must be fitted by a competent person

WARRANTY: Guarantee is 12 months from purchase date, proof of which will be required for any claim.

Sealey Group, Kempson Way, Suffolk Business Park, Bury St Edmunds, Suffolk. IP32 7AR

01284 757500 | sales@sealey.co.uk | www.sealey.co.uk



Parts Information:
Air Compressor 200L Belt Drive 5.5hp 3ph
Model No: SAC32055B

Item	Part No.	Description	Qty
1	SAC32055B.P01	Pulley Bolt, Left	1
2	SAC32055B.P02	Spring Washer	1
3	SAC32055B.P03	Washer, Pulley	1
4	SAC32055B.P04	Flywheel Ø 350mm	1
5	SAC32055B.P05	Bolt, Bearing Seat	4
6	SAC32055B.P06	Spring Washer	16
7	SAC32055B.P07	Bearing Seat	1
8	SAC32055B.P08	Oil Breather Plug	1
9	SAC32055B.P09	Oil Breather Pipe M16 x 1.5mm	1
10	SAC32055B.P10	Gasket, Bearing Seat	1
11	SAC32055B.P11	Oil Seal 24 x 47 x 8mm	1
12	B/6205Z	Bearing	1
13	SAC32055B.P13	Key 5 x 19mm	1
14	SAC32055B.P14	Crankshaft	1
15	SAC32055B.P15	Crankcase	1
16	SAC32055B.P16	Oil Drain Plug 1/4"	1
17	SAC32055B.P17	Oil Level 3/4"	1
18	SAC32055B.P18	Bearing Cover Bolt	4
19	SAC32055B.P19	Spring Washer	4
20	SAC32055B.P20	Bearing Cover	1
21	SAC32055B.P21	Gasket, Bearing Cover	1
22	SAC32055B.P22	Ball Bearing	1
23	SAC32055B.P23	Oil Filler Plug M16 x 1.5mm	1
24	SAC32055B.P24	Oil Bolt	3
24A	SAC32055BP24A	Spring Washer	3

Item	Part No.	Description	Qty
25	SAC32055B.P25	Con-Rod Pin Set (c/w Parts 24, 24A, 25A & 25B)	3
25A	SAC32055BP25A	Con-Rod Pin, Side	3
25B	SAC32055BP25B	Con-Rod Pin, Middle	3
26	SAC32055B.P26	Con-Rod	3
28	SAC32055B.P28	Piston	3
29	SAC32055B.P29	Piston Pin	3
30	SAC32055B.P30	Internal Circlip Ø 15.2mm	6
31	SAC32055B.P31	Piston Ring Set	3
33	SAC32055B.P33	Cylinder Bolt M8	12
34	SAC32055B.P34	Crankcase Cylinder Gasket	3
36	SAC32055B.P36	Cylinder	3
37	SAC32775B.P50	HP Valve Seat Gasket Ø 65mm	3
38	SAC32055B.P38	Valve	6
39	SAC32055B.P39	Valve Plate	6
40	SAC32775B.P46	HP Head Gasket Ø 65mm	3
41	SAC32055B.P41	Cylinder Head	3
42	SAC32055B.P42	Bolt, Cylinder Head	12
43	SAC32055B.P43	Air Filter	1
48	SAC32055B.P48	3-Way Connector	2
49	SAC32055B.P49	Complete Cooler (c/w nut)	2
50	SAC32055B.P50	Elbow	1
51	SAC32055B.P51	Exhaust Nut	1
52	SAC32775B.P49	Aluminium Gasket	3

NOTE: It is our policy to continually improve products and as such we reserve the right to alter data, specifications and component parts without prior notice. There may be alternative versions of this product, please contact us should you require this information.

IMPORTANT: No liability is accepted for incorrect use of product. Spare parts must be fitted by a competent person

WARRANTY: Guarantee is 12 months from purchase date, proof of which will be required for any claim.

Sealey Group, Kempson Way, Suffolk Business Park, Bury St Edmunds, Suffolk. IP32 7AR



01284 757500



sales@sealey.co.uk



www.sealey.co.uk