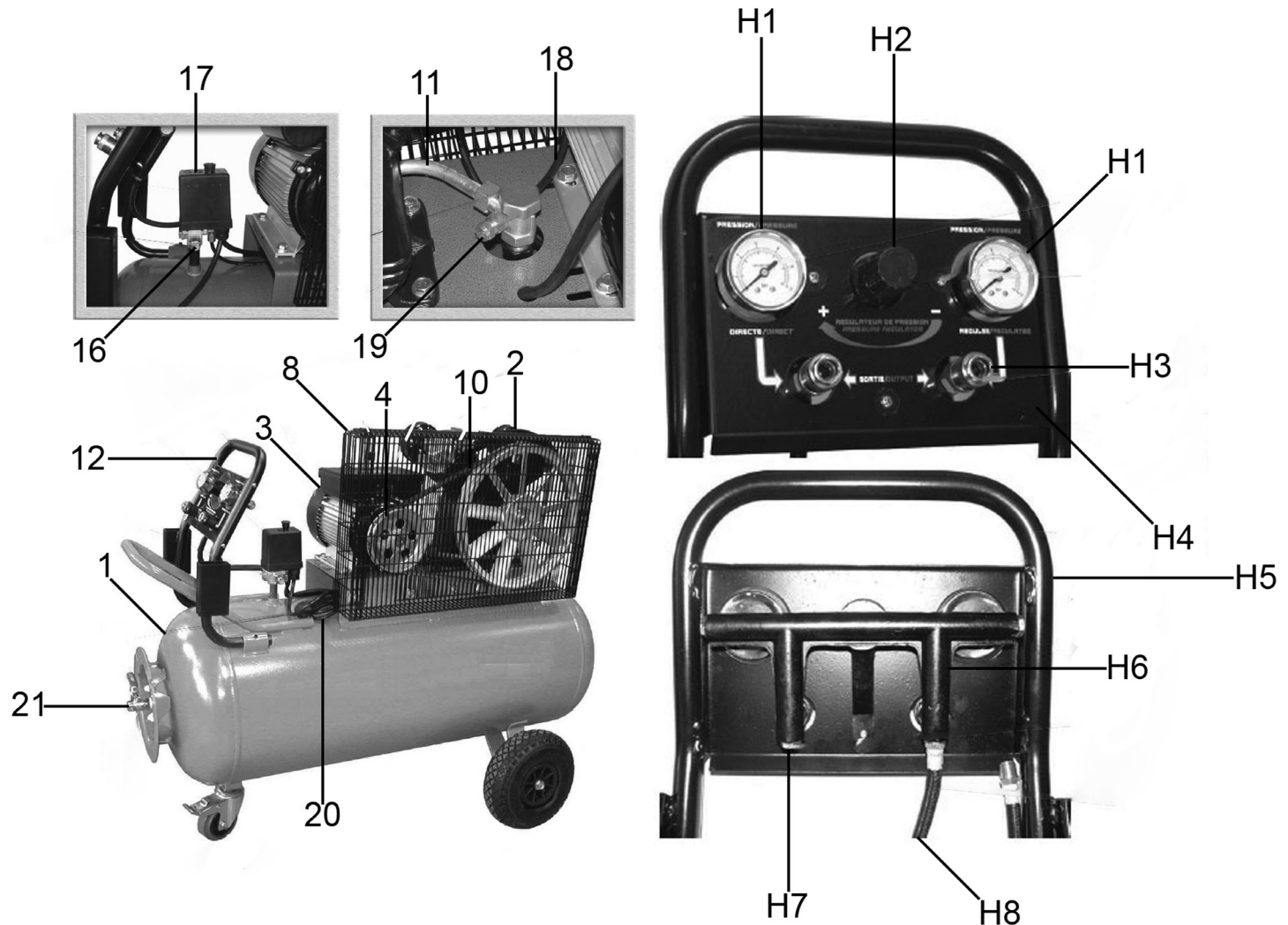




Parts Information:
Air Compressor 200L Belt Drive 3hp with Front Control Panel
Model No: SAC3203B



NOTE: It is our policy to continually improve products and as such we reserve the right to alter data, specifications and component parts without prior notice.

There may be alternative versions of this product, please contact us should you require this information.

IMPORTANT: No liability is accepted for incorrect use of product. Spare parts must be fitted by a competent person

WARRANTY: Guarantee is 12 months from purchase date, proof of which will be required for any claim.

Sealey Group, Kempson Way, Suffolk Business Park, Bury St Edmunds, Suffolk. IP32 7AR

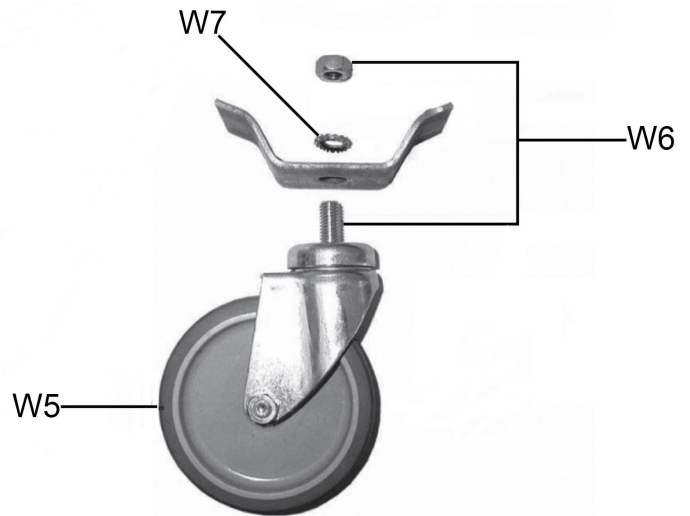
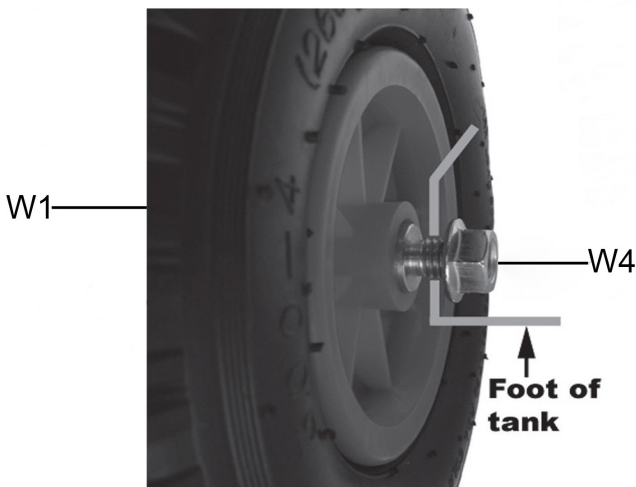
01284 757500 | 01284 703534 | sales@sealey.co.uk | www.sealey.co.uk



Parts Information:
**Air Compressor 200L Belt Drive 3hp with
 Front Control Panel**
Model No: SAC3203B

Item	Part No.	Description
1	SAC3203B.01	Tank
2	SAC3203B.02	Pump
3	SAC3203B.03	Motor
4	SAC3203B.04	Motor Pulley
8	SAC3203B.08	Belt Guard
10	V/A52	V-Belt
11	SAC3203B.11	Aluminium Tube
12	SAC3203B.12	Handle
16	SAC32055B.15	Safety Valve
17	SAC3203B.17	Pressure Switch
18	SAC32775B.17	Decompression Tube
19	SAC32055B.18	Check Valve
20	MC3CX1.5	Mains Cable
21	SAC32055B.20	Ball Valve
H1	SAC3203B.H01	Pressure Gauge
H2	SAC3203B.H02	Pressure Reducer
H3	SAC3203B.H03	Quick Coupler

Item	Part No.	Description
H4	SAC3203B.H04	Adhesive Panel
H5	SAC3203B.H05	Carry Handle
H6	SAC3203B.H06	Manifold
H7	SAC3203B.H07	Manifold Cap
H8	SAC3203B.H08	Flexible Connecting Pipe
--	SAC3203B.03A	Cover, Motor Fan (Not Shown)
--	SAC3203B.03B	Terminal Box (Not Shown)
--	SAC3203B.03C	Cover, Terminal Box (Not Shown)
--	SAC3203B.03D	Capacitor (Not Shown)
--	SAC3203B.03E	Capacitor (Not Shown)
--	SAC3203B.03F	Overload Protection (Not Shown)
--	SAC3203B.05	Thermal Overload (Not Shown)
--	SAC3203B.06	Run Capacitor (Not Shown)
--	SAC3203B.07	Start Capacitor (Not Shown)
--	SAC32775B.06	Plastic Clip (Not Shown)
--	SAC32055B.12	Drain Plug (Not Shown)



Item	Part No.	Description
W1	SAC3203B.14	Wheel, Pneumatic
W4	SAC3203B.W01	Bolt M12 x 100mm (c/w Nut)
W5	SAC3203B.15	Wheel, Swivel Castor
W6	SAC3203B.W08	Bolt, Castor Wheel M10 (c/w Nut)
W7	SAC3203B.W07	M10 Ext Tooth Washer

Item	Part No.	Description
--	FWM12.S	Flat Washer M12 (Not Shown)
--	SAC3203B.W03	Spacer, Long (Not Shown)
--	SAC3203B.W04	Spacer, Short (Not Shown)
--	SAC3203B.W06	M12 Ext Tooth Washer (Not Shown)

NOTE: It is our policy to continually improve products and as such we reserve the right to alter data, specifications and component parts without prior notice. There may be alternative versions of this product, please contact us should you require this information.

IMPORTANT: No liability is accepted for incorrect use of product. Spare parts must be fitted by a competent person

WARRANTY: Guarantee is 12 months from purchase date, proof of which will be required for any claim.

Sealey Group, Kempson Way, Suffolk Business Park, Bury St Edmunds, Suffolk. IP32 7AR



01284 757500



01284 703534



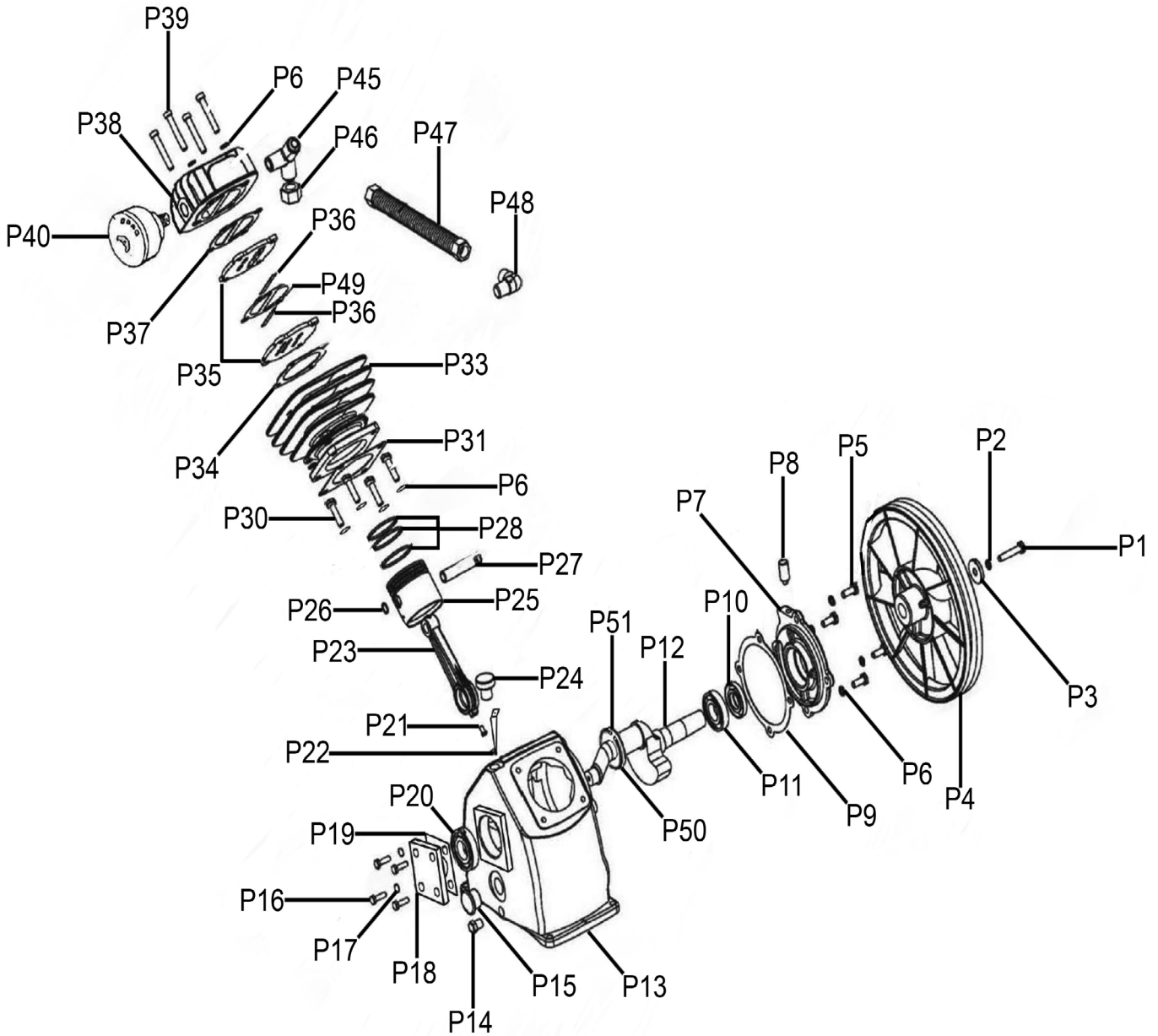
sales@sealey.co.uk



www.sealey.co.uk



Parts Information:
**Air Compressor 200L Belt Drive 3hp with
Front Control Panel
Model No: SAC3203B**



NOTE: It is our policy to continually improve products and as such we reserve the right to alter data, specifications and component parts without prior notice. There may be alternative versions of this product, please contact us should you require this information.

IMPORTANT: No liability is accepted for incorrect use of product. Spare parts must be fitted by a competent person

WARRANTY: Guarantee is 12 months from purchase date, proof of which will be required for any claim.

Sealey Group, Kempson Way, Suffolk Business Park, Bury St Edmunds, Suffolk. IP32 7AR



01284 757500



01284 703534



sales@sealey.co.uk



www.sealey.co.uk



Parts Information:
**Air Compressor 200L Belt Drive 3hp with
 Front Control Panel**
Model No: SAC3203B

Item	Part No.	Description
P1	SAC32055B.P01	Pulley Bolt, Left
P2	SAC32055B.P02	Spring Washer
P3	SAC32055B.P03	Washer, Pulley
P4	SAC3203B.P04	Flywheel
P5	SAC32055B.P05	Bolt, Bearing Seat
P6	SAC32055B.P06	Spring Washer
P7	SAC3203B.P07	Bearing Seat
P8	SAC32775B.P57	Breather
P9	SAC3203B.P09	Gasket, Bearing Seat
P10	SAC32055B.P11	Oil Seal
P11	B/6205Z	Bearing
P12	SAC3203B.P12	Crankshaft
P13	SAC3203B.P13	Crankcase
P14	SAC32055B.P16	Oil Drain Plug
P15	SAC32055B.P17	Oil Level
P16	SAC32055B.P18	Bolt, Bearing Cover
P17	SAC32055B.P19	Spring Washer
P18	SAC32055B.P20	Bearing Cover
P19	SAC32055B.P21	Gasket, Bearing Cover
P20	B/6304	Bearing
P21	SCB34.SB	Socket Cap Bolt M3 x 4mm Black
P22	SAC3203B.P22	Connecting Rod Pin
P23	SAC3203B.P23	Con-Rod

Item	Part No.	Description
P24	SAC32055B.P23	Oil Filler Plug
P25	SAC32055B.P28	Piston
P26	SAC32055B.P30	Circlip
P27	SAC32055B.P29	Piston Pin
P28	SAC32055B.P31	Piston Ring Set
P30	SAC32055B.P33	Cylinder Bolt M8
P31	SAC32055B.P34	Gasket, Crankcase Cylinder
P33	SAC32055B.P36	Cylinder
P34	SAC32775B.P50	Gasket, HP Valve Set
P35	SAC3203B.P35	Valve Seat
P36	SAC32055B.P39	Valve Plate
P37	SAC32775B.P46	HP Head Gasket
P38	SAC32055B.P41	Cylinder Head
P39	SAC32055B.P42	Bolt, Cylinder Head
P40	SAC32055B.P43	Air Filter
P45	SAC3203B.P45	Connector
P46	SAC32055B.P51	Exhaust Nut
P47	SAC3203B.P47	Cooler Complete
P48	SAC32055B.P50	Elbow
P49	SAC32775B.P49	HP Aluminium Seat
P50	SAC3203B.P50	Circlip
P51	SAC3203B.P51	Flat Washer
--	SAC3203B.P08A	Breather Base (Not Shown)

NOTE: It is our policy to continually improve products and as such we reserve the right to alter data, specifications and component parts without prior notice. There may be alternative versions of this product, please contact us should you require this information.

IMPORTANT: No liability is accepted for incorrect use of product. Spare parts must be fitted by a competent person

WARRANTY: Guarantee is 12 months from purchase date, proof of which will be required for any claim.

Sealey Group, Kempson Way, Suffolk Business Park, Bury St Edmunds, Suffolk. IP32 7AR



01284 757500



01284 703534



sales@sealey.co.uk



www.sealey.co.uk