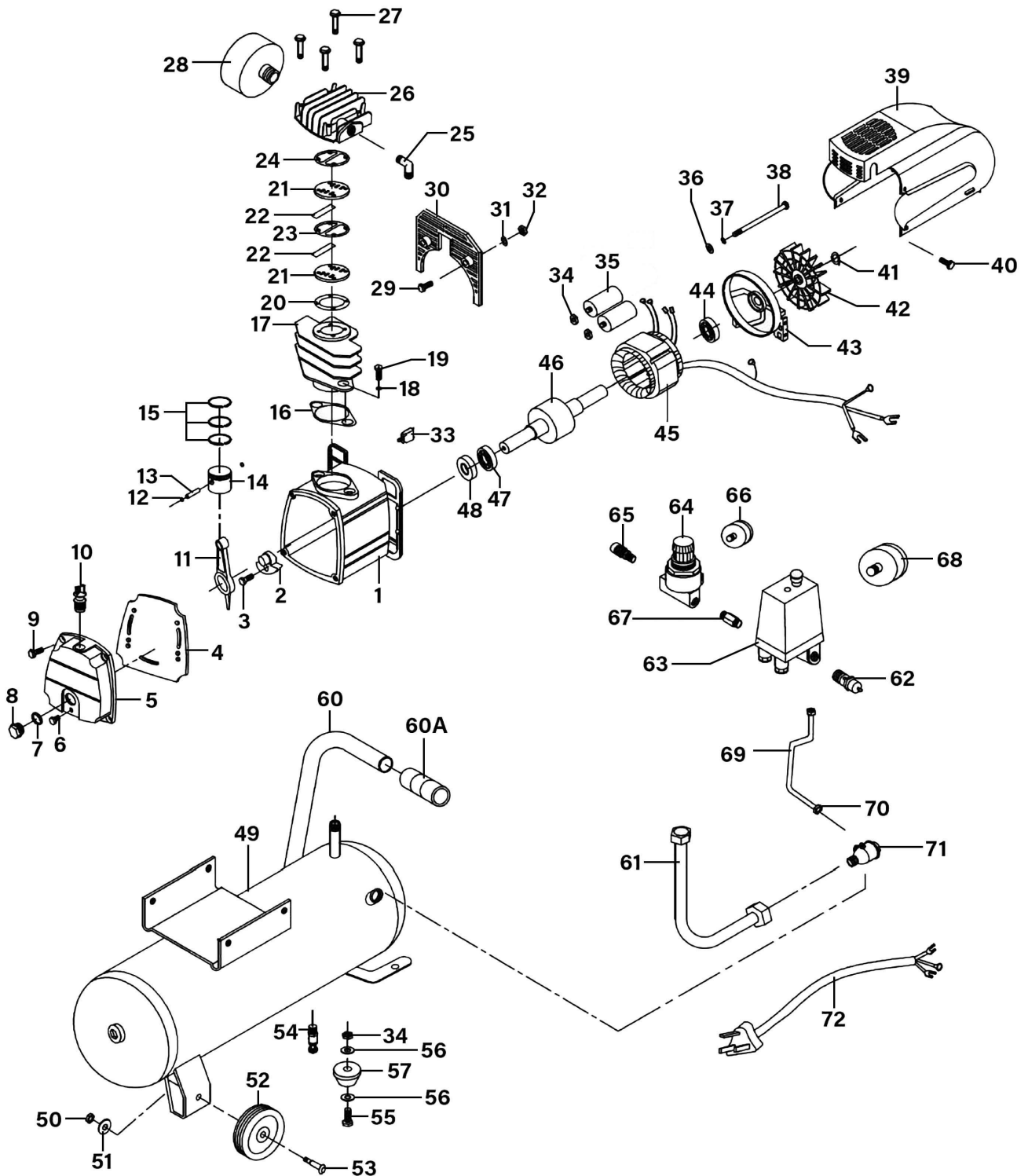




Parts Information:  
Air Compressor 24L & 50L Direct Drive  
2hp 110V  
Model No: SAC2420E110V &  
SAC5020E110V



**NOTE:** It is our policy to continually improve products and as such we reserve the right to alter data, specifications and component parts without prior notice. There may be alternative versions of this product, please contact us should you require this information.

**IMPORTANT:** No liability is accepted for incorrect use of product. Spare parts must be fitted by a competent person

**WARRANTY:** Guarantee is 12 months from purchase date, proof of which will be required for any claim.

Sealey Group, Kempson Way, Suffolk Business Park, Bury St Edmunds, Suffolk. IP32 7AR



01284 757500



sales@sealey.co.uk



www.sealey.co.uk



Parts Information:  
**Air Compressor 24L & 50L Direct Drive  
 2hp 110V  
 Model No: SAC2420E110V &  
 SAC5020E110V**

| Item | Part No.        | Description                                      | Qty |
|------|-----------------|--|-----|
| 1    | SAC2420EV2.01   | Crankcase  | 1   |
| 2    | SAC2420EV2.02   | Crankshaft                                       | 1   |
| 3    | SAC2420EV2.03   | Left Hand Thread Socket Cap Bolt M8 X 22mm Black | 1   |
| 4    | SAC2420EV2.04   | Gasket Seal                                      | 1   |
| 5    | SAC2420EV2.05   | Crankcase Cover                                  | 1   |
| 6    | SFS610.S        | Hex Head Flange Bolt M6 X 10 Zinc                | 1   |
| 7    | SAC2420EV2.07   | O-Ring   | 1   |
| 8    | SAC5030VE2.10   | Oil Sight Glass                                  | 1   |
| 9    | SFS618.S        | Hex Head Flange Bolt M6 X 18                     | 4   |
| 10   | SAC2420EV2.10   | Breather, Push Fit                               | 1   |
| 11   | SAC2420EV2.11   | Connecting Rod                                   | 1   |
| 12   | SAC2420EV2.12   | Retaining Clip                                   | 2   |
| 13   | SAC2420EV2.13   | Piston Pin                                       | 1   |
| 14   | SAC2420EV2.14   | Piston   | 1   |
| 15   | SAC2420EV2.15   | Piston Rings (set of 3)                          | 1   |
| 16   | SAC2420EV2.16   | Cylinder Gasket                                  | 1   |
| 17   | SAC2420EV2.17   | Cylinder   | 1   |
| 18   | SWM8.S          | Spring Washer M8 Zinc                            | 2   |
| 19   | SAC9100010050   | Stud Bolt M8 Double Ended                        | 2   |
| 20   | SAC0610EV2.17   | Valve Gasket                                     | 1   |
| 21   | SAC5030VE2.25   | Valve Plate (Pair) Diameter 73.75mm              | 2   |
| 22   | SAC5030VE2.26   | Reed Valve, 47 X 10mm                            | 2   |
| 23   | SAC5030VE2.27   | Valve Plate Gasket                               | 1   |
| 24   | SAC2420EV2.24   | Cylinder Head Gasket                             | 1   |
| 25   | SAC2420EV2.25   | Elbow Exhaust 3/8"bsp Male x 3/8"bsp Male        | 1   |
| 26   | SAC2420EV2.26   | Cylinder Head                                    | 1   |
| 27   | SAC2420EV2.27   | Bolt   | 4   |
| 28   | SAC2420EV2.28   | Air Filter                                       | 1   |
| 29   | SFS614.S        | Hex Head Flange Bolt M6 X 14 Zinc                | 2   |
| 30   | SAC2420EV2.30   | Baffle   | 1   |
| 31   | SAC2420EV2.31   | Washer   | 2   |
| 32   | NLN5.S          | Nyloc Nut M5 Zinc                                | 2   |
| 33   | SAC5020E-V4-33A | Thermal Cut-Out (14A) <b>'for 110V model'</b>    | 1   |
| 34   | SN8.S           | Steel Nut M8 Zinc                                | 2   |
| 35   | SAC5020E-V4-35A | Capacitor (Pair) <b>'for 110V model'</b>         | 1   |
| 36   | SAC2420EV2.36   | Washer   | 4   |
| 37   | SAC2420EV2.37   | Spring washer                                    | 4   |
| 38   | SAC2420EV2.38   | Bolt   | 4   |
| 39   | SAC5020EV2.39   | Cover, pump                                      | 1   |
| 40   | MSP516.S        | Machine Screw Pan Head Phillips M5 x 16mm        | 6   |

| Item | Part No.           | Description  | Qty |
|------|--------------------|--|-----|
| 41   | RE231.V3-15        | External Circlip 12.7mm ID.  | 1   |
| 42   | SAC2420EV2.42      | Fan  | 1   |
| 43   | SAC2420EV2.43      | Rear bearing case  | 1   |
| 44   | B/6202-2RS         | Bearing 6202-2rs   | 1   |
| 45   | SAC5020EV245A      | Stator (110v) <b>'for 110v model'</b>                                    | 1   |
| 46   | SAC5020EV246A      | Rotor (110v) <b>'for 110v model'</b>                                     | 1   |
| 47   | B/6204-2RS         | Bearing 6204-2rs   | 1   |
| 48   | SAC2420EV2.48      | Oil Seal 20*40*7   | 1   |
| 49   | SAC2420EV4110V-49  | Tank 24ltr (110V Version) <b>'for SAC2420E110V only'</b>                 | 1   |
| 49   | SAC5020EV4110V-49  | Tank 50ltr (110V Version) <b>'for SAC5020E110V only'</b>                 | 1   |
| 50   | SN10.S             | Steel Nut M10 Zinc   | 2   |
| 51   | FWM10.S            | Flat Washer M10 Zinc   | 2   |
| 52   | SAC2420EV3-52      | Wheel,Fixed Plastic (D:170 W:40 B:12) <b>'for SAC2420E110V only'</b>     | 2   |
| 52   | SAC5030VE.V3-84    | Wheel, fixed plastic (D:150 W:32 B:12) <b>'for SAC5020E110V only'</b>    | 2   |
| 53   | SAC5020EV2.53      | Wheel Bolt, M10 X 55, 18mm Thread  | 2   |
| 54   | SAC5030VE2.86      | Drain Valve 3/8"bsp Male   | 2   |
| 55   | SS825.S            | Hex Head Set Screw M8 X 25 Zinc  | 2   |
| 56   | FWM8.S             | Flat Washer M8 Zinc  | 2   |
| 57   | SAC2420EV2.57      | Foot   | 2   |
| 60   | SAC2420EV3110V.49A | Tank Handle for 24ltr Tank (110V version) <b>'for SAC2420E110V only'</b> | 1   |
| 60   | SAC5020EV3110V.49A | Tank Handle for 50ltr Tank (110V version) <b>'for SAC5020E110V only'</b> | 1   |
| 60A  | SAC2420EV2.60      | Handle Grip  | 1   |
| 61   | SAC2420EV2.61      | Exhaust Pipe   | 1   |
| 62   | SAC2420EV2.62      | Safety Valve 1/4" bsp 8bar   | 1   |
| 63   | SAC5030VE2.71      | Pressure Switch 20amp 12bar 175psi                                       | 1   |
| 64   | SAC2420EV2.64      | Regulator  | 1   |
| 65   | AC01               | Coupling Body Male 1/4"BSPT  | 1   |
| 66   | SAC2420EV2.66      | Pressure Gauge 180psi Back Fitting d:42mm                                | 1   |
| 67   | SA1/1414           | Double Male Union 1/4"BSPT to 1/4"BSPT                                   | 1   |
| 68   | SAC2420EV2.68      | Pressure Gauge 180psi Back Fitting d:52mm                                | 1   |
| 69   | SAC2420EV2.69      | Unloading Pipe   | 1   |
| 70   | SAC2420EV2.70      | Brass Nut Deep   | 1   |
| 71   | SAC2420EV2.71      | Check Valve  | 1   |
| 72   | SAC5020E-V4-72A    | Power Lead (110V)  | 1   |

**NOTE:** It is our policy to continually improve products and as such we reserve the right to alter data, specifications and component parts without prior notice. There may be alternative versions of this product, please contact us should you require this information.

**IMPORTANT:** No liability is accepted for incorrect use of product. Spare parts must be fitted by a competent person

**WARRANTY:** Guarantee is 12 months from purchase date, proof of which will be required for any claim.

Sealey Group, Kempson Way, Suffolk Business Park, Bury St Edmunds, Suffolk. IP32 7AR



01284 757500



sales@sealey.co.uk



www.sealey.co.uk