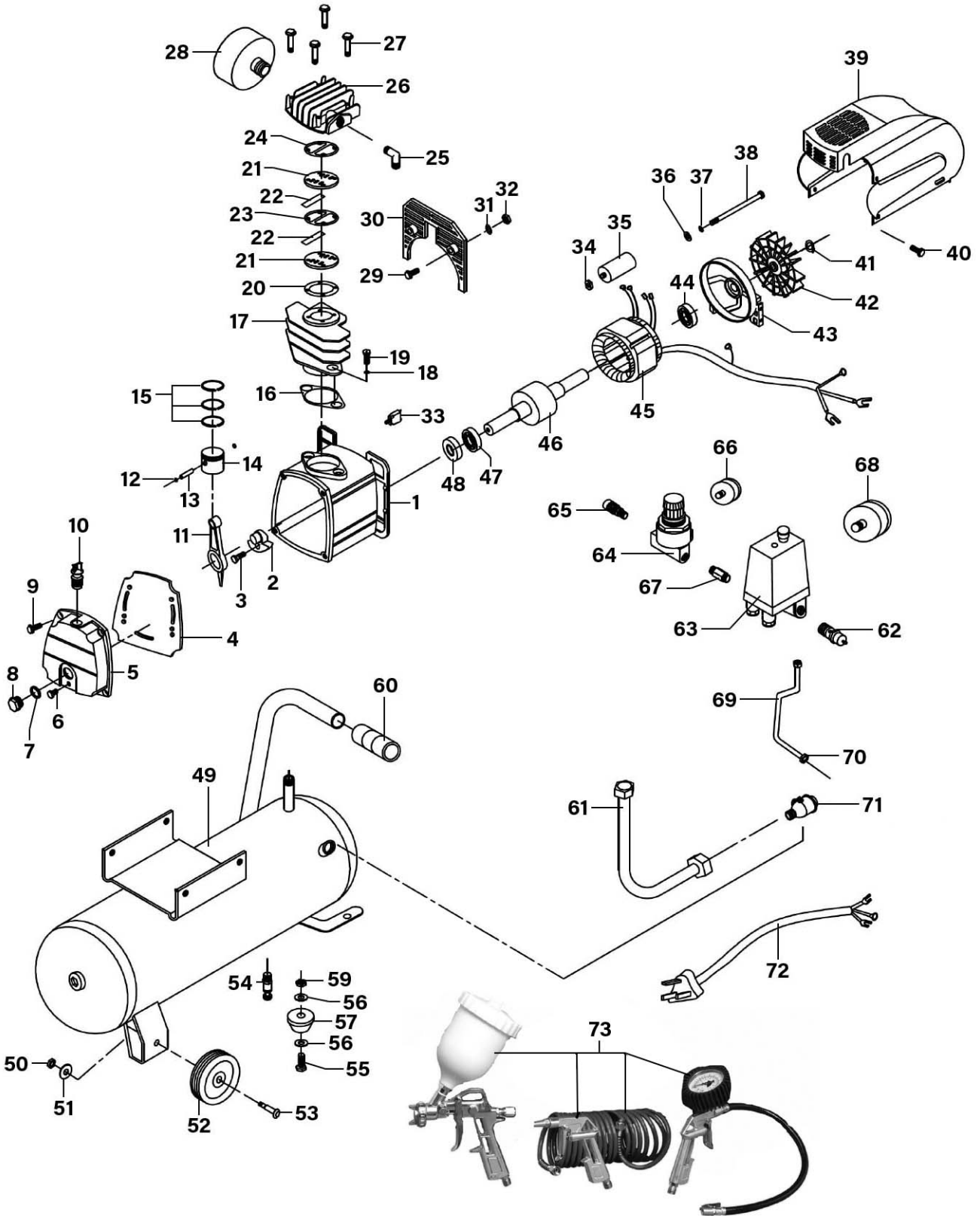




Parts Information:
Air Compressor 24L Direct Drive 2hp
Model No: SAC2420E.V3 &
SAC2420EPK.V2



NOTE: It is our policy to continually improve products and as such we reserve the right to alter data, specifications and component parts without prior notice. There may be alternative versions of this product, please contact us should you require this information.

IMPORTANT: No liability is accepted for incorrect use of product. Spare parts must be fitted by a competent person

WARRANTY: Guarantee is 12 months from purchase date, proof of which will be required for any claim.

Sealey Group, Kempson Way, Suffolk Business Park, Bury St Edmunds, Suffolk. IP32 7AR



01284 757500



01284 703534



sales@sealey.co.uk



www.sealey.co.uk



Parts Information:
Air Compressor 24L Direct Drive 2hp
Model No: SAC2420E.V3 &
SAC2420EPK.V2

Item	Part No.	Description
1	SAC2420EV2.01	Crankcase
2	SAC2420EV2.02	Crankshaft
3	SAC2420EV2.03	Left Hand Thread Socket Cap Bolt M8 X 22mm Black
4	SAC2420EV2.04	Gasket Seal
5	SAC2420EV2.05	Crankcase Cover
6	SFS610.S	Hex Head Flange Bolt M6 X 10 Zinc
7	SAC2420EV2.07	O-Ring
8	SAC2420EV2.08	Oil Sight Glass
9	SFS618.S	Hex Head Flange Bolt M6 X 18
10	SAC2420EV2.10	Breather
11	SAC2420EV2.11	Connecting Rod
12	SAC2420EV2.12	Retaining Clip
13	SAC2420EV2.13	Piston Pin
14	SAC2420EV2.14	Piston
15	SAC2420EV2.15	Piston Rings (Set Of 3)
16	SAC2420EV2.16	Cylinder Gasket
17	SAC2420EV2.17	Cylinder
18	SWM8.S	Spring Washer M8
19	SAC9100010050	Stud Bolt M8 Double Ended
20	SAC0610EV2.17	Valve Gasket
21	SAC2420EV2.21	Valve Plate (Set Of 2)
22	SAC2420EV2.22	Valve Reed
23	SAC2420EV2.23	Valve Plate Gasket
24	SAC2420EV2.24	Cylinder Head Gasket
25	SAC2420EV2.25	Elbow Exhaust 3/8"bsp Male x 3/8"bsp Male
26	SAC2420EV2.26	Cylinder Head
27	SAC2420EV2.27	Bolt
28	SAC2420EV2.28	Air Filter
29	SFS614.S	Hex Head Flange Bolt M6 X 14 Zinc
30	SAC2420EV2.30	Baffle
31	SAC2420EV2.31	Washer
32	NLN5.S	Nyloc Nut M5 Zinc
33	SAC2420EV2.33	Thermal Cut-Out
34	SN8.S	Steel Nut M8 Zinc
35	SAC2420EV2.35	Capacitor (40uf)
36	SAC2420EV2.36	Washer
37	SAC2420EV2.37	Spring Washer
38	SAC2420EV2.38	Bolt

Item	Part No.	Description
39	SAC5020EV2.39	Cover, Pump
40	MSP516.S	Machine Screw Pan Head Phillips M5 x 16mm
41	RE231.V3-15	External Circlip 12.7mm ID.
42	SAC2420EV2.42	Fan
43	SAC2420EV2.43	Rear Bearing Case
44	B/6202-2RS	Bearing 6202-2rs
45	SAC2420EV2.45	Stator
46	SAC2420EV2.46	Rotor
47	B/6204-2RS	Bearing 6204-2rs
48	SAC2420EV2.48	Oil Seal 20*40*7
49	SAC2420E.V3-49	Tank 24ltr
50	SN10.S	Steel Nut M10 Zinc
51	FWM10.S	Flat Washer M10 Zinc
52	SAC2420E.V3-52	Wheel, Fixed Plastic (D:120 W:30 B:12)
53	SAC2420EV2.53	Wheel Bolt
54	SAC2420EV2.54	Drain Valve 3/8"bsp Male
55	SS825.S	Hex Head Set Screw M8 X 25 Zinc
56	FWM8.S	Flat Washer M8 Zinc
57	SAC2420EV2.57	Foot
60	SAC2420EV2.60	Handle Grip
61	SAC2420EV2.61	Exhaust Pipe
62	SAC2420EV2.62	Safety Valve 1/4" bsp 8 Bar
63	SAC5030VE2.71	Pressure Switch 20Amp 12bar 175psi
64	SAC2420EV2.64	Regulator
65	SAC2420EV2.65	Air Flow Coupling 1/4"bsp Male
66	SAC2420EV2.66	Pressure Gauge 180psi Back Fitting d:42mm
67	SAC2420EV2.67	Union 1/4"-m-1/4"m 32mm Long
68	SAC2420EV2.68	Pressure Gauge 180psi Back Fitting d:52mm
69	SAC2420EV2.69	Unloading Pipe
70	SAC2420EV2.70	Brass Nut Deep
71	SAC2420EV2.71	Check Valve
72	SAC2420EV2.72	Power Lead
73	4PCAIRKIT	Airkit 4pc For Inclusion In SAC2420EPK ONLY
--	SA332	Tyre Inflator with Gauge
--	SA334	Air Blow Gun with 1/4"BSP Air Inlet
--	SA335G	PE Coiled Air Hose 5m x Ø5mm with 1/4"BSP Unions - Green
--	SSG501	Spray Gun Gravity Feed 2.2mm Set-Up
--	SAC2420EV2.P	Complete Pump (Not Shown)

NOTE: It is our policy to continually improve products and as such we reserve the right to alter data, specifications and component parts without prior notice. There may be alternative versions of this product, please contact us should you require this information.

IMPORTANT: No liability is accepted for incorrect use of product. Spare parts must be fitted by a competent person

WARRANTY: Guarantee is 12 months from purchase date, proof of which will be required for any claim.

Sealey Group, Kempson Way, Suffolk Business Park, Bury St Edmunds, Suffolk. IP32 7AR



01284 757500



01284 703534



sales@sealey.co.uk



www.sealey.co.uk