

**NOTE:** It is our policy to continually improve products and as such we reserve the right to alter data, specifications and component parts without prior notice. There may be alternative versions of this product, please contact us should you require this information.

**IMPORTANT:** No liability is accepted for incorrect use of product. Spare parts must be fitted by a competent person

**WARRANTY:** Guarantee is 12 months from purchase date, proof of which will be required for any claim.



Parts Information:  
**Compressor 270ltr Belt Drive 2 x 3hp with  
Cast Cylinders**  
**Model No: SAC2276B**

Item	Part No.	Description
1	SAC5010940008	Base Plate
2	SAC5010950008	Base Plate
3	SAC5155200008	Tank 270ltr
4	SAC5160270008	Control Box Support
5	SS830.S	Hex Head Set Screw M8 X 30 Zinc
6	SS1045.S	Hex Head Set Screw M10 X 45 Zinc
7	SFS1020.S	Hex Head Flange Bolt M10 X 20 Zinc
8	MSP512.S	Machine Screw Pan Head Phillips M5 X 12mm
9	SAC7012170000	Screw (m5x8)
10	SN8.S	Steel Nut M8 Zinc
11	SN10.S	Steel Nut M10 Zinc
12	SAC7023050000	Lock nut
13	FWM8.S	Flat Washer M8 Zinc
14	RW625.S	Repair Washer 6 X 25 Zinc
15	RW619.S	Repair Washer M6 X 19 Zinc
16	SAC7030450000	Washer
17	SAC7080130000	Elbow (3/8"bsp Female-1/2"bsp Male
18	SAC7080160000	Elbow 1/2"bsp Male x2
19	SAC7088060000	Connector
20	SAC7090070000	Plug 1/4"

Item	Part No.	Description
21	SAC7110250000	Gauge 250psi, 60mm od, btm Fitting
22	SAC7130150000	Ball valve 1/2"bsp Female-1/2"bsp Male
23	SAC7130160000	Drain Valve 3/8"bsp Male
24	SAC7190090000	Non-Return Valve
24B	SAC7190190000	Non-Return Valve
25	SAC7192090000	Safety Valve 10 Bar 3/8"bsp Male
26	SAC7194030000	Solenoid Valve
27	SAC7237760000	Delivery Pipe
28	SAC7237790000	Delivery Pipe
29	SAC4170130000	Belt Guard Kit
30	SAC4170280000	Belt Guard Kit
31	SAC7250360000	Pressure Switch 20 Amp IP44/41
32	SAC7371260000	Belt, Ribbed (1d-1315)
33	SAC1127380796	Motor (Two Capacitors) (Ext 3hp 230v 50hz)
34	SAC7406350000	Motor Pulley - 155mm Single Belt (Standard)
35	SAC7430120000	Control box
36	SAC7458860000	Belt Guard Support
37	SAC3020041000	Pump Unit
38	SAC7458940000	Belt Guard Support
--	SAC1127430272	Fuse 1a 5x20 Delayed (Not Shown)

**NOTE:** It is our policy to continually improve products and as such we reserve the right to alter data, specifications and component parts without prior notice. There may be alternative versions of this product, please contact us should you require this information.

**IMPORTANT:** No liability is accepted for incorrect use of product. Spare parts must be fitted by a competent person

**WARRANTY:** Guarantee is 12 months from purchase date, proof of which will be required for any claim.

**Sealey Group**, Kempson Way, Suffolk Business Park, Bury St Edmunds, Suffolk. IP32 7AR



01284 757500



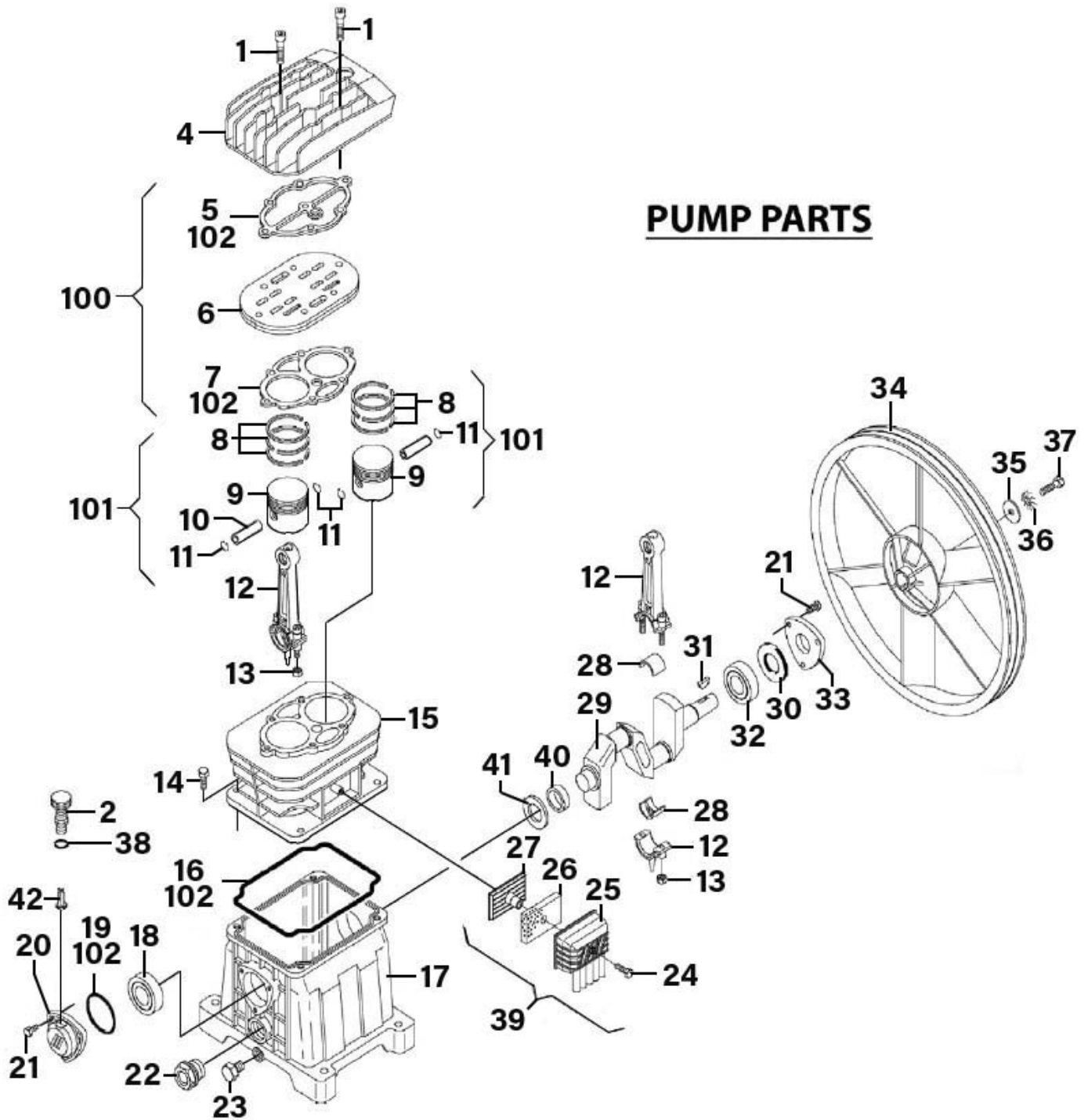
01284 703534



sales@sealey.co.uk



www.sealey.co.uk



**NOTE:** It is our policy to continually improve products and as such we reserve the right to alter data, specifications and component parts without prior notice. There may be alternative versions of this product, please contact us should you require this information.

**IMPORTANT:** No liability is accepted for incorrect use of product. Spare parts must be fitted by a competent person

**WARRANTY:** Guarantee is 12 months from purchase date, proof of which will be required for any claim.



Parts Information:  
**Compressor 270ltr Belt Drive 2 x 3hp with  
 Cast Cylinders**  
**Model No: SAC2276B**

Item	Part No.	Description
		<b>PUMP UNIT</b>
1	SCB835.S	Socket Cap Bolt M8 x 35mm
2	SAC1129700300	Breather Plug
4	SAC5030580008	Head
5	SAC7079470000	Head Gasket
6	SAC9106380000	Valve Plate Kit (Rounded Ends)
7	SAC7079480000	Cylinder Gasket
8	SAC4080120000	Kit Of Piston Rings (3)
9	SAC7220230000	Piston
10	SAC7050180000	Piston Pin
11	SAC7041410000	Ring
12	SAC5050510008	Con-Rod
13	SAC7022030000	Oval Lock Nut M6
14	SS825.S	Hex Head Set Screw M8 X 25 Zinc
15	SAC7575250000	Cylinder
16	SAC7079440000	Gasket
17	SAC5071040008	Crankcase
18	B/6204	Bearing 6204
19	SA6002S.13	O-Ring, (Ex: 47.73 In: 44.17 Cs: 1.78)
20	SAC7151590000	Cover
21	SFS620.S	Hex Head Flange Bolt M6 X 20 Zinc
22	SAC9700000408	Oil Level Gauge
23	SAC7090090000	Plug 1/4"

Item	Part No.	Description
24	SAC7012150000	Rd Head S/T Screw M4.1 X 45
25	SAC7151240000	Intake Filter
26	SAC7210610000	Filter Element
27	SAC7456260000	Valve Plate
28	SAC7062050000	Bearing Shell
29	SAC5041010008	Crankshaft
30	SAC7071150000	Oil Seal
31	SAC7051510000	Key (5x7.5)
32	B/6205	Bearing 6205
33	SAC7151170000	Cover
34	SAC7201010000	Flywheel
35	RW825.S	Repair Washer M8 X 25 Zinc
36	SAC7031010000	Toothed Washer
37	SS825.S	Hex Head Set Screw M8 X 25 Zinc
38	WK025.V2-31	O-Ring, (Ex: 14.43 In: 9.19 Cs: 2.62)
39	SAC4086990000	Intake Filter Kit
40	SAC7031120000	Seal Washer
41	SAC7031110000	Spacer
42	SAC7091270000	Oil Dipstick
100	SAC4082930000	Valve Plate Kit (Rounded -Orange Gasket)
101	SAC4291140000	Piston Group/Kit Of Accessories
102	SAC4082000000	Gasket Set/Kit Of Accessories

**NOTE:** It is our policy to continually improve products and as such we reserve the right to alter data, specifications and component parts without prior notice. There may be alternative versions of this product, please contact us should you require this information.

**IMPORTANT:** No liability is accepted for incorrect use of product. Spare parts must be fitted by a competent person

**WARRANTY:** Guarantee is 12 months from purchase date, proof of which will be required for any claim.

**Sealey Group**, Kempson Way, Suffolk Business Park, Bury St Edmunds, Suffolk. IP32 7AR



01284 757500



01284 703534



sales@sealey.co.uk



www.sealey.co.uk