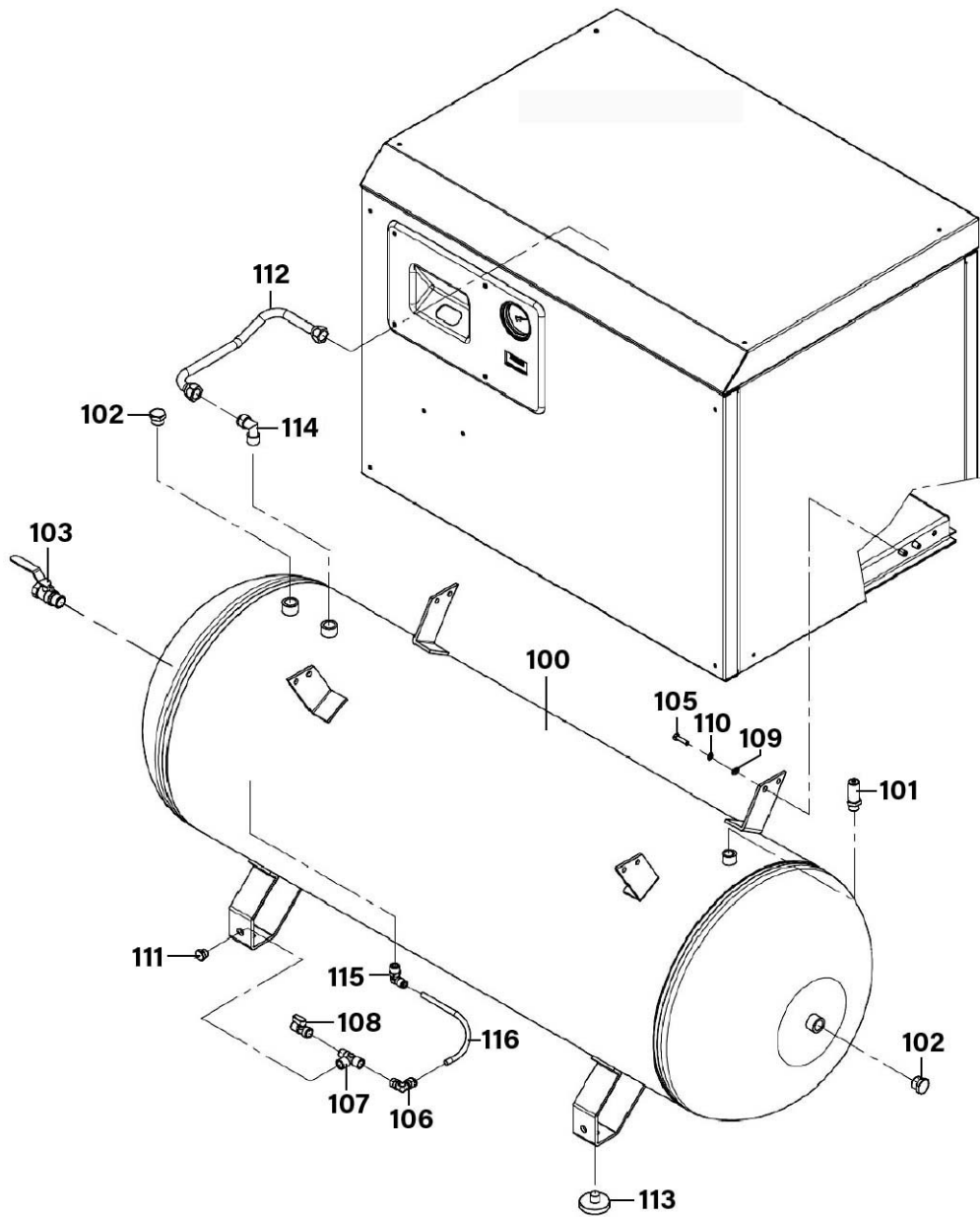


Parts Information:
**Compressor 200ltr Belt Drive 3hp with
 Cast Cylinders Low Noise
 Model No: SAC2203BLN**



| Item | Part No. | Description |
|------|---------------|--|
| 100 | SAC7475890000 | Tank 200ltr |
| 101 | SAC7192090000 | Safety Valve 10bar 3/8"bsp Male |
| 102 | SAC7090030000 | Plug 1/2" |
| 103 | SAC7130150000 | Ball Valve 1/2"bsp Female-1/2"bsp Male |
| 105 | SS625.S | Hex Head Set Screw M6 X 25 Zinc |
| 106 | SAC7080970000 | Elbow 1/4"bsp Male-8mm Pipe |
| 107 | SAC7082050000 | Cross Connector 1/4" |
| 108 | SAC7130170000 | Ball valve 1/4"bsp Female x 2 |

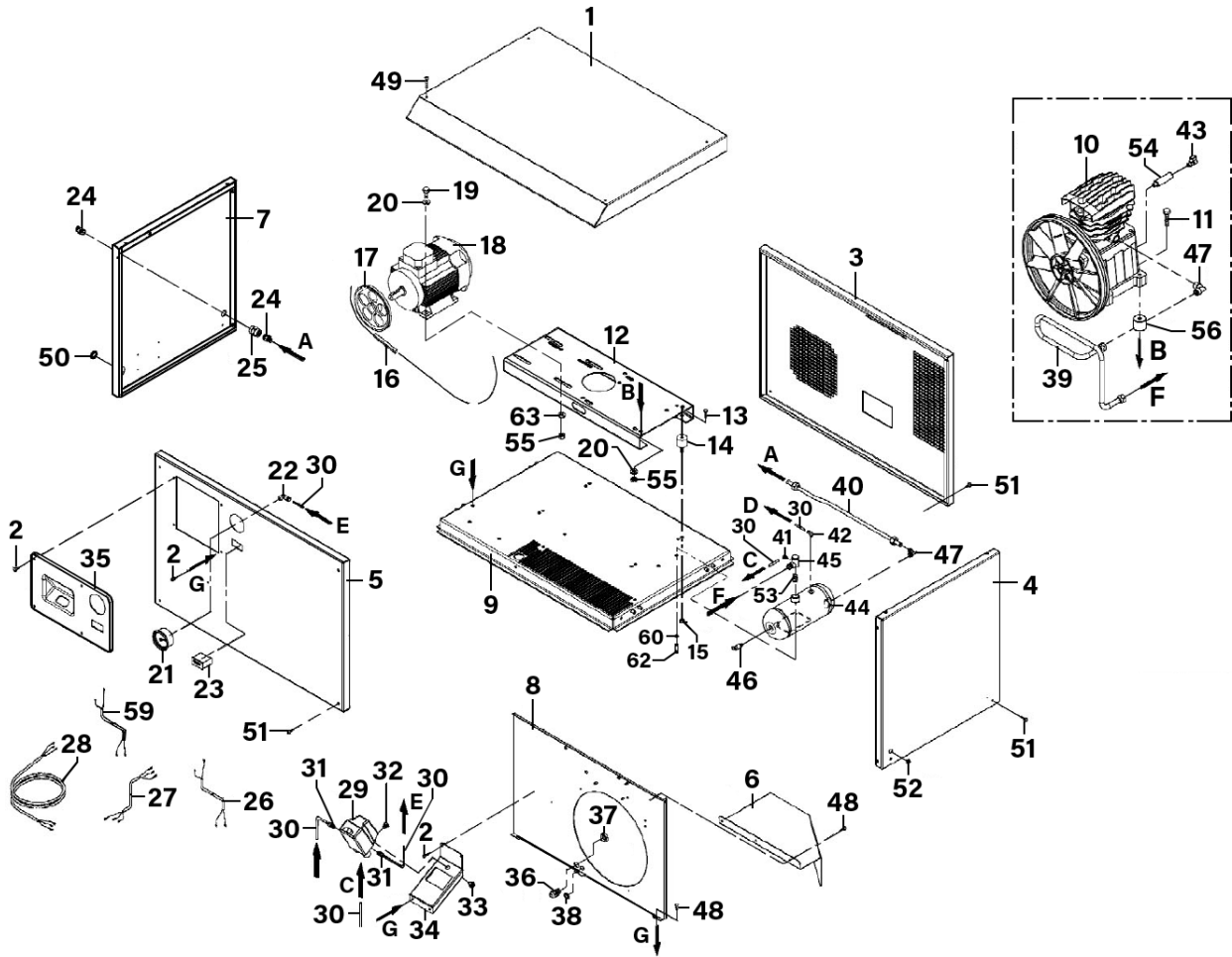
| Item | Part No. | Description |
|------|---------------|-----------------------------|
| 109 | FWM6.S | Flat Washer M6 Zinc |
| 110 | SAC7031030000 | Washer |
| 111 | SAC7090090000 | Plug 1/4" |
| 112 | SAC7239220000 | Delivery Pipe |
| 113 | SAC7360400000 | Rubber Foot |
| 114 | SAC7080160000 | Elbow 1/2"bsp Male x2 |
| 115 | SAC7082820000 | Elbow 3/8"bsp Male-8mm Pipe |
| 116 | SAC7230020000 | Rilsan Hose |

NOTE: It is our policy to continually improve products and as such we reserve the right to alter data, specifications and component parts without prior notice. There may be alternative versions of this product, please contact us should you require this information.

IMPORTANT: No liability is accepted for incorrect use of product. Spare parts must be fitted by a competent person

WARRANTY: Guarantee is 12 months from purchase date, proof of which will be required for any claim.

Parts Information:
**Compressor 200ltr Belt Drive 3hp with
 Cast Cylinders Low Noise
 Model No: SAC2203BLN**



| Item | Part No. | Description |
|------|---------------|----------------------------------|
| 1 | SAC5167290038 | Upper Panel |
| 2 | SAC7014420000 | Skt. Hd Bolt M5x20 |
| 3 | SAC5168940038 | Rear Panel |
| 4 | SAC5168900038 | Side Panel |
| 5 | SAC5168910038 | Front Panel |
| 6 | SAC5169650008 | Cover Support |
| 7 | SAC5167300038 | Side Panel |
| 8 | SAC5167350008 | Middle Panel |
| 9 | SAC5167360008 | Base |
| 10 | SAC3020041000 | Pump Unit |
| 11 | SS1290.S | Hex Head Set Screw M12 X 90 Zinc |
| 12 | SAC5167370008 | Motor/Pump Unit Base |
| 13 | SS810.S | Hex Head Set Screw M8x10 |
| 14 | SAC7364420000 | Shock Absorber |
| 15 | SN8.S | Steel Nut M8 Zinc |
| 16 | SAC7371270000 | Belt, Ribbed (Id-1410) |

| Item | Part No. | Description |
|------|---------------|--|
| 17 | SAC7406350000 | Motor Pulley - 155mm Single Belt (Standard) |
| 18 | SAC1127380796 | Motor (Two Capacitors) (External 3hp 230v 50hz) |
| 19 | SAC7030030000 | Washer M8 |
| 20 | FWM8.S | Flat Washer M8 Zinc |
| 21 | SAC7111030000 | Pressure Gauge |
| 22 | SAC7080890000 | Elbow 1/4"bsp Female-6mm Pipe |
| 23 | SAC7563510000 | Timer |
| 24 | SAC7081311150 | Union 1/2"bsp x 2 ;40mm |
| 25 | SAC7085700000 | Union 1/2"bsp Female x 2 ;26mm |
| 26 | SAC7326650000 | Pressure Switch Cable |
| 27 | SAC7327350000 | Thermal Cable |
| 28 | SAC7328800000 | Pressure Switch Cable |
| 29 | SAC4084830000 | Pressure Switch/Kit Of Accessories 8/10bar 10/16am |
| 30 | SAC7230010000 | Rislan Hose (Sold Per 1 Metre) |
| 31 | SAC7084220000 | Fitting |

NOTE: It is our policy to continually improve products and as such we reserve the right to alter data, specifications and component parts without prior notice. There may be alternative versions of this product, please contact us should you require this information.

IMPORTANT: No liability is accepted for incorrect use of product. Spare parts must be fitted by a competent person

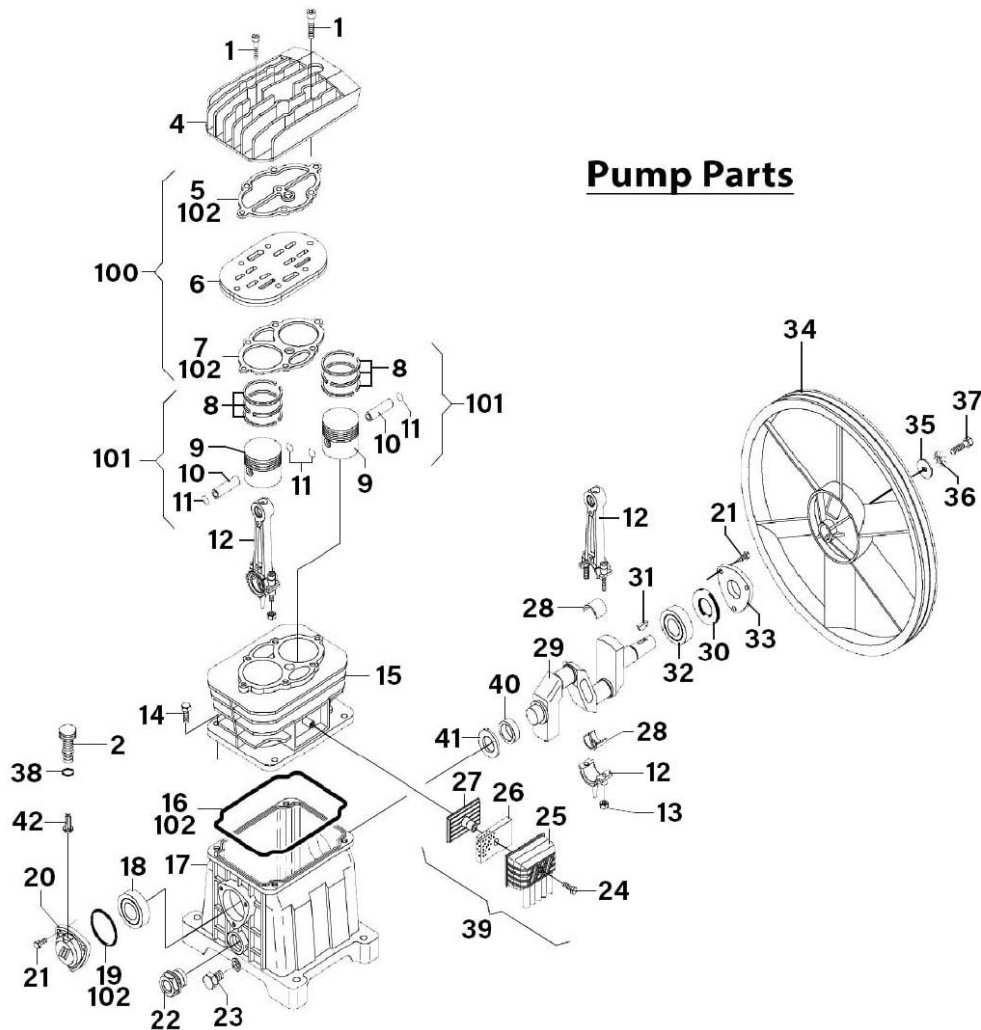
WARRANTY: Guarantee is 12 months from purchase date, proof of which will be required for any claim.



Parts Information:
**Compressor 200ltr Belt Drive 3hp with
 Cast Cylinders Low Noise
 Model No: SAC2203BLN**

| Item | Part No. | Description |
|------|---------------|--|
| 32 | SAC7016070000 | Switch Plug |
| 33 | SAC7090080000 | Plug |
| 34 | SAC5168930008 | Support Bracket For Pressure Switch |
| 35 | SAC7155770000 | Front Panel Cover |
| 36 | SAC7500440000 | Adjustment |
| 37 | SAC7500440010 | Plastic Lock Nut M20x1.5 Fine Pitch |
| 38 | SAC7500070000 | Gland |
| 39 | SAC7235750000 | Delivery Pipe |
| 40 | SAC7234530000 | Delivery Pipe |
| 41 | SAC7080780000 | Elbow 10mm Male-Pipe od;6mm |
| 42 | SAC6006380614 | Elbow 1/4"bsp Male- od:6mm |
| 43 | SAC7130440000 | Ball Valve 1/4"bsp Male-1/4"bsp Female |
| 44 | SAC5156280008 | Tank 2ltr |
| 45 | SAC7190150000 | Non-Return Valve |
| 46 | SAC7192010000 | Safety Valve 10 bar 1/4"bsp Male |

| Item | Part No. | Description |
|------|----------------|---|
| 47 | SAC70801600000 | Elbow 1/2"bsp Male x2 |
| 48 | MSP516.S | Machine Screw Pan Head Phillips M5 x 16mm |
| 49 | SCB580.S | Socket Cap Bolt M5 x 80mm |
| 50 | SAC75000600000 | Gland |
| 51 | SAC70144500000 | Screw (M5x50) |
| 52 | SAC70911600000 | Plastic Plug |
| 53 | SAC70810100000 | Union 1/2"bsp Male x2 l;33mm |
| 54 | SAC70189900000 | Union 1/4"bsp Male-1/4"bsp Female l;78mm |
| 55 | SN8.S | Steel Nut M8 Zinc |
| 56 | SAC70630600000 | Spacer |
| 59 | SAC73272800000 | Cable |
| 60 | FWM6.S | Flat Washer M6 Zinc |
| 62 | SS625.S | Hex Head Set Screw M6 X 25 Zinc |
| 63 | RW825.S | Repair Washer M8 X 25 Zinc |



NOTE: It is our policy to continually improve products and as such we reserve the right to alter data, specifications and component parts without prior notice. There may be alternative versions of this product, please contact us should you require this information.

IMPORTANT: No liability is accepted for incorrect use of product. Spare parts must be fitted by a competent person

WARRANTY: Guarantee is 12 months from purchase date, proof of which will be required for any claim.

Sealey Group, Kempson Way, Suffolk Business Park, Bury St Edmunds, Suffolk. IP32 7AR



01284 757500



01284 703534



sales@sealey.co.uk



www.sealey.co.uk



Parts Information:
**Compressor 200ltr Belt Drive 3hp with
Cast Cylinders Low Noise
Model No: SAC2203BLN**

| Item | Part No. | Description |
|------|---------------|--|
| 1 | SCB835.S | Socket Cap Bolt M8 x 35mm |
| 2 | SAC1129700300 | Breather Plug |
| 4 | SAC5030580008 | Head |
| 5 | SAC7079470000 | Head Gasket |
| 6 | SAC9106380000 | Valve Plate Kit (Rounded Ends) |
| 7 | SAC7079480000 | Cylinder Gasket |
| 8 | SAC4080120000 | Kit Of Piston Rings (3) |
| 9 | SAC7220230000 | Piston |
| 10 | SAC7050180000 | Piston Pin |
| 11 | SAC7041410000 | Ring |
| 12 | SAC5050510008 | Con-Rod |
| 13 | SAC7022030000 | Oval Lock Nut M6 |
| 14 | SS825.S | Hex Head Set Screw M8 X 25 Zinc |
| 15 | SAC7575250000 | Cylinder |
| 16 | SAC7079440000 | Gasket |
| 17 | SAC5071040008 | Crankcase |
| 18 | B/6204 | Bearing 6204 |
| 19 | SA6002S.13 | O-Ring, (Ex: 47.73 In: 44.17 Cs: 1.78) |
| 20 | SAC7151590000 | Cover |
| 21 | SFS620.S | Hex Head Flange Bolt M6 X 20 Zinc |
| 22 | SAC9700000408 | Oil Level Gauge |
| 23 | SAC7090090000 | Plug 1/4" |

| Item | Part No. | Description |
|------|---------------|--|
| 24 | SAC7012150000 | Rd Head S/T Screw M4.1 X 45 |
| 25 | SAC7151240000 | Intake Filter |
| 26 | SAC7210610000 | Filter Element |
| 27 | SAC7456260000 | Valve Plate |
| 28 | SAC7062050000 | Bearing Shell |
| 29 | SAC5041010008 | Crankshaft |
| 30 | SAC7071150000 | Oil Seal |
| 31 | SAC7051510000 | Key (5x7.5) |
| 32 | B/6205 | Bearing 6205 |
| 33 | SAC7151170000 | Cover |
| 34 | SAC7201010000 | Flywheel |
| 35 | RW825.S | Repair Washer M8 X 25 Zinc |
| 36 | SAC7031010000 | Toothed Washer |
| 37 | SS825.S | Hex Head Set Screw M8 X 25 Zinc |
| 38 | WK025.V2-31 | O-Ring, (Ex: 14.43 In: 9.19 Cs: 2.62) |
| 39 | SAC4086990000 | Intake Filter Kit |
| 40 | SAC7031120000 | Seal Washer |
| 41 | SAC7031110000 | Spacer |
| 42 | SAC7091270000 | Oil Dipstick |
| 100 | SAC4082930000 | Valve Plate Kit (Rounded -Orange Gasket) |
| 101 | SAC4291140000 | Piston Group/Kit Of Accessories |
| 102 | SAC4082000000 | Gasket Set/Kit Of Accessories |

NOTE: It is our policy to continually improve products and as such we reserve the right to alter data, specifications and component parts without prior notice. There may be alternative versions of this product, please contact us should you require this information.

IMPORTANT: No liability is accepted for incorrect use of product. Spare parts must be fitted by a competent person

WARRANTY: Guarantee is 12 months from purchase date, proof of which will be required for any claim.

Sealey Group, Kempson Way, Suffolk Business Park, Bury St Edmunds, Suffolk. IP32 7AR



01284 757500



01284 703534



sales@sealey.co.uk



www.sealey.co.uk