

**NOTE:** It is our policy to continually improve products and as such we reserve the right to alter data, specifications and component parts without prior notice. There may be alternative versions of this product, please contact us should you require this information.

**IMPORTANT:** No liability is accepted for incorrect use of product. Spare parts must be fitted by a competent person

**WARRANTY:** Guarantee is 12 months from purchase date, proof of which will be required for any claim.



Parts Information:  
**Air Compressor 100L Belt Drive 3hp with  
Cast Cylinders & Wheels  
Model No: SAC2103B**

Item	Part No.	Description
1	SAC3020041000	Pump Unit
2	SAC5010940008	Base Plate
3	SAC5140100008	Handle
4	SAC5159151008	Tank
5	SS825.S	Hex Head Set Screw M8 x 25mm
6	SS830.S	Hex Head Set Screw M8 x 30mm
7	SS1045.S	Hex Head Set Screw M10 x 45mm
8	HHB1280.S	Hex Head Bolt M12 x 80mm
9	SFS1020.S	Hex Head Flange Bolt M10 x 20mm
10	MSP512.S	Machine Screw Pan Head Phillips M5 x 12mm
11	SN12.S	Steel Nut M12
12	SN8.S	Steel Nut M8
13	SN10.S	Steel Nut M10
16	FWM12.S	Flat Washer M12
17	RW1235.S	Repair Washer M12 x 35mm
18	SAC7080140000	Elbow
19	SAC7080160000	Elbow
20	SAC7090030000	Plug
21	SAC7130150000	Ball Valve
22	SAC7130160000	Drain Valve
23	SAC7190190000	Non-Return Valve
24	SAC7192090000	Safety Valve
25	SAC7230010000	Rislan Hose
26	SAC7235260000	Delivery Pipe

Item	Part No.	Description
27	SAC4170130000	Belt Guard Kit
28	SAC7260030000	Wheel, Swivel Castor
29	SAC7260470000	Wheel
30	SAC7330010000	Wheel Spacer
31	SAC7371260000	Belt
32	SAC1127380796	Motor
33	SAC7406350000	Motor Pulley
34	SAC7458860000	Belt Guard Support
35	SAC7458940000	Belt Guard Support
36	SAC7459260000	Belt Guard Support
50	SAC4057620000	Pressure Switch Kit (c/w Cable & Gauges)
51	SAC7023050000	Lock Nut
52	SAC7081090000	Union
53	SAC7088060000	Connector
54	SAC7090090000	Plug
55	SAC7100640000	Pressure Reducer
56	SAC7110240000	Pressure Gauge
57	SAC9700001789	Pressure Gauge
58	SAC7130570000	Coupling Body
59	SAC7250360000	Pressure Switch
60	SAC7329010000	Power Cable
--	FWM8.S	Flat Washer M8 (Not Shown)
--	RW625.S	Repair Washer M6 x 25mm (Not Shown)

**NOTE:** It is our policy to continually improve products and as such we reserve the right to alter data, specifications and component parts without prior notice. There may be alternative versions of this product, please contact us should you require this information.

**IMPORTANT:** No liability is accepted for incorrect use of product. Spare parts must be fitted by a competent person

**WARRANTY:** Guarantee is 12 months from purchase date, proof of which will be required for any claim.

**Sealey Group**, Kempson Way, Suffolk Business Park, Bury St Edmunds, Suffolk. IP32 7AR



01284 757500



01284 703534

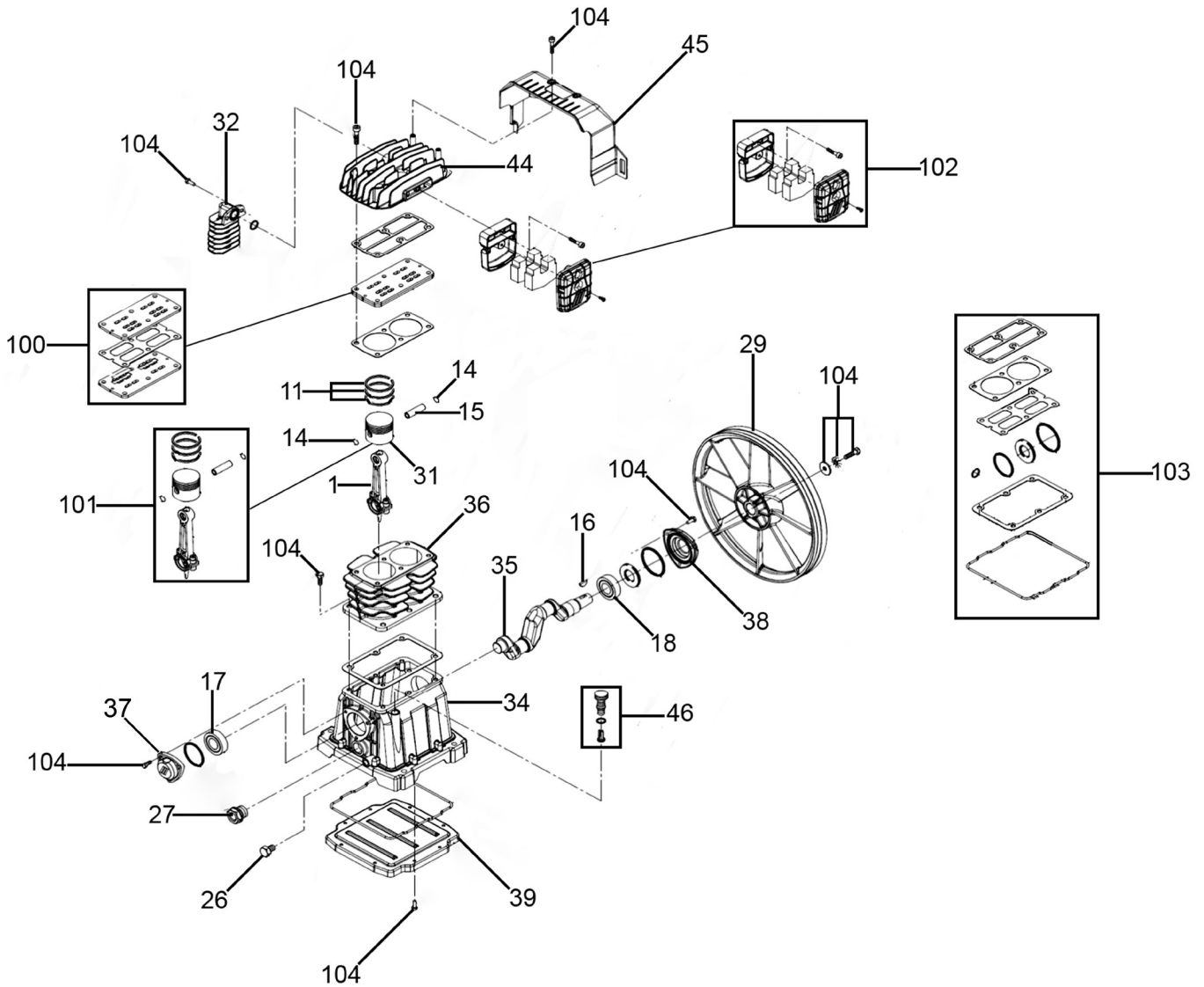


sales@sealey.co.uk



www.sealey.co.uk

Parts Information:  
**Air Compressor 100L Belt Drive 3hp with  
 Cast Cylinders & Wheels  
 Model No: SAC2103B**



Item	Part No.	Description
1	SAC9105450240	Con-Rod
11	SAC4080070000	Piston Ring Set
14	SAC7041410000	Ring
15	SAC7050110000	Piston Pin
16	SAC7051510000	Key
17	B/6205	Bearing
18	SAC7060150000	Bearing
26	SAC7090090000	Plug
27	SAC9700000408	Oil Level Gauge
29	SAC7201010000	Flywheel
31	SAC7220090000	Piston
32	SAC9100270270	Aftercooler
34	SAC9105450010	Crankcase

Item	Part No.	Description
35	SAC9105450250	Crankshaft
36	SAC9105450060	Cylinder
37	SAC9105450070	Front Cover
38	SAC9105450080	Rear Cover
39	SAC9105450090	Bottom Cover
44	SAC9105450180	Head
45	SAC7153140000	Cover
46	SAC9700001377	Vent Plug
100	SAC4231260000	Valve Plate Kit
101	SAC4291070000	Piston Kit
102	SAC4250130000	Intake Filter Kit
103	SAC4081990000	Accessory Kit
104	SAC4080480000	Screw Kit

**NOTE:** It is our policy to continually improve products and as such we reserve the right to alter data, specifications and component parts without prior notice. There may be alternative versions of this product, please contact us should you require this information.

**IMPORTANT:** No liability is accepted for incorrect use of product. Spare parts must be fitted by a competent person

**WARRANTY:** Guarantee is 12 months from purchase date, proof of which will be required for any claim.