

NOTE: It is our policy to continually improve products and as such we reserve the right to alter data, specifications and component parts without prior notice. There may be alternative versions of this product, please contact us should you require this information.

IMPORTANT: No liability is accepted for incorrect use of product. Spare parts must be fitted by a competent person

WARRANTY: Guarantee is 12 months from purchase date, proof of which will be required for any claim.



Parts Information:
Compressor 90L Vertical Belt Drive 3hp
Model No: SAC1903B

Item	Part No.	Description
1	SAC5010140008	Base Plate
2	SAC5150320008	Tank
3	SS825.S	Hex Head Set Screw M8 x 25mm
4	SS1045.S	Hex Head Set Screw M10 x 45mm
5	SFS1020.S	Hex Head Flange Bolt M10 x 20mm
6	MSP512.S	Machine Screw Pan Head Phillips M5 x 12mm
7	SAC7012170000	Screw M5 x 8mm
8	SAC7018290000	Wheel Bolt
9	SN8.S	Steel Nut M8
10	SN10.S	Steel Nut M10
11	SN8.S	Steel Nut M8
12	FWM8.S	Flat Washer M8
13	RW625.S	Repair Washer M6 x 25mm
14	SAC7030120000	Washer
15	RW825.S	Repair Washer M8 x 25mm
16	SAC7080160000	Elbow
17	SAC7080180000	Elbow
18	SAC7081090000	Union
19	SAC7085190000	Fitting
20	SAC7090030000	Plug
21	SAC7130310000	Drain Valve

Item	Part No.	Description
22	SAC7190190000	Non-Return Valve
23	SAC7230010000	Rislan Hose
24	SAC7237000000	Delivery Pipe
25	SAC7240220000	Belt Guard
26	SAC7260290000	Wheel
27	SAC7261040000	Wheel Cover
28	SAC7360250000	Rubber Foot
29	V/A47	V-Belt
30	SAC1127380796	Motor
31	SAC7409570000	Motor Pulley
32	SAC7458510000	Belt Guard Support
33	SAC9101880000	Pump Unit
40	SAC4057690000	Pressure Switch Kit (c/w Cable & Gauge)
41	SAC7081090000	Union
42	SAC7100640000	Pressure Reducer
43	SAC7110240000	Pressure Gauge
44	SAC9700001789	Pressure Gauge
45	SAC7192010000	Safety Valve
46	SAC7250360000	Pressure Switch
47	SAC7329010000	Power Cable

NOTE: It is our policy to continually improve products and as such we reserve the right to alter data, specifications and component parts without prior notice. There may be alternative versions of this product, please contact us should you require this information.

IMPORTANT: No liability is accepted for incorrect use of product. Spare parts must be fitted by a competent person

WARRANTY: Guarantee is 12 months from purchase date, proof of which will be required for any claim.

Sealey Group, Kempson Way, Suffolk Business Park, Bury St Edmunds, Suffolk. IP32 7AR



01284 757500



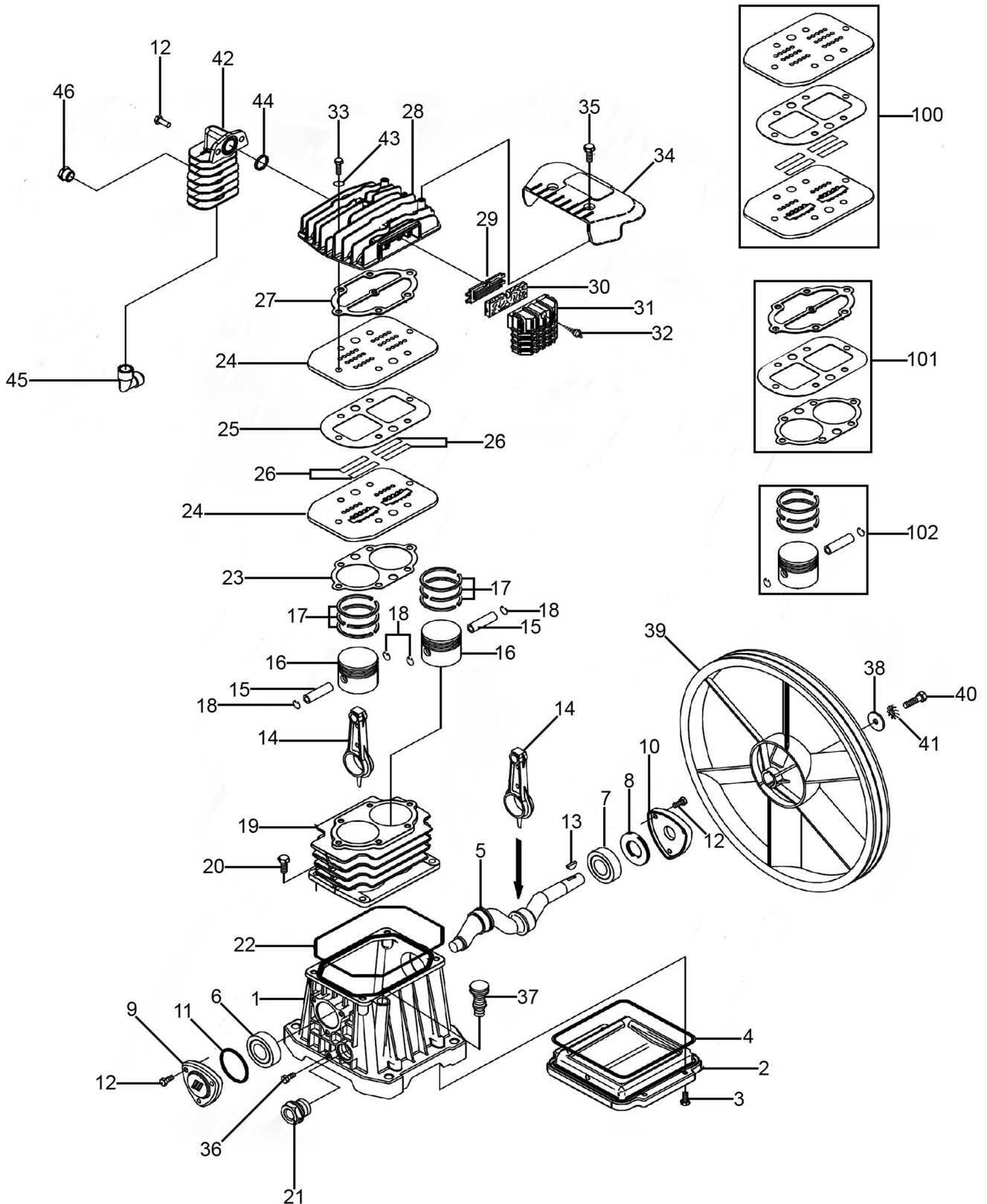
01284 703534



sales@sealey.co.uk



www.sealey.co.uk



NOTE: It is our policy to continually improve products and as such we reserve the right to alter data, specifications and component parts without prior notice. There may be alternative versions of this product, please contact us should you require this information.

IMPORTANT: No liability is accepted for incorrect use of product. Spare parts must be fitted by a competent person

WARRANTY: Guarantee is 12 months from purchase date, proof of which will be required for any claim.



Parts Information:
Compressor 90L Vertical Belt Drive 3hp
Model No: SAC1903B

Item	Part No.	Description
1	SAC9700001075	Crankcase
2	SAC9700001076	Crankcase Cover
3	SAC9700000531	Screw M5 x 12mm
4	SAC9700001077	Crankcase Base Seal
5	SAC9100270140	Crankshaft
6	B/6203	Bearing
7	B/6204	Bearing
8	SAC9100270150	Oil Seal
9	SAC9100270160	Front Cover
10	SAC9100270170	Rear Cover
11	SA36.V2-36	O-Ring
12	SAC7011420000	Screw M6 x 16mm
13	SAC9100280020	Key
14	SAC9100270010	Connection Rod
15	SAC9100270020	Gudgeon Pin
16	SAC9100270030	Piston
17	SAC4080120000	Piston Ring Kit
18	SAC9100270070	Seeger Ring
19	SAC9100270080	Cylinder
20	SFS825.S	Hex Head Flange Bolt M8 x 25mm
21	SAC9100280070	Oil Sight Glass
22	SAC9100270180	Gasket, Cylinder Base
23	SAC9100270190	Gasket
24	SAC9100270090	Valve Plate
25	SAC9100270200	Gasket

Item	Part No.	Description
26	SAC9100280090	Valve
27	SAC9100270210	Gasket
28	SAC9100270100	Cylinder Head
29	SAC7458340000	Plate
30	SAC7210010000	Filter Element
31	SAC9100270240	Intake Filter
32	SAC7012100000	Rd Head S/T Screw M3.8 x 15mm
33	SCB855.S	Socket Cap Bolt M8 x 55mm
34	SAC9100270220	Cover
35	MSP512.S	Machine Screw Pan Head Phillips M5 x 12mm
36	SS616.S	Hex Head Set Screw M6 x 16mm
37	SAC1129700300	Breather Plug
38	RW825.S	Repair Washer M8 x 25mm
39	SAC9100270230	Flywheel
40	SS825.S	Hex Head Set Screw M8 x 25mm
41	SAC7031010000	Toothed Washer
42	SAC9100270270	Aftercooler
43	FWM8.S	Flat Washer M8
44	SAC9100270280	O-Ring
45	SAC7080160000	Elbow
46	SAC9700000693	Plug
100	SAC9700003272	Valve Plate Assembly
101	SAC9700000078	Gasket Kit
102	SAC9700010170	Piston Kit

NOTE: It is our policy to continually improve products and as such we reserve the right to alter data, specifications and component parts without prior notice. There may be alternative versions of this product, please contact us should you require this information.

IMPORTANT: No liability is accepted for incorrect use of product. Spare parts must be fitted by a competent person

WARRANTY: Guarantee is 12 months from purchase date, proof of which will be required for any claim.

Sealey Group, Kempson Way, Suffolk Business Park, Bury St Edmunds, Suffolk. IP32 7AR



01284 757500



01284 703534



sales@sealey.co.uk



www.sealey.co.uk