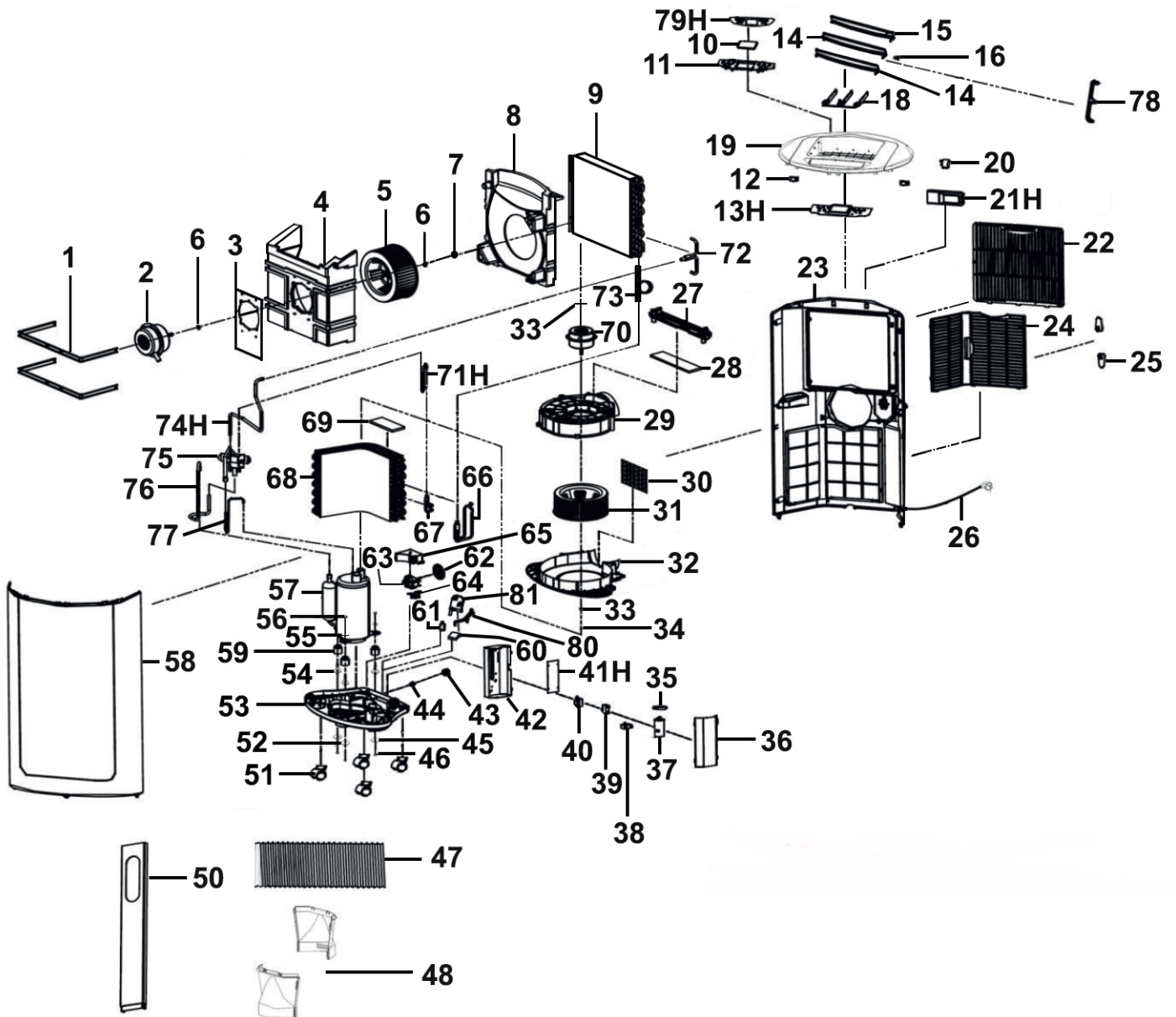




Parts Information:
Air Conditioner/Dehumidifier/Heater
12,000Btu/hr
Model No: SAC12000.V3



NOTE: It is our policy to continually improve products and as such we reserve the right to alter data, specifications and component parts without prior notice. There may be alternative versions of this product, please contact us should you require this information.

IMPORTANT: No liability is accepted for incorrect use of product. Spare parts must be fitted by a competent person

WARRANTY: Guarantee is 12 months from purchase date, proof of which will be required for any claim.

Sealey Group, Kempson Way, Suffolk Business Park, Bury St Edmunds, Suffolk. IP32 7AR



01284 757500



01284 703534



sales@sealey.co.uk



www.sealey.co.uk



Parts Information:
Air Conditioner/Dehumidifier/Heater
12,000Btu/hr
Model No: SAC12000.V3

Item	Part No.	Description
1	SAC12000.01	Motor grip
2	SAC12000.02	Motor (Internal 220-240v 50hz 85w)
3	SAC12000.03	Motor bracket
4	SAC12000.04	Fan cover, front
5	SAC12000.05	Fan
6	SAC12000.06	Metal washer
7	SAC12000.07	Nut
8	SAC12000.08	Fan cover, back
9	SAC12000.09	Evaporator
10	SAC12000.10	Display screen
11	SAC12000.11	Control panel
12	SAC12000.12	Stop block
13H	SAC12000V213H	Display board
14	SAC12000.17	Horizontal vane (lower)
15	SAC12000.15	Horizontal vane (upper)
16	SAC12000.16	Motor shaft
18	SAC12000.18	Vane support
19	SAC12000.19	Top cover
20	SAC12000.20	Step motor
21H	SAC12000V221H	Remote control
22	SAC12000.22	Filter grille
23	SAC12000.23	Back panel
24	SAC12000.24	Filter
25	SAC12000.25	Plug
26	SAC12000.26	Power cord
27	SAC12000.27	Water plate
28	SAC12000.28	Sponge for water tank
29	SAC12000.29	Fan cover, upper
30	SAC12000.30	Plate
31	SAC12000.31	Lower fan
32	SAC12000.32	Fan cover, lower
33	SAC12000.33	Metal washer
34	SAC12000.34	Nut
35	SAC12000.35	Inductance
36	SAC12000.36	Electrical box cover
37	SAC12000.37	Capacitor 35uf 450v 50/60hz
38	SAC12000.38	Lower support for capacitor
39	SAC12000.39	Upper support for capacitor
40	SAC12000.40	Transformer
41H	SAC12000V241H	Main control board

Item	Part No.	Description
42	SAC12000.42	Electrical box
43	SAC12000.43	Water cover
44	SAC12000.44	Water stop
45	SAC12000.45	Metal washer
46	SAC12000.46	Nut
47	SAC12000.47	Exhaust duct
48	SAC12000.V2-48N	Exhaust Duct Connector
48	SAC12000.V2-48R	Exhaust Duct Connector Ring
50	SAC12000.50	Window adaptor (no.15 in instructions)
51	SAC12000.51	Wheel,swivel castor,4 bolt (D:40 W:31 H:54)
52	SAC12000.52	Spring washer
53	SAC12000.53	Base
54	SAC12000.54	Bolt
55	SAC12000.55	Metal washer
56	SAC12000.56	Nut
57	SAC12000.57	Compressor
58	SAC12000.58	Front panel
59	SAC12000.59	Compressor feet
60	SAC12000.60	Float
61	SAC12000.61	Microswitch
62	SAC12000.62	Flywheel for pump
63	SAC12000.63	Water pump
64	SAC12000.64	Motor bracket
65	SAC12000.65	Cover panel for water pump
66	SAC12000.66	Filter & joint tube
67	SAC12000.67	Exhaust duct connector
68	SAC12000.68	Condensor
69	SAC12000.69	Sponge for condensor
70	SAC12000.70	Motor (lower)
71H	SAC12000.71	Pipe for compressor (a)
72	SAC12000.72	Evaporator connector
73	SAC12000.73	Capillary
74H	SAC12000.74	Pipe for compressor (b)
75	SAC12000.75	Valve (4-way)
76	SAC12000.76	Pipe for compressor ©
77	SAC12000.77	Pipe for compressor (d)
78	SAC12000.78	Water drain hose 7.0mm x 2000mm (2 metres)
79H	SAC12000V279H	Control panel label
80	SAC12000.79	Vane Arm
--	SAC12000.37A	Capacitor clip (Not Shown)

NOTE: It is our policy to continually improve products and as such we reserve the right to alter data, specifications and component parts without prior notice. There may be alternative versions of this product, please contact us should you require this information.

IMPORTANT: No liability is accepted for incorrect use of product. Spare parts must be fitted by a competent person

WARRANTY: Guarantee is 12 months from purchase date, proof of which will be required for any claim.

Sealey Group, Kempson Way, Suffolk Business Park, Bury St Edmunds, Suffolk. IP32 7AR



01284 757500



01284 703534



sales@sealey.co.uk



www.sealey.co.uk