

Item	Part No.	Description
1	SAC4057630000	PRESSURE SWITCH KIT 20Amp 15Bar 220Psi
1.1	SAC7090070000	PLUG 1/4"
1.2	SAC9700001789	PRESSURE GAUGE 230 psi, 50mm OD, rear fitting
1.3	SAC7023050000	LOCK NUT
1.4	SAC7088060000	CONNECTOR
1.5	SAC7250670000	PRESSURE SWITCH
1.6	SAC7329010000	POWER CABLE
2	SAC5010140008	BASE PLATE
4	SAC4150380000	MOTOR/PULLEY KIT
5	V/A46	V-BELT
6	SAC7458510000	BELT GUARD SUPPORT

Item	Part No.	Description
7	SAC9110930000	PUMP (AB268)
8	SAC7080160000	ELBOW 1/2"
9	SAC7231690000	DELIVERY PIPE
10	SAC7190090000	NON-RETURN VALVE
11	SAC7230010000	RISLAN HOSE
12	SAC7192090000	SAFETY VALVE
13	SAC5157260008	TANK 150ltr
14	SAC7090030000	PLUG 1/2"
15	SAC7130160000	TAP 3/8"
16	SAC4170160000	BELT GUARD KIT
17	SAC7130150000	TAP 1/2" M/F
18	SAC4080540000	SCREW KIT

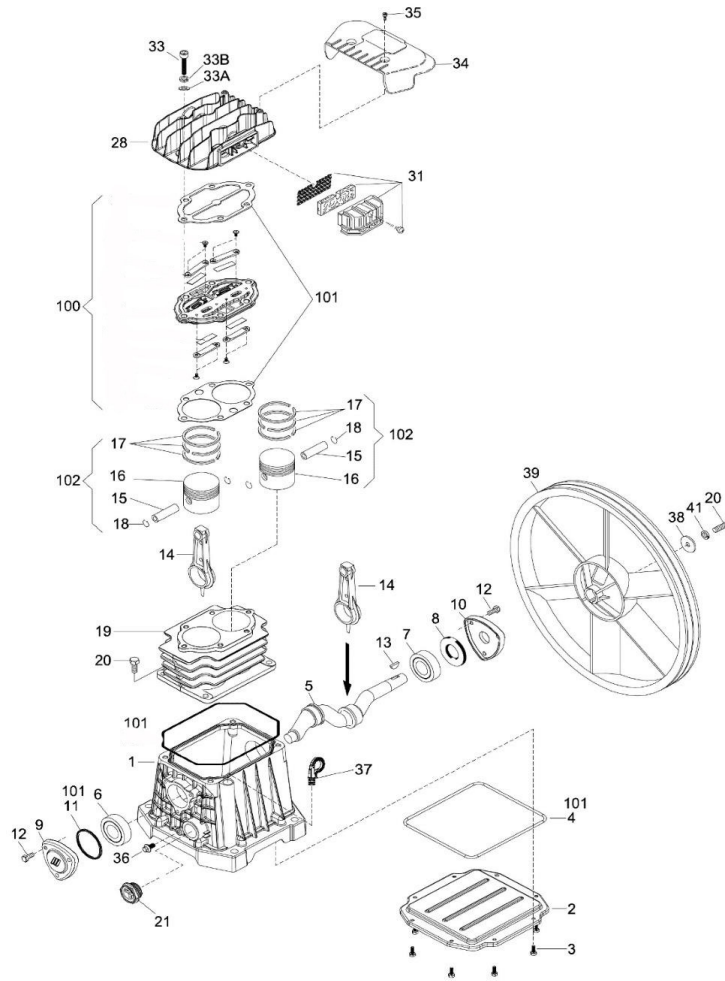
NOTE: It is our policy to continually improve products and as such we reserve the right to alter data, specifications and component parts without prior notice.

IMPORTANT: No liability is accepted for incorrect use of product.

WARRANTY: Guarantee is 12 months from purchase date, proof of which will be required for any claim.



Parts Information:
**Compressor 150ltr Belt Drive 2hp with Cast
 Cylinders**
Model No: SAC0152B.V2



Item	Part No.	Description
1	SAC9700001075	CRANKCASE (SO)
2	SAC9700001076	CRANKCASE COVER
3	SAC9700000531	SCREW (M5x12)
5	SAC9100270140	CRANKSHAFT
6	B/6203	BEARING 6203
7	B/6204	BEARING 6204
8	SAC9100270150	OIL SEAL
9	SAC9100270160	FRONT COVER
10	SAC9100270170	REAR COVER (SO)
12	SAC7011420000	SCREW (M6x16) (SO)
13	SAC9100280020	KEY
14	SAC9100280030	CON-ROD
15	SAC9100020080	PISTON PIN
16	SAC9100020120	PISTON
17	SAC4080030000	PISTON RING SET
19	SAC7575480000	CYLINDER
20	SAC7012220000	SCREW (SO)

Item	Part No.	Description
21	SAC9700000408	OIL LEVEL GAUGE
28	SAC7570140000	HEAD
31	SAC9700000843	INTAKE FILTER SET
33	SCB835.S	SOCKET HEAD CAP SCREW M8x35
33A	FWM8.S	FLAT WASHER M8 SINGLE
33B	SAC9700010087	WASHER
34	SAC9100270220	COVER
35	MSP512.S	MACHINE SCREW PAN HEAD PHILLIPS M5x12mm
36	SS616.S	HEX HEAD SET SCREW M6x16mm SINGLE
37	SAC9700000300	BREATHER PLUG
38	RW825.S	REPAIR WASHER M8x25 (SINGLE)
39	SAC9100270230	FLYWHEEL
41	SAC9700010087	WASHER
100	SAC9700003272	VALVE PLATE ASS'Y
101	SAC9700003271	GASKET SET
102	SAC4291030000	PISTON GROUP

NOTE: It is our policy to continually improve products and as such we reserve the right to alter data, specifications and component parts without prior notice.

IMPORTANT: No liability is accepted for incorrect use of product.

WARRANTY: Guarantee is 12 months from purchase date, proof of which will be required for any claim.

Sealey Group, Kempson Way, Suffolk Business Park, Bury St Edmunds, Suffolk. IP32 7AR



01284 757500



01284 703534



sales@sealey.co.uk



www.sealey.co.uk