

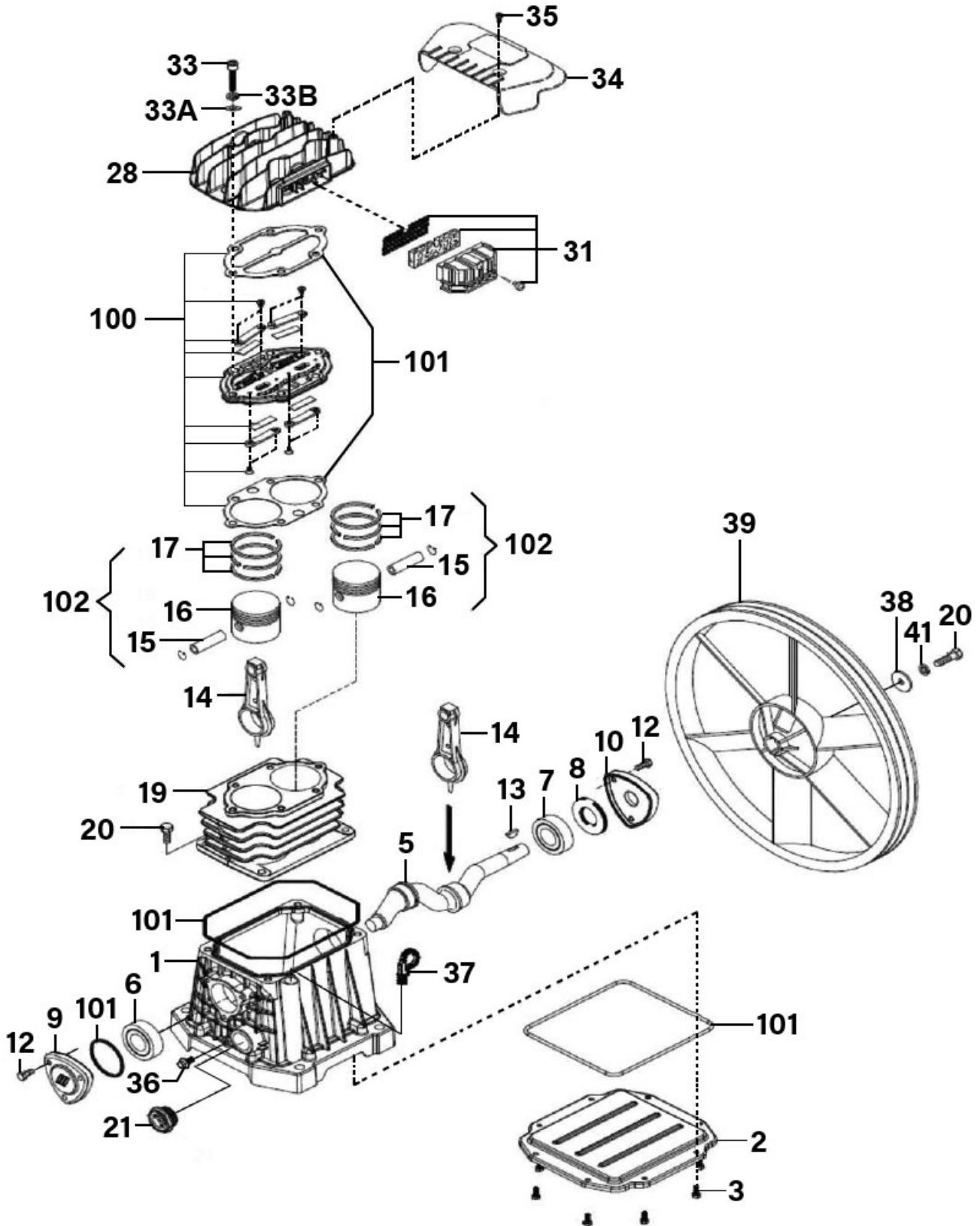
Item	Part No.	Description
1	SAC4057620000	Pressure Switch Kit 16/20amp 12bar 175psi (c/w cable & Gauge
1.1	SAC7023050000	Lock Nut
1.2	SAC7081090000	Union 1/4"bsp m-1/4"bsp m l:25mm
1.3	SAC7088060000	Connector
1.4	SAC7090090000	Plug 1/4"
1.5	SAC7100640000	Pressure Reducer
1.6	SAC7110240000	Pressure gauge 240psi, 43mm od, rear fitting
1.7	SAC9700001789	Pressure Gauge 230 psi, 50mm od, Rear Fitting
1.8	SAC7250670000	Pressure Switch 20amp IP44
1.9	SAC7329010000	Power Cable
2	SAC4083020000	Wheel, Pair, Fixed, Plastic W/Fixings (D:174 W:41 B:20)
3	SAC4083050000	Wheel Castor Single Bolt, C/W Fixings (D:80 W:23 H:125)
4	SAC7240220000	Belt Guard

Item	Part No.	Description
5	SAC5010990008	Base Plate
6	SAC5159151008	Tank 100ltr
7	SAC7080160000	Elbow 1/2"bsp Male x2
8	SAC7090030000	Plug 1/2
9	SAC7130160000	Drain Valve 3/8"bsp Male
10	SAC7190090000	Non-Return Valve
11	SAC7192090000	Safety Valve 10bar 3/8"bsp Male
12	SAC7230010000	Risan Hose (Sold Per 1 Metre)
13	SAC7231680000	Delivery Pipe
14	SAC7360020000	End Plug
16	V/A46	V-belt (id-1168) A46
17	SAC7458510000	Belt Guard Support
18	SAC9110930000	Pump (Ab268)
19	SAC7130150000	Ball Valve 1/2"bsp Female-1/2"bsp Male
20	SAC4150380000	Motor/Pulley Kit (External 2hp 220v 50hz)

NOTE: It is our policy to continually improve products and as such we reserve the right to alter data, specifications and component parts without prior notice. There may be alternative versions of this product, please contact us should you require this information.

IMPORTANT: No liability is accepted for incorrect use of product. Spare parts must be fitted by a competent person

WARRANTY: Guarantee is 12 months from purchase date, proof of which will be required for any claim.



NOTE: It is our policy to continually improve products and as such we reserve the right to alter data, specifications and component parts without prior notice. There may be alternative versions of this product, please contact us should you require this information.

IMPORTANT: No liability is accepted for incorrect use of product. Spare parts must be fitted by a competent person

WARRANTY: Guarantee is 12 months from purchase date, proof of which will be required for any claim.



Parts Information:

Air Compressor 100L Belt Drive 2hp with Cast Cylinders & Wheels Model No: SAC0102B.V2

Item	Part No.	Description
1	SAC9700001075	Crankcase
2	SAC9700001076	Crankcase Cover
3	SAC9700000531	Screw (M5x12)
5	SAC9100270140	Crankshaft
6	B/6203	Bearing 6203
7	B/6204	Bearing 6204
8	SAC9100270150	Oil Seal
9	SAC9100270160	Front Cover
10	SAC9100270170	Rear Cover
12	SAC7011420000	Screw (M6x16)
13	SAC9100280020	Key
14	SAC9100280030	Con-Rod
15	SAC9100020080	Piston Pin
16	SAC9100020120	Piston
17	SAC4080030000	Piston Ring Set
19	SAC7575480000	Cylinder
20	SFS825.S	Hex Head Flange Bolt M8 X 25 Zinc

Item	Part No.	Description
21	SAC9700000408	Oil Level Gauge
28	SAC7570140000	Head
31	SAC9700000843	Intake Filter Set
33	SCB835.S	Socket Cap Bolt M8 x 35mm
33A	FWM8.S	Flat Washer M8 Zinc
33B	SAC9700010087	Washer
34	SAC9100270220	Cover
35	MSP512.S	Machine Screw Pan Head Phillips M5 X 12mm
36	SS616.S	Hex Head Set Screw M6 X 16 Zinc
37	SAC9700000300	Breather Plug
38	RW825.S	Repair Washer M8 X 25 Zinc
39	SAC9100270230	Flywheel
41	SAC9700010087	Washer
100	SAC9700003272	Valve Plate Ass'y
101	SAC9700003271	Gasket Set
102	SAC4291030000	Piston Group

NOTE: It is our policy to continually improve products and as such we reserve the right to alter data, specifications and component parts without prior notice. There may be alternative versions of this product, please contact us should you require this information.

IMPORTANT: No liability is accepted for incorrect use of product. Spare parts must be fitted by a competent person

WARRANTY: Guarantee is 12 months from purchase date, proof of which will be required for any claim.

Sealey Group, Kempson Way, Suffolk Business Park, Bury St Edmunds, Suffolk. IP32 7AR



01284 757500



01284 703534



sales@sealey.co.uk



www.sealey.co.uk